



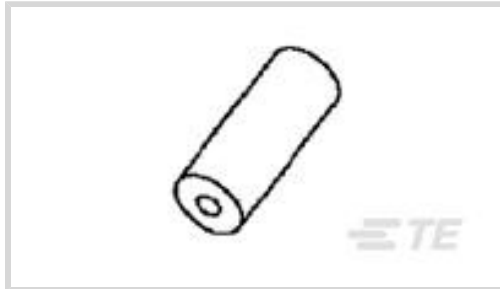
AMP Power Series - 120

TE Internal #: 1604072-3

AMP Power Series - 120, Rectangular Connector Adapters, Reducing Bushing, UL, Operating Voltage 600 VAC, Operating Voltage 600 VDC, UL 94V-0

[View on TE.com >](#)

Connectors > Rectangular Connectors > Rectangular Connector Accessories > Rectangular Connector Adapters > Reducing Bushing: 16-0 AWG



Rectangular Connector Adapter Type: **Reducing Bushing**

Agency/Standard: **UL**

Operating Voltage: **600 VDC**

UL Flammability Rating: **UL 94V-0**

[All Reducing Bushing: 16-0 AWG \(10\)](#)

Features

Product Type Features

Rectangular Connector Adapter Type	Reducing Bushing
Connector System	Wire-to-Wire

Electrical Characteristics

UL Voltage Rating	600 VDC
Operating Voltage	600 VDC

Body Features

Plating Material	Silver
Material	Copper
Plating Thickness (Min)	1.27 µm[50 µin]

Dimensions

Length	21.7 mm[.854 in]
Width	8.5 mm[.334 in]
Height	8.49 mm[.334 in]
Wire Size	21 mm ²

Industry Standards

UL File Number	E28476
UL Rating	Recognized



Agency/Standard	UL
UL Flammability Rating	UL 94V-0

Packaging Features

Packaging Quantity	500
Packaging Method	Bag

Product Compliance

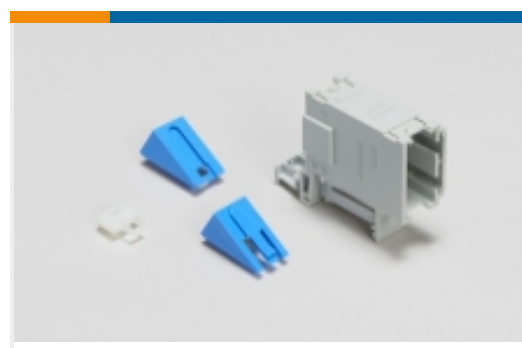
[For compliance documentation, visit the product page on TE.com>](#)

EU RoHS Directive 2011/65/EU	Compliant
EU ELV Directive 2000/53/EC	Compliant
China RoHS 2 Directive MIIT Order No 32, 2016	No Restricted Materials Above Threshold
EU REACH Regulation (EC) No. 1907/2006	Current ECHA Candidate List: JAN 2021 (211) Candidate List Declared Against: JAN 2020 (205) SVHC > Threshold: Not Yet Reviewed
Halogen Content	Low Halogen - Br, Cl, F, I < 900 ppm per homogenous material. Also BFR/CFR/PVC Free
Solder Process Capability	Not applicable for solder process capability

Product Compliance Disclaimer

This information is provided based on reasonable inquiry of our suppliers and represents our current actual knowledge based on the information they provided. This information is subject to change. The part numbers that TE has identified as EU RoHS compliant have a maximum concentration of 0.1% by weight in homogenous materials for lead, hexavalent chromium, mercury, PBB, PBDE, DBP, BBP, DEHP, DIBP, and 0.01% for cadmium, or qualify for an exemption to these limits as defined in the Annexes of Directive 2011/65/EU (RoHS2). Finished electrical and electronic equipment products will be CE marked as required by Directive 2011/65/EU. Components may not be CE marked. Additionally, the part numbers that TE has identified as EU ELV compliant have a maximum concentration of 0.1% by weight in homogenous materials for lead, hexavalent chromium, and mercury, and 0.01% for cadmium, or qualify for an exemption to these limits as defined in the Annexes of Directive 2000/53/EC (ELV). Regarding the REACH Regulation, the information TE provides on SVHC in articles for this part number is based on the latest European Chemicals Agency (ECHA) 'Guidance on requirements for substances in articles' posted at this URL: <https://echa.europa.eu/guidance-documents/guidance-on-reach>

Also in the Series | [AMP Power Series - 120](#)

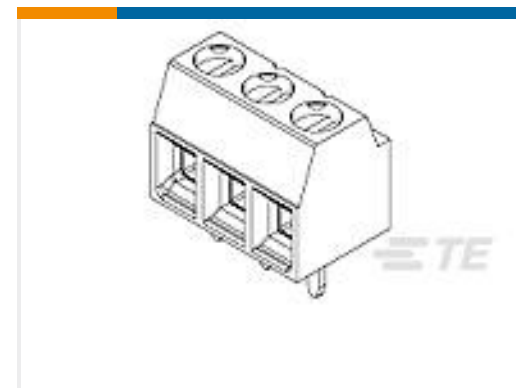
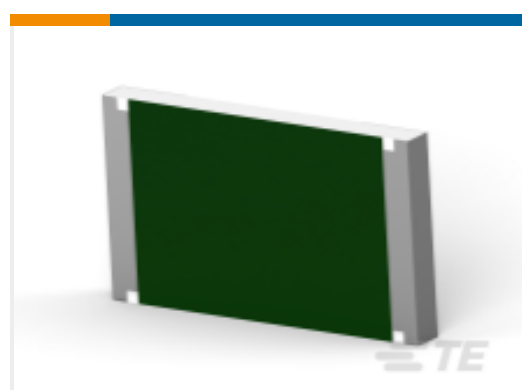
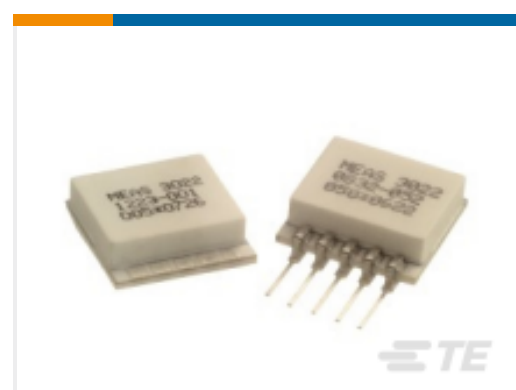
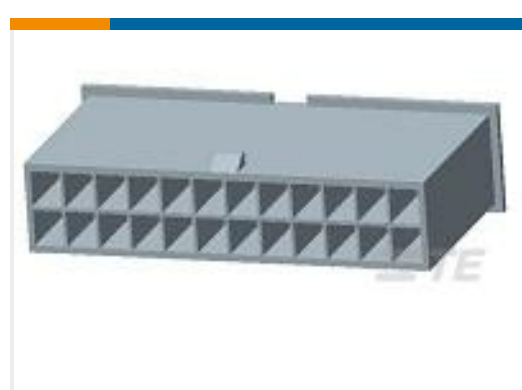


Rectangular Connector Adapters(3)



Rectangular Power Connectors(15)

Customers Also Bought

TE Part #1604072-2
Reducing Bushing: 16-0 AWGTE Part #1-2308342-8
D-SUB BACKSHELL SIZE 3TE Part #2-1618002-3
EV250-1B=RELAY, SPST-NOTE Part #1-1776113-2
12P,3.81MM,SIDE ENTRY,HIGH TMPTE Part #2-2176407-2
3560 100K 1%TE Part #3-1676123-2
1/2W SM M/OX 5% 16RTE Part #3022-100-N
Model 3022 Embedded DC
AccelerometersTE Part #EC6673-000
UV-SCE UV RESISTANT SLEEVESTE Part #2-1969604-4
24P FH PLUG VAL-U-LOK FH GW

Documents

Product Drawings

[REDUCING BUSHING,120A PWR PROD](#)

English

CAD Files

[3D PDF](#)

3D

[Customer View Model](#)

[ENG_CVM_CVM_1604072-3_A.2d_dxf.zip](#)



English

Customer View Model

[ENG_CVM_CVM_1604072-3_A.3d_igs.zip](#)

English

Customer View Model

[ENG_CVM_CVM_1604072-3_A.3d_stp.zip](#)

English

By downloading the CAD file I accept and agree to the [Terms and Conditions](#) of use.

Datasheets & Catalog Pages

[POWER_CONNECTORS_CATALOG_SEC02_CABLE_MOUNTED](#)

English

[2_PIECE_POWER_CONNECTORS_qrg_4-1773458-1](#)

English

Product Specifications

[Application Specification](#)

English