



XFP

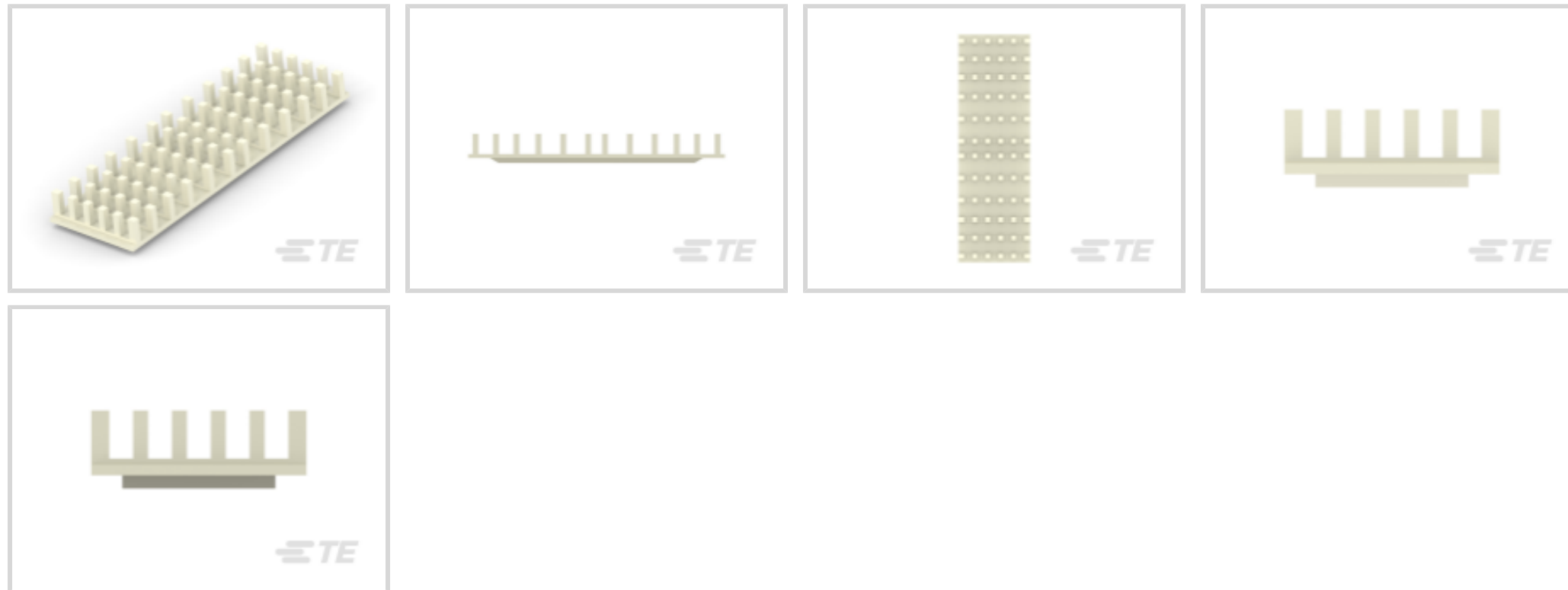
TE Internal #: 1542618-2

XFP, Heat Sinks, XFP, Pin Fin Fin Style, 72 Fins, 10W / 5W / 15W

Power

[View on TE.com >](#)

Connectors > Socket Connectors > IC & Component Socket Accessories > Heat Sinks



Device Type: XFP

Fin Style: Pin Fin

Number of Fins: 72

Power: 5 W, 10 W, 15 W

Features

Product Type Features

Device Type	XFP
Accessory Type	Clip

Configuration Features

Number of Fins	72
----------------	----

Electrical Characteristics

Power	5 W, 10 W, 15 W
-------	-----------------

Body Features

Fin Style	Pin Fin
Material	Aluminum, Cold-Forged Aluminum
Plating Material	Nickel

Product Compliance

[For compliance documentation, visit the product page on TE.com>](#)

EU RoHS Directive 2011/65/EU	Compliant
EU ELV Directive 2000/53/EC	Compliant



China RoHS 2 Directive MIIT Order No 32, 2016	No Restricted Materials Above Threshold
EU REACH Regulation (EC) No. 1907/2006	Current ECHA Candidate List: JAN 2021 (211) Candidate List Declared Against: JUN 2020 (209) SVHC > Threshold: Not Yet Reviewed
Halogen Content	Low Halogen - Br, Cl, F, I < 900 ppm per homogenous material. Also BFR/CFR/PVC Free
Solder Process Capability	Not applicable for solder process capability

Product Compliance Disclaimer

This information is provided based on reasonable inquiry of our suppliers and represents our current actual knowledge based on the information they provided. This information is subject to change. The part numbers that TE has identified as EU RoHS compliant have a maximum concentration of 0.1% by weight in homogenous materials for lead, hexavalent chromium, mercury, PBB, PBDE, DBP, BBP, DEHP, DIBP, and 0.01% for cadmium, or qualify for an exemption to these limits as defined in the Annexes of Directive 2011/65/EU (RoHS2). Finished electrical and electronic equipment products will be CE marked as required by Directive 2011/65/EU. Components may not be CE marked. Additionally, the part numbers that TE has identified as EU ELV compliant have a maximum concentration of 0.1% by weight in homogenous materials for lead, hexavalent chromium, and mercury, and 0.01% for cadmium, or qualify for an exemption to these limits as defined in the Annexes of Directive 2000/53/EC (ELV). Regarding the REACH Regulation, the information TE provides on SVHC in articles for this part number is based on the latest European Chemicals Agency (ECHA) 'Guidance on requirements for substances in articles' posted at this URL: <https://echa.europa.eu/guidance-documents/guidance-on-reach>

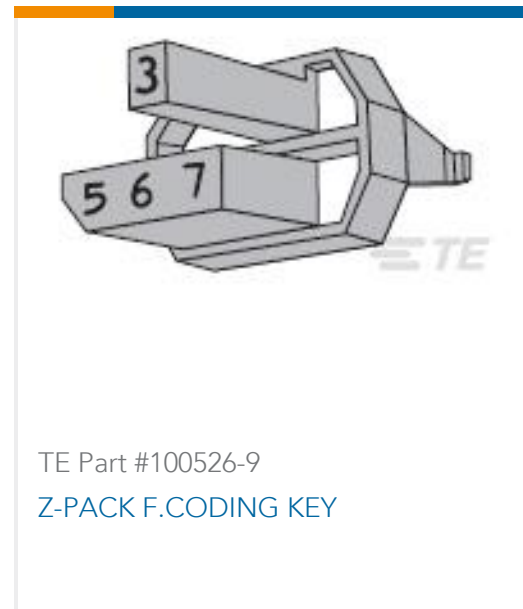
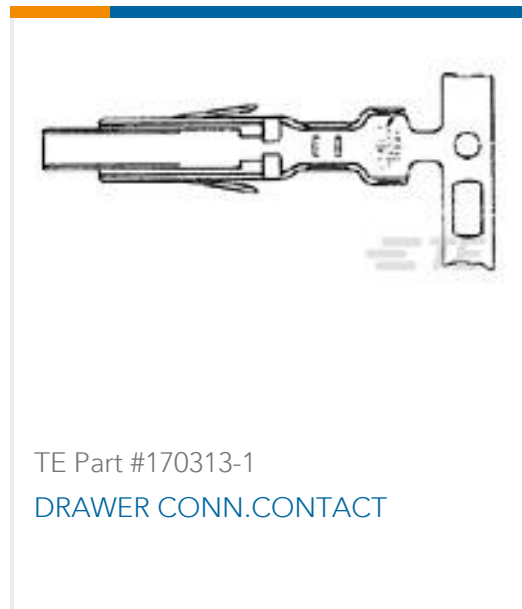
Compatible Parts



Also in the Series | XFP



Customers Also Bought



Documents

Product Drawings

XFP MSA SAN APPLICATION

English

CAD Files

3D PDF

3D

Customer View Model

[ENG_CVM_CVM_1542618-2_L.2d_dxf.zip](#)

English

Customer View Model

[ENG_CVM_CVM_1542618-2_L.3d_igs.zip](#)

English

Customer View Model

[ENG_CVM_CVM_1542618-2_L.3d_stp.zip](#)

English

By downloading the CAD file I accept and agree to the [Terms and Conditions](#) of use.

Datasheets & Catalog Pages



[1773408-1 Pluggable Input/Output Solutions catalog - XFP section](#)

English

[Product Specifications](#)

[Application Specification](#)

English

[Product Environmental Compliance](#)

[TE Material Declaration](#)

English