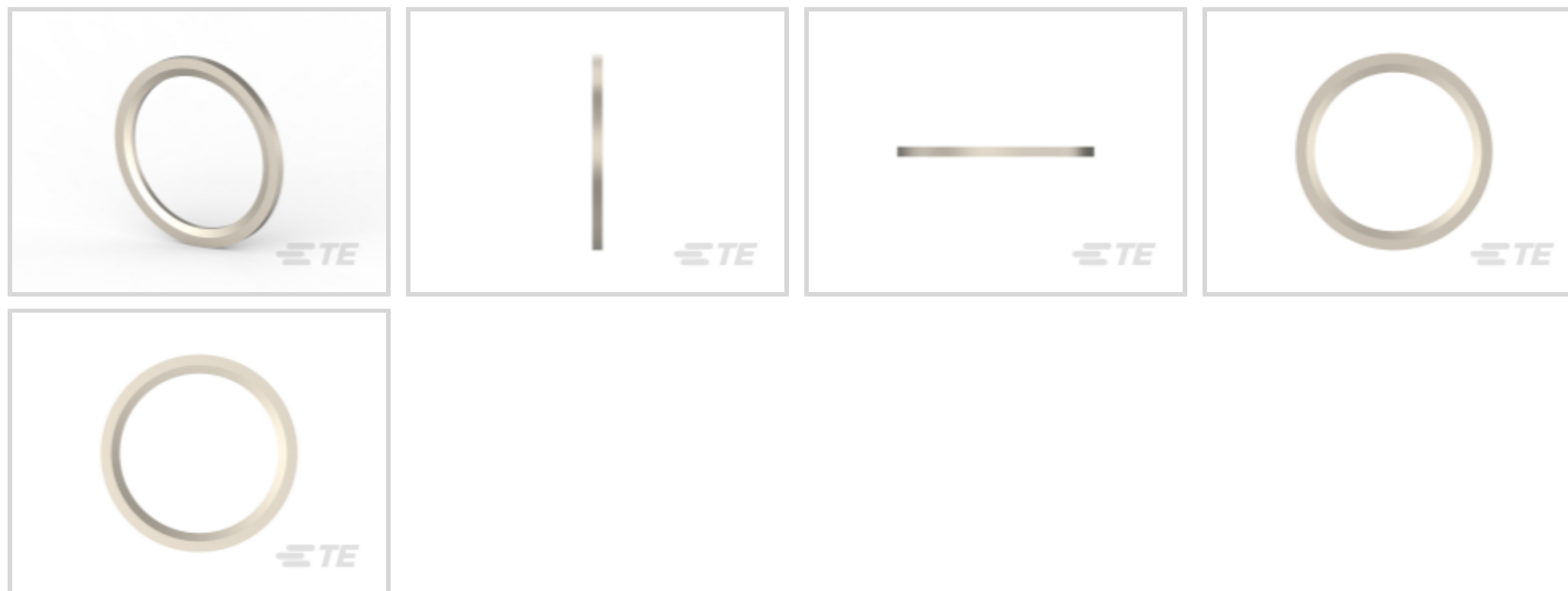




Connectors > RF Coax Connectors > RF Coax Accessories > RF Connector Hardware



RF Connector Hardware Type: **Lockwasher**

### Features

#### Product Type Features

Grade	Commercial
RF Connector Hardware Type	Lockwasher

#### Body Features

Body Material	Steel
Body Plating Material	Nickel

#### Operation/Application

For Use With	ZDC/BNC Connector
--------------	-------------------

#### Packaging Features

Packaging Method	Individual
------------------	------------

### Product Compliance

[For compliance documentation, visit the product page on TE.com>](#)

EU RoHS Directive 2011/65/EU	Compliant
EU ELV Directive 2000/53/EC	Compliant
China RoHS 2 Directive MIIT Order No 32, 2016	No Restricted Materials Above Threshold
EU REACH Regulation (EC) No. 1907/2006	Current ECHA Candidate List: JAN 2021 (211) Candidate List Declared Against: JAN 2021 (211) Does not contain REACH SVHC

Halogen Content

Low Halogen - Br, Cl, F, I < 900 ppm per homogenous material. Also BFR/CFR/PVC Free

Solder Process Capability

Not applicable for solder process capability

Product Compliance Disclaimer

This information is provided based on reasonable inquiry of our suppliers and represents our current actual knowledge based on the information they provided. This information is subject to change. The part numbers that TE has identified as EU RoHS compliant have a maximum concentration of 0.1% by weight in homogenous materials for lead, hexavalent chromium, mercury, PBB, PBDE, DBP, BBP, DEHP, DIBP, and 0.01% for cadmium, or qualify for an exemption to these limits as defined in the Annexes of Directive 2011/65/EU (RoHS2). Finished electrical and electronic equipment products will be CE marked as required by Directive 2011/65/EU. Components may not be CE marked. Additionally, the part numbers that TE has identified as EU ELV compliant have a maximum concentration of 0.1% by weight in homogenous materials for lead, hexavalent chromium, and mercury, and 0.01% for cadmium, or qualify for an exemption to these limits as defined in the Annexes of Directive 2000/53/EC (ELV). Regarding the REACH Regulation, the information TE provides on SVHC in articles for this part number is based on the latest European Chemicals Agency (ECHA) 'Guidance on requirements for substances in articles' posted at this URL: <https://echa.europa.eu/guidance-documents/guidance-on-reach>

## Compatible Parts



TE Part # 1-329632-2  
LOCKWASHER, PLATED

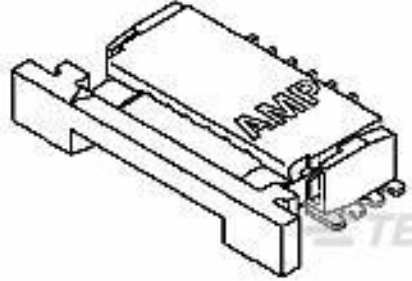
## Customers Also Bought



TE Part #1-1337543-0  
BNC Ins R/A PCB Skt 50Ohm White



TE Part #1-1634612-0  
BNC Ins R/A PCB Skt 50Ohm Black



TE Part #1-84952-5  
1MM FPC HORZ.BTTM CONT.ASS.15P



TE Part #1-1879417-9  
CPF 0603 1M0 0.1% 25PPM 1K RL



TE Part #1-329632-2  
LOCKWASHER, PLATED



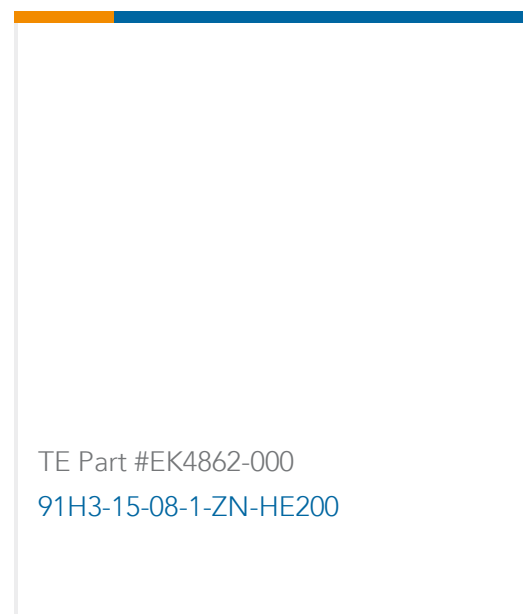
TE Part #1-1478032-0  
BNC Ins R/A PCB Skt 75Ohm White



TE Part #1-1337541-0  
BNC Ins Str PCB Skt 50Ohm White



TE Part #1-1634505-0  
BNC Ins Str PCB Skt 50Ohm Black



## Documents

### Product Drawings

[BNC / TNC Lockwasher](#)

English

### CAD Files

[3D PDF](#)

3D

Customer View Model

[ENG\\_CVM\\_CVM\\_1-1634817-0\\_A1.2d\\_dxf.zip](#)

English

Customer View Model

[ENG\\_CVM\\_CVM\\_1-1634817-0\\_A1.3d\\_igs.zip](#)

English

Customer View Model

[ENG\\_CVM\\_CVM\\_1-1634817-0\\_A1.3d\\_stp.zip](#)

English

By downloading the CAD file I accept and agree to the [Terms and Conditions](#) of use.

### Datasheets & Catalog Pages

[ZDC\\_RF\\_COAX\\_CONNECTOR\\_SERIES\\_50&75\\_OHM](#)

English

### Product Environmental Compliance

[BNC / TNC Lockwasher](#)

English

[BNC / TNC Lockwasher](#)

English