

MULTIGIG RT

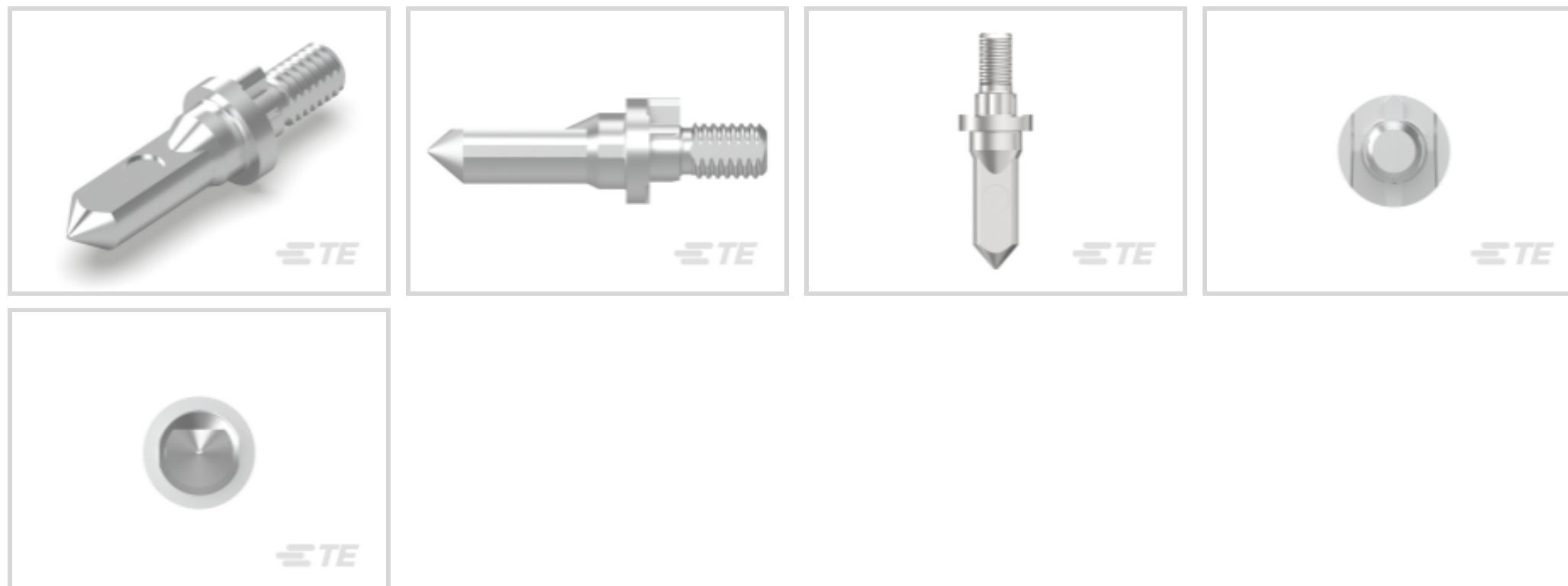
TE Internal #: 1-1410355-2

Backplane Guide Hardware, Guide Pin

[View on TE.com >](#)



Connectors > PCB Connectors > Backplane Connectors > Backplane Guide Hardware



Backplane Guide Hardware Type: **Guide Pin**

Features

Product Type Features

Backplane Guide Hardware Type	Guide Pin
-------------------------------	-----------

Configuration Features

PCB Mount Orientation	Vertical
-----------------------	----------

Body Features

Guide Pin Type	External Thread
----------------	-----------------

Product Compliance

[For compliance documentation, visit the product page on TE.com>](#)

EU RoHS Directive 2011/65/EU	Compliant
EU ELV Directive 2000/53/EC	Not Yet Reviewed
China RoHS 2 Directive MIIT Order No 32, 2016	No Restricted Materials Above Threshold
EU REACH Regulation (EC) No. 1907/2006	Current ECHA Candidate List: JAN 2021 (211) Candidate List Declared Against: JUN 2018 (191) SVHC > Threshold: Not Yet Reviewed
Halogen Content	Low Halogen - Br, Cl, F, I < 900 ppm per homogenous material. Also BFR/CFR/PVC Free
Solder Process Capability	Not reviewed for solder process capability

Product Compliance Disclaimer

This information is provided based on reasonable inquiry of our suppliers and represents our current actual knowledge based on the information they provided. This information is subject to change. The part numbers that TE has identified as EU RoHS compliant have a maximum concentration of 0.1% by weight in homogenous materials for lead, hexavalent chromium, mercury, PBB, PBDE, DBP, BBP, DEHP, DIBP, and 0.01% for cadmium, or qualify for an exemption to these limits as defined in the Annexes of Directive 2011/65/EU (RoHS2). Finished electrical and electronic equipment products will be CE marked as required by Directive 2011/65/EU. Components may not be CE marked. Additionally, the part numbers that TE has identified as EU ELV compliant have a maximum concentration of 0.1% by weight in homogenous materials for lead, hexavalent chromium, and mercury, and 0.01% for cadmium, or qualify for an exemption to these limits as defined in the Annexes of Directive 2000/53/EC (ELV). Regarding the REACH Regulations, TE's information on SVHC in articles for this part number is still based on the European Chemical Agency (ECHA) 'Guidance on requirements for substances in articles' (Version: 2, April 2011), applying the 0.1% weight on weight concentration threshold at the finished product level. TE is aware of the European Court of Justice ruling of September 10th, 2015 also known as O5A (Once An Article Always An Article) stating that, in case of 'complex object', the threshold for a SVHC must be applied to both the product as a whole and simultaneously to each of the articles forming part of its composition. TE has evaluated this ruling based on the new ECHA "Guidance on requirements for substances in articles" (June 2017, version 4.0) and will be updating its statements accordingly.

Compatible Parts

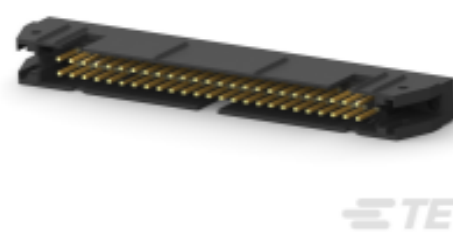


TE Part # 1-1410297-9
MULTIGIG RT KEY/ESD .8" UNKEYED



TE Part # 1410354-7
MULTI-GIG GUIDE PIN, 9MM 2.60

Customers Also Bought



TE Part #1-1658694-1
AMP-LATCH UNIVERSAL HEADERS



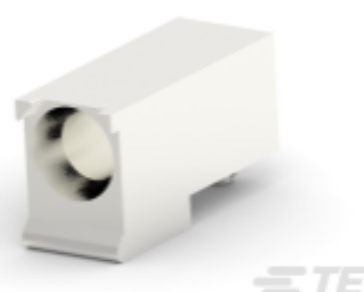
TE Part #1-6450869-4
V/R 2ACP+1LP+32S+3HDP+1LP+1P



TE Part #1-1469491-3
MULTIGIG RT GUIDE PIN, 9MM 4.20



TE Part #1-1410353-8
MULTIGIG RT 9MM GUIDE/ESD 315



TE Part #1-1410353-7
MULTIGIG RT 9MM GUIDE/ESD 270



TE Part #1-1825098-7
TPCF11CGPC004



TE Part #YDTS20Z17-35BAV001
D38999: Square Flange, 17-35 insert



TE Part #1-102666-1
120 MODII 2PC HDR DR SHRD APIN



Documents

Product Drawings

[MULTIGIG RT GUIDE PIN, 9MM 2.60](#)

English

CAD Files

[3D PDF](#)

3D

Customer View Model

[ENG_CVM_CVM_1-1410355-2_A.2d_dxf.zip](#)

English

Customer View Model

[ENG_CVM_CVM_1-1410355-2_A.3d_igs.zip](#)

English

Customer View Model

[ENG_CVM_CVM_1-1410355-2_A.3d_stp.zip](#)

English

By downloading the CAD file I accept and agree to the [Terms and Conditions](#) of use.