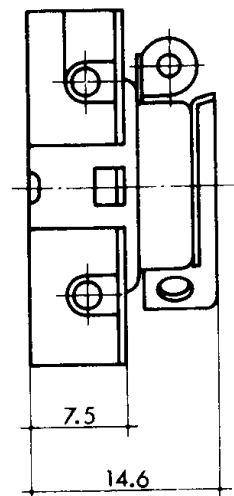
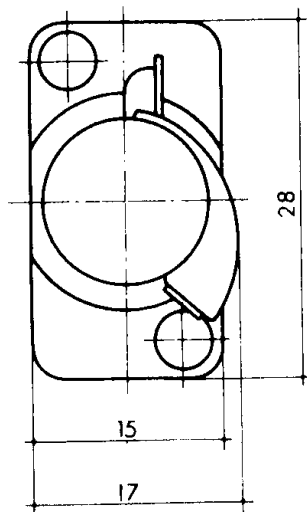

Data sheet

Article Description

Pull Cord Switch Type 3746

2 A, 250 V, 1-pole, T 125° C, on/off-switch,
twin-hole fitting, hole distance 22 mm,
hole size \varnothing 3,4 mm, screw terminals,

Article Picture



<i>inter BÄR-No.</i>	<i>pull cord guide</i>
3746-001.01	front face
3746-002.01	width side

Technical modifications reserved!
Works at 230 V-mains must only be carried out by a specialist!