

1-1971919-1 ✓ ACTIVE

SOLARLOK | SOLARLOK PV4-PM Connector

TE Internal #: 1-1971919-1

SOLARLOK PV4-PM Connector, Solar Connectors & Adapters, DC /AC Converter Receptacle, Plug, Copper Alloy, Neutral, 14AWG Wire Size, 2.5mm² Wire Size

[View on TE.com >](#)



Energy & Power > Solar & Photovoltaics > Solar Connectors & Adapters > SOLARLOK PV4-S DC Crimp Connectors



Solar Connector Type: **DC/AC Converter Receptacle**

Solar Connector Style: **Plug**

Contact Base Material: **Copper Alloy**

Solar Connector & Adapter Keying: **Neutral**

Wire Size: **14 AWG**

[All SOLARLOK PV4-S DC Crimp Connectors \(55\)](#)

Features

Product Type Features

Product Type	Connector
Solar Connector Type	DC/AC Converter Receptacle
Solar Connector Style	Plug

Configuration Features

Solar Connector & Adapter Keying	Neutral
----------------------------------	---------

Contact Features

Contact Finish	Tin
Contact Base Material	Copper Alloy

Housing Features

Housing Color	Black
Housing Material	Polycarbonate (PC)

Dimensions

Wire Size	2.5 mm ²
-----------	---------------------

Packaging Features

Packaging Quantity	1000
--------------------	------

Product Compliance

[For compliance documentation, visit the product page on TE.com>](#)

EU RoHS Directive 2011/65/EU	Compliant
EU ELV Directive 2000/53/EC	Not Yet Reviewed
China RoHS 2 Directive MIIT Order No 32, 2016	No Restricted Materials Above Threshold
EU REACH Regulation (EC) No. 1907/2006	Current ECHA Candidate List: JAN 2021 (211) Candidate List Declared Against: JAN 2021 (211) Does not contain REACH SVHC
Halogen Content	Low Halogen - Br, Cl, F, I < 900 ppm per homogenous material. Also BFR/CFR/PVC Free
Solder Process Capability	Not reviewed for solder process capability

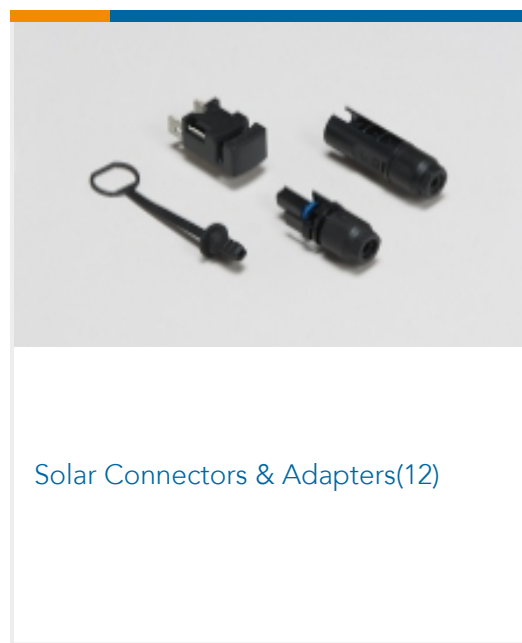
Product Compliance Disclaimer

This information is provided based on reasonable inquiry of our suppliers and represents our current actual knowledge based on the information they provided. This information is subject to change. The part numbers that TE has identified as EU RoHS compliant have a maximum concentration of 0.1% by weight in homogenous materials for lead, hexavalent chromium, mercury, PBB, PBDE, DBP, BBP, DEHP, DIBP, and 0.01% for cadmium, or qualify for an exemption to these limits as defined in the Annexes of Directive 2011/65/EU (RoHS2). Finished electrical and electronic equipment products will be CE marked as required by Directive 2011/65/EU. Components may not be CE marked. Additionally, the part numbers that TE has identified as EU ELV compliant have a maximum concentration of 0.1% by weight in homogenous materials for lead, hexavalent chromium, and mercury, and 0.01% for cadmium, or qualify for an exemption to these limits as defined in the Annexes of Directive 2000/53/EC (ELV). Regarding the REACH Regulation, the information TE provides on SVHC in articles for this part number is based on the latest European Chemicals Agency (ECHA) 'Guidance on requirements for substances in articles' posted at this URL: <https://echa.europa.eu/guidance-documents/guidance-on-reach>

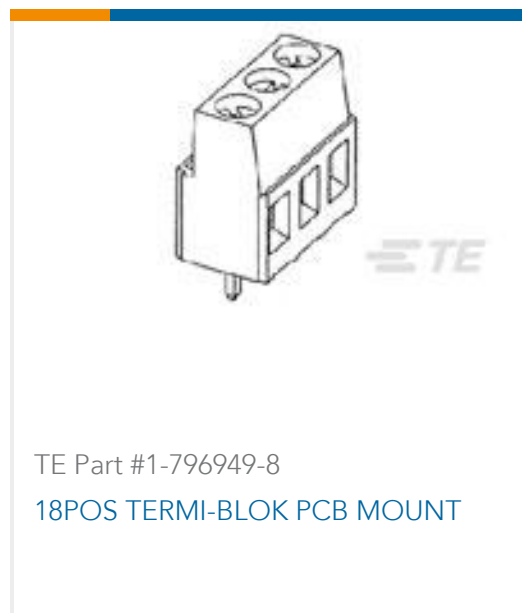
Compatible Parts



Also in the Series | [SOLARLOK PV4-PM Connector](#)



Customers Also Bought



Documents

Product Drawings

PIN CONN. KITS, PV4-PM2.5

English

CAD Files

3D PDF

3D

Customer View Model

ENG_CVM_CVM_1-1971919-1_A.2d_dxf.zip



English

Customer View Model

[ENG_CVM_CVM_1-1971919-1_A.3d_igs.zip](#)

English

Customer View Model

[ENG_CVM_CVM_1-1971919-1_A.3d_stp.zip](#)

English

By downloading the CAD file I accept and agree to the [Terms and Conditions](#) of use.

Datasheets & Catalog Pages

[1-1773888-9 SolarCatalog](#)

English

[SOLARLOK PV4-PM CONNECTOR 1000V DC](#)

English

Product Specifications

[Application Specification](#)

English

Agency Approvals

[TUV Certificate](#)

English

[TUV Certificate](#)

English