

1534404-2 ✓ ACTIVE

AMP | AMP MCP 6.3/4.8K, AMP MCP Connector System

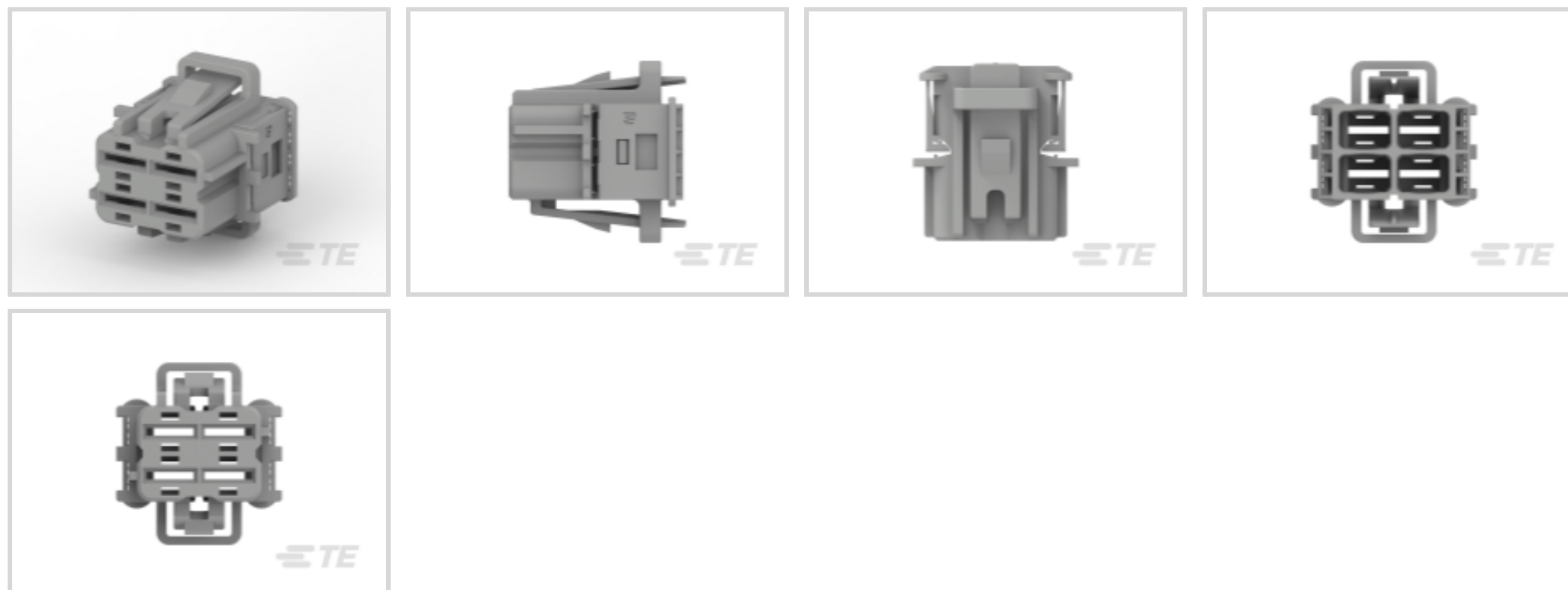
TE Internal #: 1534404-2

Hybrid, Housing for Female Terminals, Wire-to-Device / Wire-to-Wire / Wire-to-Board, 4 Position, 6mm [.236in] Centerline, Gray, Power

[View on TE.com >](#)



Connectors > Automotive Connectors > Connector Housings > AMP MCP, UNSEALED CONNECTOR HOUSING



Connector & Housing Type: **Housing for Female Terminals**

Mating Tab Width: **6.3 mm [ .248 in ]**

Connector System: **Wire-to-Board, Wire-to-Device, Wire-to-Wire**

Number of Positions: **4**

Centerline (Pitch): **6 mm [ .236 in ]**

[All AMP MCP, UNSEALED CONNECTOR HOUSING \(179\)](#)

## Features

### Product Type Features

Connector & Housing Type	Housing for Female Terminals
Connector System	Wire-to-Board, Wire-to-Device, Wire-to-Wire
Sealable	No
Hybrid Connector	No
Primary Locking Feature	On the Terminal

### Configuration Features

Number of Positions	4
Number of Rows	2

### Electrical Characteristics

Operating Voltage	24 VDC
Nominal Voltage Architecture	24 V

### Body Features



Cable Exit Angle	180°
Body Material	PBT GF
Primary Product Color	Gray

#### Contact Features

Mating Tab Width	6.3 mm[.248 in]
------------------	-----------------

#### Mechanical Attachment

Terminal Position Assurance	Yes
Strain Relief	No

#### Housing Features

Centerline (Pitch)	6 mm[.236 in]
--------------------	---------------

#### Dimensions

Product Width	24.36 mm[.959 in]
Product Length	25 mm[.984 in]
Product Height	22.8 mm[.898 in]
Row-to-Row Spacing	4.24 mm[.167 in]

#### Usage Conditions

Operating Temperature (Max)	70 °C, 75 °C, 80 °C, 85 °C[158 °F][167 °F] [176 °F][185 °F]
Operating Temperature Range	-40 – 85 °C[-40 – 185 °F][-40 – 185 °F]

#### Operation/Application

Circuit Application	Power
---------------------	-------

#### Industry Standards

UL Flammability Rating	UL 94HB
------------------------	---------

#### Packaging Features

Packaging Quantity	1200
Packaging Method	Carton

#### Other

Serviceable	Yes
Connector Position Assurance Capable	No

#### Product Compliance

For compliance documentation, visit the product page on [TE.com](https://www.te.com)>



EU RoHS Directive 2011/65/EU	Compliant
EU ELV Directive 2000/53/EC	Compliant
China RoHS 2 Directive MIIT Order No 32, 2016	No Restricted Materials Above Threshold
EU REACH Regulation (EC) No. 1907/2006	Current ECHA Candidate List: JAN 2021 (211) Candidate List Declared Against: JUL 2019 (201) SVHC > Threshold: Not Yet Reviewed
Halogen Content	Low Halogen - Br, Cl, F, I < 900 ppm per homogenous material. Also BFR/CFR/PVC Free
Solder Process Capability	Not applicable for solder process capability

Product Compliance Disclaimer

This information is provided based on reasonable inquiry of our suppliers and represents our current actual knowledge based on the information they provided. This information is subject to change. The part numbers that TE has identified as EU RoHS compliant have a maximum concentration of 0.1% by weight in homogenous materials for lead, hexavalent chromium, mercury, PBB, PBDE, DBP, BBP, DEHP, DIBP, and 0.01% for cadmium, or qualify for an exemption to these limits as defined in the Annexes of Directive 2011/65/EU (RoHS2). Finished electrical and electronic equipment products will be CE marked as required by Directive 2011/65/EU. Components may not be CE marked. Additionally, the part numbers that TE has identified as EU ELV compliant have a maximum concentration of 0.1% by weight in homogenous materials for lead, hexavalent chromium, and mercury, and 0.01% for cadmium, or qualify for an exemption to these limits as defined in the Annexes of Directive 2000/53/EC (ELV). Regarding the REACH Regulation, the information TE provides on SVHC in articles for this part number is based on the latest European Chemicals Agency (ECHA) 'Guidance on requirements for substances in articles' posted at this URL: <https://echa.europa.eu/guidance-documents/guidance-on-reach>

## Compatible Parts



Also in the Series | [AMP MCP 6.3/4.8K](#)



Automotive Housings(12)



Automotive Seals & Cavity Plugs(2)

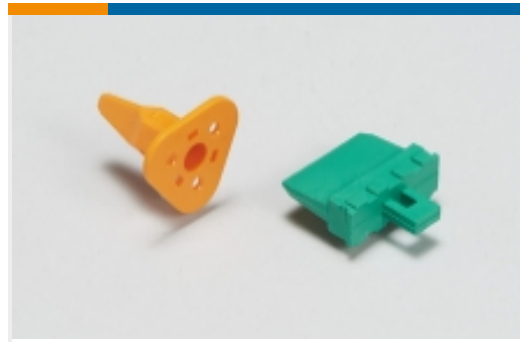


Automotive Terminals(2)

## Also in the Series | AMP MCP Connector System



Automotive Connector Caps & Covers (24)



Automotive Connector Locks & Position Assurance(8)



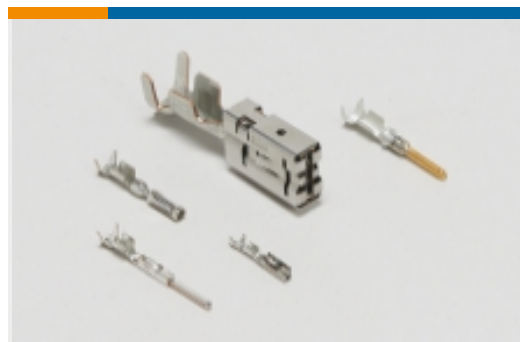
Automotive Headers(29)



Automotive Housings(352)



Automotive Seals & Cavity Plugs(6)



Automotive Terminals(124)



Insertion & Extraction Tools(13)



Other Automotive Connector Accessories(2)

## Customers Also Bought



TE Part #1534180-1  
AMP MCP, UNSEALED CONNECTOR HOUSING



TE Part #1-968326-1  
MQS, CONNECTOR HOUSING



TE Part #1241402-1  
AMP MCP, RECEPTACLE AND TAB



TE Part #1-1703930-1  
MQS, RECEPTACLE AND TAB



TE Part #927840-5  
TIMER, RECEPTACLE AND TAB



TE Part #1452409-2  
SECONDARY LOCK FOR 58 POS CONN



TE Part #1355360-1  
TSP ABDECKKAPPE2X6P



## Documents

### Product Drawings

[MCP6.3 RECEP HSG4P](#)

English

---

### CAD Files

Customer View Model

[ENG\\_CVM\\_1534404-2\\_A2.3d\\_igs.zip](#)

English

Customer View Model

[ENG\\_CVM\\_1534404-2\\_A2.3d\\_stp.zip](#)

English

Customer View Model

[ENG\\_CVM\\_1534404-2\\_A2.2d\\_dxf.zip](#)

English

### 3D PDF

English

By downloading the CAD file I accept and agree to the [Terms and Conditions](#) of use.