

5-520532-2 ✓ ACTIVE

AMPLIMITE

TE Internal #: 5-520532-2

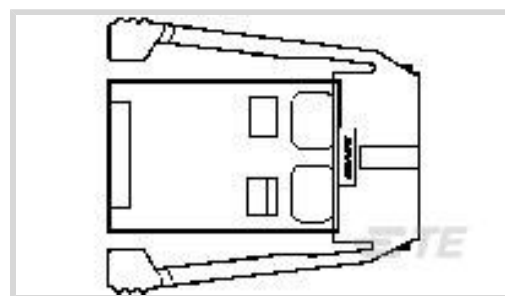
SDL Connectors, Plug, 6 Conductor, Round Jacketed Cable

Compatible With Wire & Cable Type, 26AWG / 28AWG Wire Size

[View on TE.com >](#)



Connectors > Audio & Video Connectors > Shielded Data Link > SDL Connectors



Connector & Housing Type: **Plug**

Number of Conductors: **6**

Compatible With Wire & Cable Type: **Round Jacketed Cable**

Wire Size: **.08 – .09 mm², .081 mm², .12 – .15 mm², .129 mm²**

Features

Product Type Features

Product Type	Connector
Receptacle Configuration	Standard
Connector & Housing Type	Plug
Connector System	Cable-to-Board
Connector & Contact Terminates To	Wire & Cable

Configuration Features

Keying	E
Number of Conductors	6
Compatible With Wire & Cable Type	Round Jacketed Cable
Number of Positions	6

Body Features

Shield Plating Material	Tin
Shield Plating Finish	Bright
Shield Material	Steel

Contact Features

Contact Mating Area Plating Material	Gold
Contact Mating Area Plating Thickness	50 μin
Contact Base Material	Copper Alloy
Contact Current Rating (Max)	1.5 A



Mechanical Attachment

PCB Mount Retention	Without
Connector Mounting Type	Cable Mount (Free-Hanging)

Housing Features

Housing Color	Smoke Gray
Housing Material	Polycarbonate GF
Centerline (Pitch)	1.27 mm[.05 in]

Dimensions

Conductor Insulation Diameter	1.14 – 1.27 mm[.045 – .05 in]
Wire Size	.08 – .09 mm ² , .081 mm ² , .12 – .15 mm ² , .129 mm ²

Usage Conditions

Operating Temperature Range	-20 – 80 °C[-4 – 176 °F]
-----------------------------	--------------------------

Operation/Application

Circuit Application	Signal
---------------------	--------

Industry Standards

Agency/Standard	CSA, UL
UL Flammability Rating	UL 94V-2

Other

Comment	Plug assemblies for round cable need a top shield, bottom shield, boot, and ferrule., Prefix no. designates key configuration. Suffix no. is a code for the number of conductors. Prefix & suffix nos. of plug assemblies must match those of the intended mating receptacle. Keys are molded in as an integral part of the plug & receptacle.
---------	--

Product Compliance

[For compliance documentation, visit the product page on TE.com>](#)

EU RoHS Directive 2011/65/EU	Compliant
EU ELV Directive 2000/53/EC	Compliant
China RoHS 2 Directive MIIT Order No 32, 2016	No Restricted Materials Above Threshold
EU REACH Regulation (EC) No. 1907/2006	Current ECHA Candidate List: JAN 2021 (211)



Candidate List Declared Against: JUL 2019
(201)
SVHC > Threshold:
Not Yet Reviewed

Halogen Content	Not Low Halogen - contains Br or Cl > 900 ppm.
Solder Process Capability	Not applicable for solder process capability

Product Compliance Disclaimer

This information is provided based on reasonable inquiry of our suppliers and represents our current actual knowledge based on the information they provided. This information is subject to change. The part numbers that TE has identified as EU RoHS compliant have a maximum concentration of 0.1% by weight in homogenous materials for lead, hexavalent chromium, mercury, PBB, PBDE, DBP, BBP, DEHP, DIBP, and 0.01% for cadmium, or qualify for an exemption to these limits as defined in the Annexes of Directive 2011/65/EU (RoHS2). Finished electrical and electronic equipment products will be CE marked as required by Directive 2011/65/EU. Components may not be CE marked. Additionally, the part numbers that TE has identified as EU ELV compliant have a maximum concentration of 0.1% by weight in homogenous materials for lead, hexavalent chromium, and mercury, and 0.01% for cadmium, or qualify for an exemption to these limits as defined in the Annexes of Directive 2000/53/EC (ELV). Regarding the REACH Regulation, the information TE provides on SVHC in articles for this part number is based on the latest European Chemicals Agency (ECHA) 'Guidance on requirements for substances in articles' posted at this URL: <https://echa.europa.eu/guidance-documents/guidance-on-reach>

Customers Also Bought



TE Part #2212339-1
FORGE, ASSY PIN, 2#0-2#4-2#8-2#12-2#22



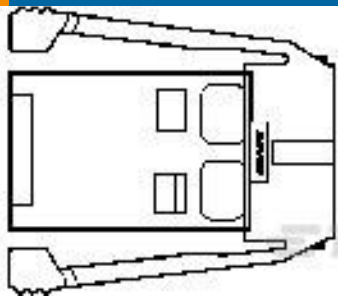
TE Part #YDTS26W09-35SBC001
D38999: Straight Plug, 09-35 Insert



TE Part #2227225-2
zQSFP+ STACKED RECEPTACLE ASSEMBLY 2X2



TE Part #4-794677-0
10POS MICRO MNL ASSY,R/A,THRU



TE Part #1-520424-3
8 SDL RND PLUG ASSY 50 SERIES



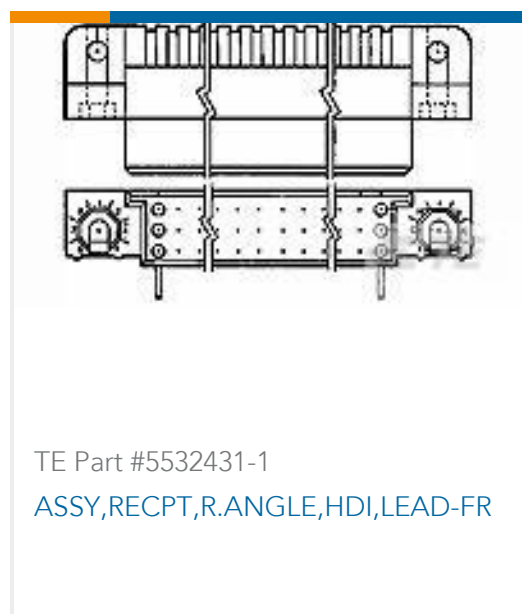
TE Part #103949-1
8X2 MTE SHRD PIN SR LTCH .100



TE Part #2-1825143-2
AE205SD1CQ04



TE Part #2212341-1
FORGE, ASSY SCKT, 2#0-2#4-2#8-2#12-2#22



Documents

Product Drawings

6 SDL RND PLUG ASSY 36 SERIES

English

CAD Files

3D PDF

3D

Customer View Model

[ENG_CVM_CVM_5-520532-2_AA.2d_dxf.zip](#)

English

Customer View Model

[ENG_CVM_CVM_5-520532-2_AA.3d_igs.zip](#)

English

Customer View Model

[ENG_CVM_CVM_5-520532-2_AA.3d_stp.zip](#)

English

By downloading the CAD file I accept and agree to the [Terms and Conditions](#) of use.

Product Specifications

Application Specification

English

Instruction Sheets

Instruction Sheet (U.S.)

English

Instruction Sheet (U.S.)

English

Crimping Die Assemblies 58195-1, 58195-2, 58195-3, and 58195-6

English