

284425-1 ✓ ACTIVE

AMP | AMP MCP 1.5K, AMP MCP Connector System

TE Internal #: 284425-1

Hybrid, Housing for Female Terminals, Wire-to-Wire, 3 Position, 4mm [.157in] Centerline, Sealable, Black, Signal

[View on TE.com >](#)



Connectors > Automotive Connectors > Connector Housings > AMP MCP, SEALED CONNECTOR HOUSING



Connector & Housing Type: **Housing for Female Terminals**

Mating Tab Width: **1.5 mm [.059 in]**

Connector System: **Wire-to-Wire**

Number of Positions: **3**

Centerline (Pitch): **4 mm [.157 in]**

[All AMP MCP, SEALED CONNECTOR HOUSING \(159\)](#)

Features

Product Type Features

Connector & Housing Type	Housing for Female Terminals
Connector System	Wire-to-Wire
Sealable	Yes
Hybrid Connector	No
Primary Locking Feature	Integrated in Housing

Configuration Features

Blank Cavity Position	0
Number of Positions	3
Number of Rows	1

Electrical Characteristics

Operating Voltage	24 VDC
Nominal Voltage Architecture	12 V, 24 V

Body Features

Cable Exit Angle	180°
Body Material	PA GF
Primary Product Color	Black

Contact Features



Mating Tab Width	1.5 mm[.059 in]
------------------	-----------------

Mechanical Attachment

Mounting Feature	Without
------------------	---------

Terminal Position Assurance	Yes
-----------------------------	-----

Strain Relief	No
---------------	----

Mating Alignment Type	Polarized
-----------------------	-----------

Housing Features

Centerline (Pitch)	4 mm[.157 in]
--------------------	---------------

Dimensions

Product Width	26.25 mm[1.03 in]
---------------	-------------------

Product Length	35.51 mm[1.39 in]
----------------	-------------------

Product Height	22.6 mm[.89 in]
----------------	-----------------

Usage Conditions

Operating Temperature (Max)	70 °C, 80 °C, 85 °C, 90 °C, 100 °C, 105 °C, 110 °C, 120 °C, 125 °C, 130 °C, 140 °C[158 °F][167 °F][176 °F][185 °F][194 °F][212 °F][221 °F][230 °F][248 °F][257 °F][266 °F][284 °F]
-----------------------------	--

Operating Temperature Range	-40 – 140 °C[-40 – 284 °F]
-----------------------------	----------------------------

Operation/Application

Circuit Application	Signal
---------------------	--------

Industry Standards

Agency/Standard	IEC 529 IP 54
-----------------	---------------

Degree of Protection	IP54K
----------------------	-------

Packaging Features

Packaging Quantity	100
--------------------	-----

Packaging Method	Bag
------------------	-----

Other

Serviceable	No
-------------	----

Connector Position Assurance Capable	Yes
--------------------------------------	-----

Product Compliance

For compliance documentation, visit the product page on [TE.com](https://www.te.com)>

EU RoHS Directive 2011/65/EU	Compliant
------------------------------	-----------



EU ELV Directive 2000/53/EC	Compliant
China RoHS 2 Directive MIIT Order No 32, 2016	No Restricted Materials Above Threshold
EU REACH Regulation (EC) No. 1907/2006	Current ECHA Candidate List: JAN 2021 (211) Candidate List Declared Against: JAN 2021 (211) Does not contain REACH SVHC
Halogen Content	Low Halogen - Br, Cl, F, I < 900 ppm per homogenous material. Also BFR/CFR/PVC Free
Solder Process Capability	Not applicable for solder process capability

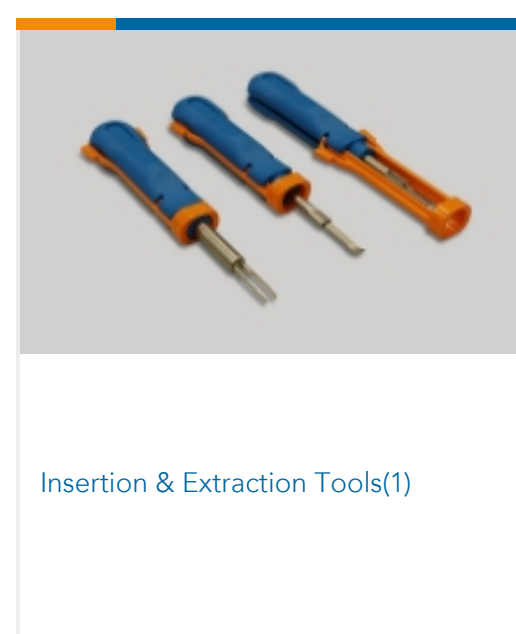
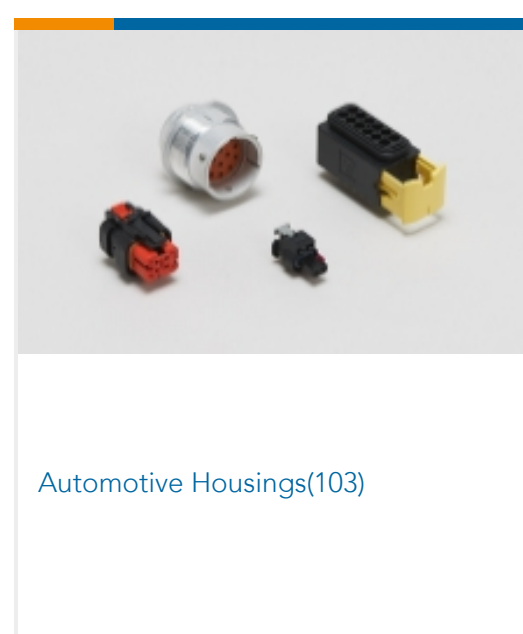
Product Compliance Disclaimer

This information is provided based on reasonable inquiry of our suppliers and represents our current actual knowledge based on the information they provided. This information is subject to change. The part numbers that TE has identified as EU RoHS compliant have a maximum concentration of 0.1% by weight in homogenous materials for lead, hexavalent chromium, mercury, PBB, PBDE, DBP, BBP, DEHP, DIBP, and 0.01% for cadmium, or qualify for an exemption to these limits as defined in the Annexes of Directive 2011/65/EU (RoHS2). Finished electrical and electronic equipment products will be CE marked as required by Directive 2011/65/EU. Components may not be CE marked. Additionally, the part numbers that TE has identified as EU ELV compliant have a maximum concentration of 0.1% by weight in homogenous materials for lead, hexavalent chromium, and mercury, and 0.01% for cadmium, or qualify for an exemption to these limits as defined in the Annexes of Directive 2000/53/EC (ELV). Regarding the REACH Regulation, the information TE provides on SVHC in articles for this part number is based on the latest European Chemicals Agency (ECHA) 'Guidance on requirements for substances in articles' posted at this URL: <https://echa.europa.eu/guidance-documents/guidance-on-reach>

Compatible Parts



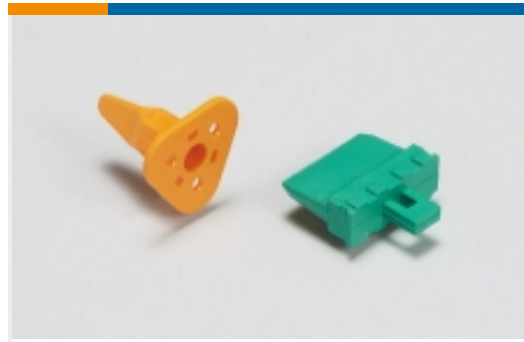
Also in the Series | AMP MCP 1.5K



Also in the Series | AMP MCP Connector System



Automotive Connector Caps & Covers (24)



Automotive Connector Locks & Position Assurance (8)



Automotive Headers (29)



Automotive Housings (352)



Automotive Seals & Cavity Plugs (6)



Automotive Terminals (124)



Insertion & Extraction Tools (13)



Other Automotive Connector Accessories (2)

Customers Also Bought



TE Part #1419158-5
GET .64 CONNECTOR SYSTEM,
CONNECTOR HSG



TE Part #1355526-2
MQS, CONNECTOR HOUSING



TE Part #1564980-1
AMP MCP, RECEPTACLE AND TAB



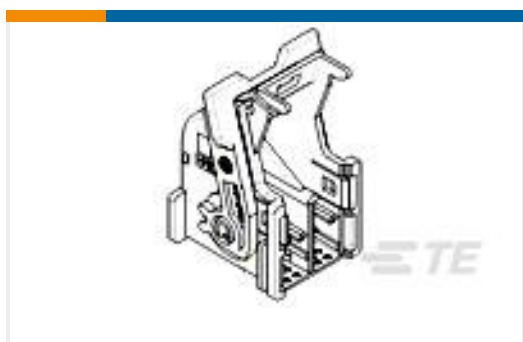
TE Part #1379095-3
COV+LEV MQS 12W 0DEG BLAC



TE Part #1612123-1
SQUIB FERRITE



TE Part #1670108-1
BLIND PLUG FEMALE 1.5



TE Part #953122-2
40W MQS COVER ASSY (15D)

Documents

Product Drawings

3 POS CONNECTOR FOR INJECTION

English

CAD Files

3D PDF

3D



Customer View Model

[ENG_CVM_CVM_284425-1_D.2d_dxf.zip](#)

English

Customer View Model

[ENG_CVM_CVM_284425-1_D.3d_igs.zip](#)

English

Customer View Model

[ENG_CVM_CVM_284425-1_D.3d_stp.zip](#)

English

By downloading the CAD file I accept and agree to the [Terms and Conditions](#) of use.

Product Specifications

[Product Specification](#)

English

Instruction Sheets

[2 and 3 pos. connector for spark coil](#)

English

[Instruction Sheet \(non U.S.\)](#)

English