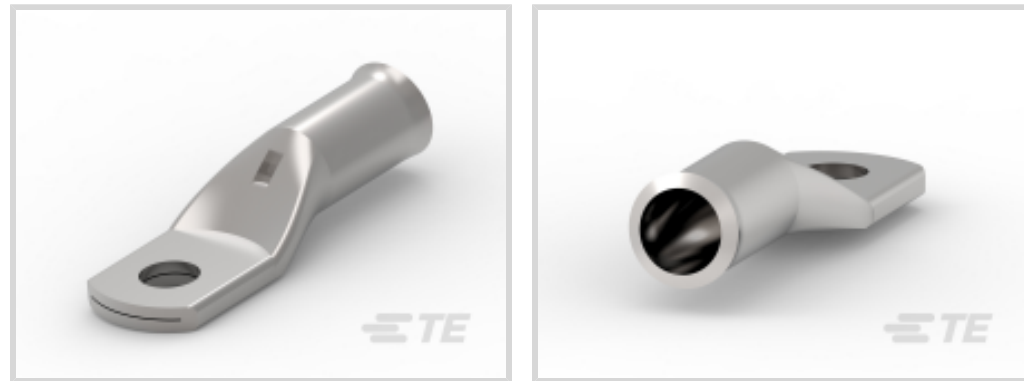




Energy & Power > Power System Connectors > Compression Connectors



Compression Connector Product Availability: **EMEA**

Compression Connector Technology: **Crimp**

Compression Connector Voltage Class:  **$\leq 1$  kV**

Compression Connector Conductor Material: **Copper**

Conductor Cross-Section: **95 mm<sup>2</sup>**

## Features

### Product Type Features

|                                  |              |
|----------------------------------|--------------|
| Type                             | Terminal Lug |
| Compression Connector Technology | Crimp        |
| Compression Connector Material   | Copper       |

### Configuration Features

|                 |   |
|-----------------|---|
| Number of Holes | 1 |
|-----------------|---|

### Electrical Characteristics

|                                     |             |
|-------------------------------------|-------------|
| Compression Connector Voltage Class | $\leq 1$ kV |
|-------------------------------------|-------------|

### Body Features

|  |        |
|--|--------|
| Barrel Type                              | Long   |
| Compact Format                           | No     |
| Compression Connector Conductor Material | Copper |
| Copper Palm                              | Yes    |

### Contact Features

|            |                              |
|------------|------------------------------|
| Crimp Type | Hexagonal or Indent Crimping |
|------------|------------------------------|

### Dimensions

|                         |                    |
|-------------------------|--------------------|
| Conductor Cross-Section | 95 mm <sup>2</sup> |
| Palm Hole Diameter      | 12.8               |



### Operation/Application

|             |     |
|-------------|-----|
| Indoor Use  | Yes |
| Outdoor Use | Yes |

### Industry Standards

|           |  |
|-----------|--|
| Standards | Designed to Meet NFC 20-130 Requirements |
|-----------|--|

### Product Availability

|  |      |
|--|------|
| Compression Connector Product Availability | EMEA |
|--|------|

### Product Compliance

[For compliance documentation, visit the product page on TE.com>](#)


|   |   |
|---|---|
| EU RoHS Directive 2011/65/EU                  | Compliant   |
| EU ELV Directive 2000/53/EC                   | Compliant   |
| China RoHS 2 Directive MIIT Order No 32, 2016 | No Restricted Materials Above Threshold   |
| EU REACH Regulation (EC) No. 1907/2006        | Current ECHA Candidate List: JAN 2021 (211)<br>Candidate List Declared Against: JUN 2016 (169)<br>SVHC > Threshold:<br>Not Yet Reviewed |
| Halogen Content                               | Low Halogen - Br, Cl, F, I < 900 ppm per homogenous material. Also BFR/CFR/PVC Free   |
| Solder Process Capability                     | Not applicable for solder process capability  |

#### Product Compliance Disclaimer


This information is provided based on reasonable inquiry of our suppliers and represents our current actual knowledge based on the information they provided. This information is subject to change. The part numbers that TE has identified as EU RoHS compliant have a maximum concentration of 0.1% by weight in homogenous materials for lead, hexavalent chromium, mercury, PBB, PBDE, DBP, BBP, DEHP, DIBP, and 0.01% for cadmium, or qualify for an exemption to these limits as defined in the Annexes of Directive 2011/65/EU (RoHS2). Finished electrical and electronic equipment products will be CE marked as required by Directive 2011/65/EU. Components may not be CE marked. Additionally, the part numbers that TE has identified as EU ELV compliant have a maximum concentration of 0.1% by weight in homogenous materials for lead, hexavalent chromium, and mercury, and 0.01% for cadmium, or qualify for an exemption to these limits as defined in the Annexes of Directive 2000/53/EC (ELV). Regarding the REACH Regulations, TE's information on SVHC in articles for this part number is still based on the European Chemical Agency (ECHA) 'Guidance on requirements for substances in articles' (Version: 2, April 2011), applying the 0.1% weight on weight concentration threshold at the finished product level. TE is aware of the European Court of Justice ruling of September 10th, 2015 also known as O5A (Once An Article Always An Article) stating that, in case of 'complex object', the threshold for a SVHC must be applied to both the product as a whole and simultaneously to each of the articles forming part of its composition. TE has evaluated this ruling based on the new ECHA "Guidance on requirements for substances in articles" (June 2017, version 4.0) and will be updating its statements accordingly.



## Compatible Parts



TE Part # 2107475-2  
UNIPRESS 6/120 +COF+CHARG



TE Part # 2107725-1  
AUTOPRESS L62+ COF+CHARG



TE Part # 2107730-1  
AutoPress 80 18V+COF+CHARG




TE Part # 2107731-1  
AutoPress U120 18V+COF+CHARG



TE Part # 2107733-4  
AUTOPRESS C120 18V+COF+CHARG  
110V

## Also in the Series | Simel XCT



Compression Connectors(73)

## Customers Also Bought



TE Part #2213600-1  
COOLSPICE QUICK CONNECT  
SPLICE



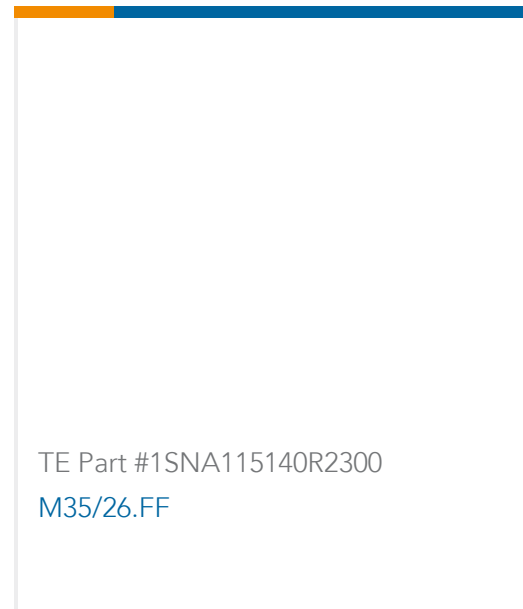
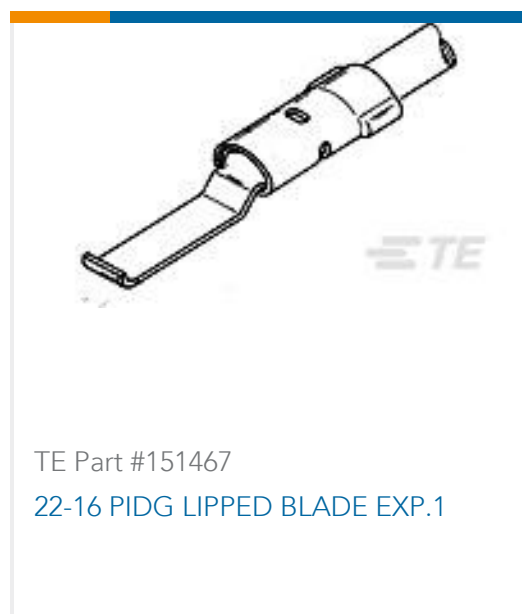
TE Part #130014  
PG R 22-16 5MM



TE Part #1622359-1  
LR1 1% 1K5



TE Part #165154  
PIDG REPAIR KIT



## Documents

### Product Drawings

XCT 95-12

English

### CAD Files

3D PDF

3D

Customer View Model

[ENG\\_CVM\\_CVM\\_709819-5\\_G.2d\\_dxf.zip](#)

English

Customer View Model

[ENG\\_CVM\\_CVM\\_709819-5\\_G.3d\\_igs.zip](#)

English

Customer View Model

[ENG\\_CVM\\_CVM\\_709819-5\\_G.3d\\_stp.zip](#)

English

By downloading the CAD file I accept and agree to the [Terms and Conditions](#) of use.

### Datasheets & Catalog Pages

XCT-COPPER-TUBULAR-TERMINALS-FITTINGS

English