

710028-1 ✓ ACTIVE

[Simel](#) | [Simel XCT](#)

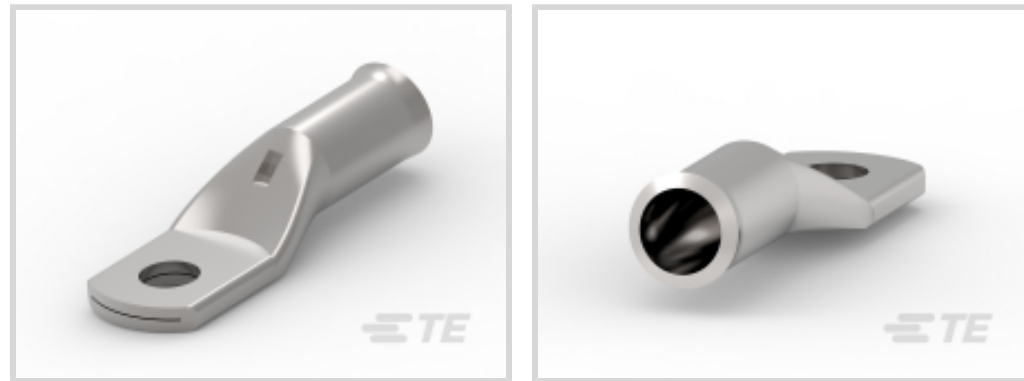
TE Internal #: 710028-1

Simel XCT, Compression Connectors, EMEA, Crimp, ≤ 1 kV,
Copper, Conductor Cross-Section 70 mm², Hexagonal or Indent
Crimping, Copper, Indoor Use

[View on TE.com >](#)



Energy & Power > Power System Connectors > Compression Connectors



Compression Connector Product Availability: **EMEA**

Compression Connector Technology: **Crimp**

Compression Connector Voltage Class: **≤ 1 kV**

Compression Connector Conductor Material: **Copper**

Conductor Cross-Section: **70 mm²**

Features

Product Type Features

Type	Terminal Lug
Compression Connector Technology	Crimp
Compression Connector Material	Copper

Configuration Features

Number of Holes	1
-----------------	---

Electrical Characteristics

Compression Connector Voltage Class	≤ 1 kV
-------------------------------------	-------------

Body Features

Barrel Type	Standard
Compact Format	No
Compression Connector Conductor Material	Copper
Copper Palm	Yes

Contact Features

Crimp Type	Hexagonal or Indent Crimping
------------	------------------------------

Dimensions

Conductor Cross-Section	70 mm ²
Palm Hole Diameter	8.3



Operation/Application

Indoor Use	Yes
Outdoor Use	Yes

Industry Standards

Standards	Designed to Meet NFC 20-130 Requirements
-----------	--

Product Availability

Compression Connector Product Availability	EMEA
--	------

Product Compliance

[For compliance documentation, visit the product page on TE.com>](#)


EU RoHS Directive 2011/65/EU	Compliant
EU ELV Directive 2000/53/EC	Compliant
China RoHS 2 Directive MIIT Order No 32, 2016	No Restricted Materials Above Threshold
EU REACH Regulation (EC) No. 1907/2006	Current ECHA Candidate List: JAN 2021 (211) Candidate List Declared Against: JAN 2017 (173) SVHC > Threshold: Not Yet Reviewed
Halogen Content	Low Halogen - Br, Cl, F, I < 900 ppm per homogenous material. Also BFR/CFR/PVC Free
Solder Process Capability	Not applicable for solder process capability

Product Compliance Disclaimer


This information is provided based on reasonable inquiry of our suppliers and represents our current actual knowledge based on the information they provided. This information is subject to change. The part numbers that TE has identified as EU RoHS compliant have a maximum concentration of 0.1% by weight in homogenous materials for lead, hexavalent chromium, mercury, PBB, PBDE, DBP, BBP, DEHP, DIBP, and 0.01% for cadmium, or qualify for an exemption to these limits as defined in the Annexes of Directive 2011/65/EU (RoHS2). Finished electrical and electronic equipment products will be CE marked as required by Directive 2011/65/EU. Components may not be CE marked. Additionally, the part numbers that TE has identified as EU ELV compliant have a maximum concentration of 0.1% by weight in homogenous materials for lead, hexavalent chromium, and mercury, and 0.01% for cadmium, or qualify for an exemption to these limits as defined in the Annexes of Directive 2000/53/EC (ELV). Regarding the REACH Regulations, TE's information on SVHC in articles for this part number is still based on the European Chemical Agency (ECHA) 'Guidance on requirements for substances in articles' (Version: 2, April 2011), applying the 0.1% weight on weight concentration threshold at the finished product level. TE is aware of the European Court of Justice ruling of September 10th, 2015 also known as O5A (Once An Article Always An Article) stating that, in case of 'complex object', the threshold for a SVHC must be applied to both the product as a whole and simultaneously to each of the articles forming part of its composition. TE has evaluated this ruling based on the new ECHA "Guidance on requirements for substances in articles" (June 2017, version 4.0) and will be updating its statements accordingly.



Compatible Parts



TE Part # 2107475-2
UNIPRESS 6/120 +COF+CHARG



TE Part # 2107725-1
AUTOPRESS L62+ COF+CHARG



TE Part # 2107730-1
AutoPress 80 18V+COF+CHARG




TE Part # 2107731-1
AutoPress U120 18V+COF+CHARG



TE Part # 2107733-4
AUTOPRESS C120 18V+COF+CHARG
110V

Also in the Series | Simel XCT



Compression Connectors(73)

Customers Also Bought



TE Part #166054-1
D-Sub Connector Contacts: Pin, Brass,
Signal, Size 20



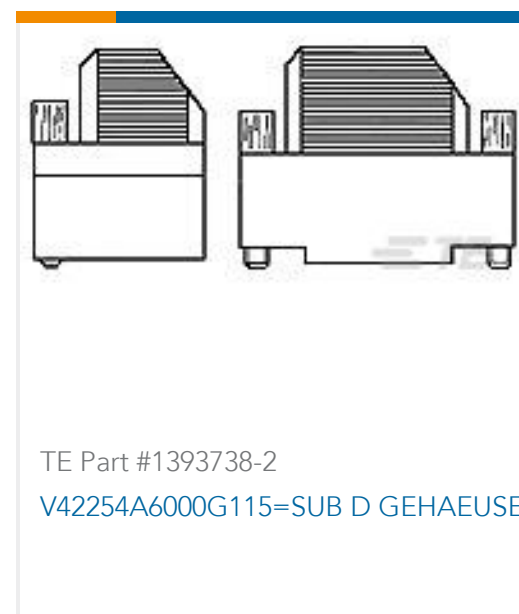
TE Part #2-1734592-0
0.5mm FPC Connectors



TE Part #1-1600960-8
CONT 8-10 AWG PWR, STD PLATE &



TE Part #1600903-1
2NDARY RCPT PWR VERT BLKHED MT



Documents

Product Drawings

XCT 70-8

English

CAD Files

3D PDF

3D

Customer View Model

[ENG_CVM_CVM_710028-1_F.2d_dxf.zip](#)

English

Customer View Model

[ENG_CVM_CVM_710028-1_F.3d_igs.zip](#)

English

Customer View Model

[ENG_CVM_CVM_710028-1_F.3d_stp.zip](#)

English

By downloading the CAD file I accept and agree to the [Terms and Conditions](#) of use.

Datasheets & Catalog Pages

XCT-COPPER-TUBULAR-TERMINALS-FITTINGS

English