



SOLISTRAND | SOLISTRAND Budget

TE Internal #: 30694

SOLISTRAND Budget, Ring Terminals & Spade Terminals, Ring Tongue, 22AWG Wire Size, .3 – 1.42mm² Wire Size, 509 – 3260CMA Wire Size, #12

[View on TE.com >](#)

Terminals & Splices > Ring Terminals & Spade Terminals



Terminal & Splice Type: **Ring Tongue**

Wire Size: **509 – 3260 CMA**

Ring & Spade Stud Size: **#12**

Features

Product Type Features

Shape Description	RING-048
Ring & Spade Stud Size	#12
Ring & Spade Barrel Type	Closed Barrel
Sealable	No
Insulated	No
Ring & Spade Wire/Cable Type	Regular Wire
Support Style	Non - Insulation Support

Configuration Features

Number of Holes	1
Terminal Angle	Straight

Body Features

Inspection Slot	No
Weight per Piece	.473 g
Ring & Spade Plating Material	Copper, Tin

Contact Features

Terminal & Splice Type	Ring Tongue
Ring & Spade Terminal Orientation	Straight

Mechanical Attachment

Wire Insulation Support	Without
-------------------------	---------



Dimensions

Wire Size	509 – 3260 CMA
Stud Diameter	5.49 mm[.216 in]
Tongue Thickness	.84 mm[.033 in]
Ring & Spade Overall Length	15.77 mm[.621 in]
Barrel Inside Diameter	1.65 mm[.065 in]

Usage Conditions

Insulation Requirement	Uninsulated
Operating Temperature Range	170 °C[338 °F]

Operation/Application

Heavy Duty	No
------------	----

Industry Standards

Government Qualified	No
----------------------	----

Packaging Features

Packaging Quantity	1000
Ring & Spade Packaging Method	Loose Piece

Other

Line	Budget
------	--------

Product Compliance

[For compliance documentation, visit the product page on TE.com>](#)

EU RoHS Directive 2011/65/EU	Compliant
EU ELV Directive 2000/53/EC	Compliant
China RoHS 2 Directive MIIT Order No 32, 2016	No Restricted Materials Above Threshold
EU REACH Regulation (EC) No. 1907/2006	Current ECHA Candidate List: JAN 2021 (211) Candidate List Declared Against: JUN 2020 (209) SVHC > Threshold: Not Yet Reviewed
Halogen Content	Low Halogen - Br, Cl, F, I < 900 ppm per homogenous material. Also BFR/CFR/PVC Free
Solder Process Capability	Not applicable for solder process capability

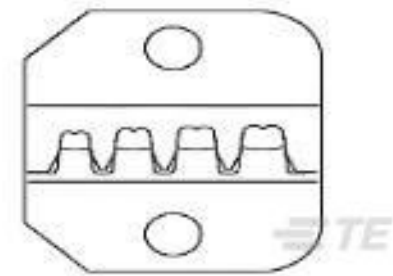
Product Compliance Disclaimer

This information is provided based on reasonable inquiry of our suppliers and represents our current actual knowledge based on the information they provided. This information is subject to change. The part numbers that TE has identified as EU RoHS compliant have a maximum concentration of 0.1% by weight in homogenous materials for lead, hexavalent chromium, mercury, PBB, PBDE, DBP, BBP, DEHP, DIBP, and 0.01% for cadmium, or qualify for an exemption to these limits as defined in the Annexes of Directive 2011/65/EU (RoHS2). Finished electrical and electronic equipment products will be CE marked as required by Directive 2011/65/EU. Components may not be CE marked. Additionally, the part numbers that TE has identified as EU ELV compliant have a maximum concentration of 0.1% by weight in homogenous materials for lead, hexavalent chromium, and mercury, and 0.01% for cadmium, or qualify for an exemption to these limits as defined in the Annexes of Directive 2000/53/EC (ELV). Regarding the REACH Regulation, the information TE provides on SVHC in articles for this part number is based on the latest European Chemicals Agency (ECHA) 'Guidance on requirements for substances in articles' posted at this URL: <https://echa.europa.eu/guidance-documents/guidance-on-reach>

Compatible Parts




TE Part # 58508-1
PRO-CRIMPER HD TL W/DIE BUDGET




TE Part # 58509-1
PRO-CRIMPER DIE BUDGET

Also in the Series | SOLISTRAND Budget



Knife Disconnects(4)



Ring Terminals & Spade Terminals(181)



Splices(1)

Customers Also Bought




TE Part #1658686-2
D-Sub Conn Contacts: Socket, Phosphor Bronze, Signal, Size 22



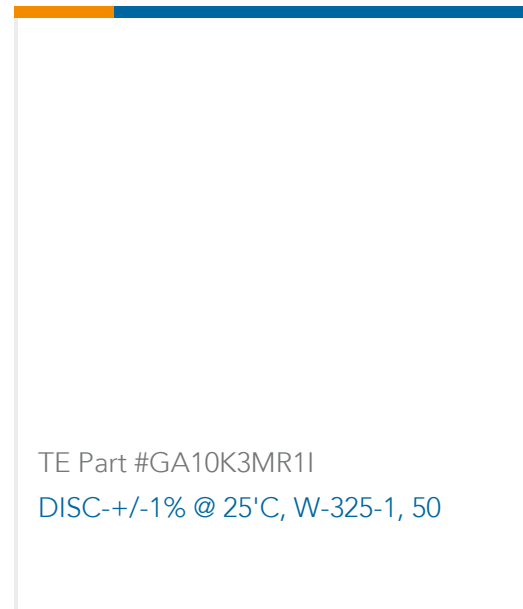
TE Part #1658527-3
622-1030LF FEM SOCKET, LEAD FREE



TE Part #102100-1
MOD I RECP PLTD 15 SEL



TE Part #104479-9
SHORT POINT CONT 15 DPLX STMPD LF



Documents

Product Drawings

[BUDG R 22-16 COMM 22-18 MIL 12](#)

English

CAD Files

[3D PDF](#)

3D

Customer View Model

[ENG_CVM_CVM_30694_BJ.2d_dxf.zip](#)

English

Customer View Model

[ENG_CVM_CVM_30694_BJ.3d_igs.zip](#)

English

Customer View Model

[ENG_CVM_CVM_30694_BJ.3d_stp.zip](#)

English

By downloading the CAD file I accept and agree to the [Terms and Conditions](#) of use.

Product Environmental Compliance

[Product Compliance](#)

English

[Product Compliance](#)

English

Instruction Sheets

[Instruction Sheet \(U.S.\)](#)

English



[Agency Approvals](#)

[UL Report](#)

English