

HD36-24-19SE-059 ✓ ACTIVE

DEUTSCH | DEUTSCH HD, DEUTSCH HD30

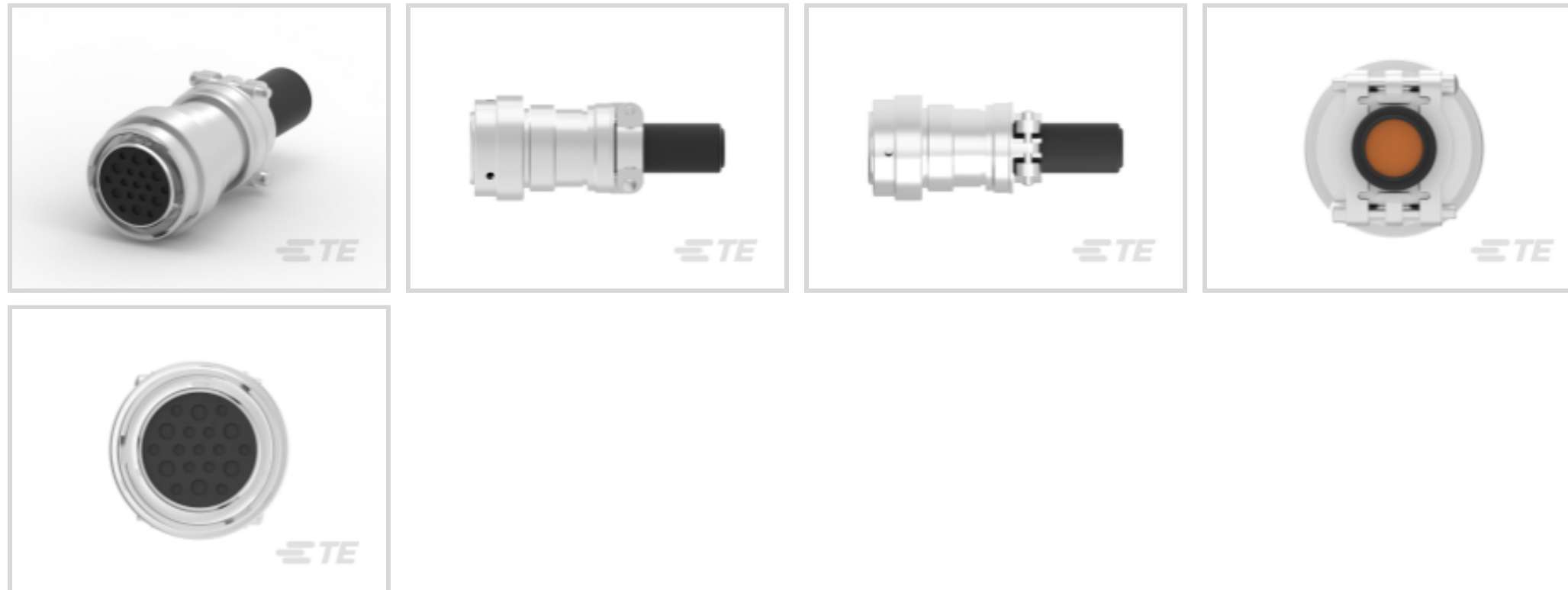
TE Internal #: HD36-24-19SE-059

Hybrid, Housing for Female Terminals, Wire-to-Wire, 19 Position, Sealable, Wire & Cable, 13A / 25A Contact Current Rating (Max), Power & Signal

[View on TE.com >](#)



Connectors > Automotive Connectors > Connector Housings > DEUTSCH HD30 HOUSINGS



Connector & Housing Type: **Housing for Female Terminals**

Mating Pin Diameter: 1.59 mm, 2.39 mm [.063 in, .094 in]

Connector System: **Wire-to-Wire**

Number of Positions: 19

Sealable: **Yes**

[All DEUTSCH HD30 HOUSINGS \(327\)](#)

Features

Product Type Features

Connector & Housing Type	Housing for Female Terminals
Connector System	Wire-to-Wire
Sealable	Yes
Hybrid Connector	Yes
Primary Locking Feature	Contact Retainer
Connector & Contact Terminates To	Wire & Cable

Configuration Features

Blank Cavity Position	0
Number of Positions	19

Electrical Characteristics

Operating Voltage	250 VAC
Nominal Voltage Architecture	12 V, 24 V



Body Features

Cable Exit Angle	180°
Body Material	Aluminum

Contact Features

Mating Pin Diameter	1.59 mm, 2.39 mm [.063 in][.094 in]
Contact Current Rating (Max)	13 A, 25 A

Mechanical Attachment

Mounting Feature	Without
Terminal Position Assurance	No
Strain Relief	Add By Accessory
Mating Alignment Type	Polarized

Dimensions

Product Width	49.32 mm [1.942 in]
Product Length	81.05 mm [3.191 in]
Product Height	49.32 mm [1.942 in]
Accepts Wire Insulation Diameter Range	1.35 – 3.05 mm, 2.46 – 4.01 mm [.053 – .12 in] [.097 – .158 in]

Usage Conditions

Operating Temperature (Max)	125 °C [257 °F]
Operating Temperature Range	-55 – 125 °C [-67 – 257 °F]

Operation/Application

Circuit Application	Power & Signal
---------------------	----------------

Industry Standards

Degree of Protection	IP67
----------------------	------

Packaging Features

Packaging Quantity	80
Packaging Method	Box

Other

Serviceable	Yes
Connector Position Assurance Capable	No

Product Compliance









[For compliance documentation, visit the product page on TE.com>](#)

EU RoHS Directive 2011/65/EU	Compliant
EU ELV Directive 2000/53/EC	Compliant
China RoHS 2 Directive MIIT Order No 32, 2016	No Restricted Materials Above Threshold
EU REACH Regulation (EC) No. 1907/2006	Current ECHA Candidate List: JAN 2021 (211) Candidate List Declared Against: JAN 2021 (211) Does not contain REACH SVHC
Halogen Content	Not Low Halogen - contains Br or Cl > 900 ppm.
Solder Process Capability	Not reviewed for solder process capability

Product Compliance Disclaimer

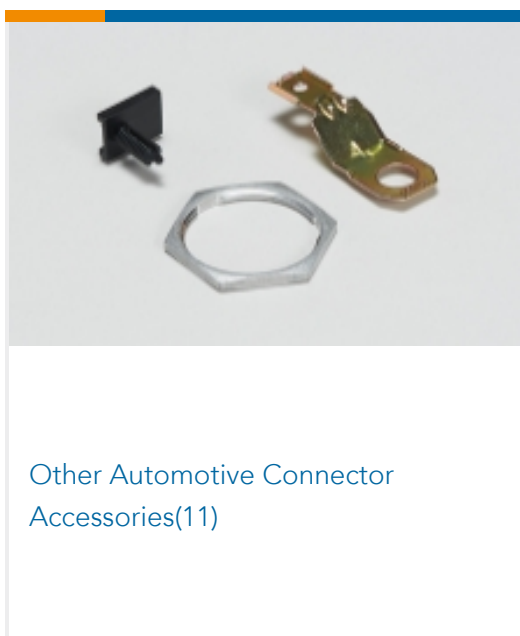
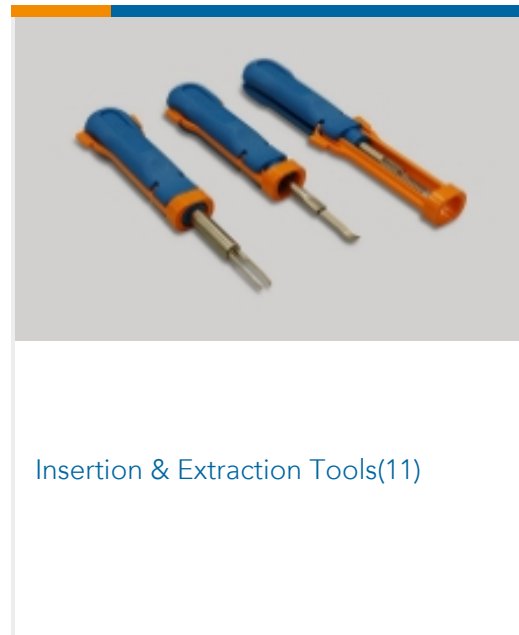
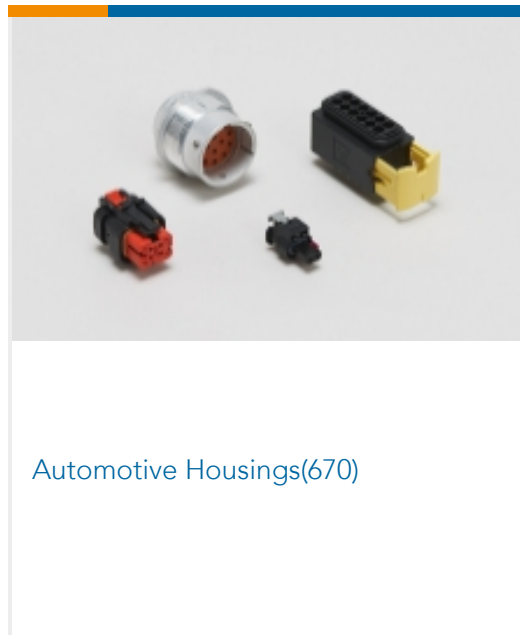
This information is provided based on reasonable inquiry of our suppliers and represents our current actual knowledge based on the information they provided. This information is subject to change. The part numbers that TE has identified as EU RoHS compliant have a maximum concentration of 0.1% by weight in homogenous materials for lead, hexavalent chromium, mercury, PBB, PBDE, DBP, BBP, DEHP, DIBP, and 0.01% for cadmium, or qualify for an exemption to these limits as defined in the Annexes of Directive 2011/65/EU (RoHS2). Finished electrical and electronic equipment products will be CE marked as required by Directive 2011/65/EU. Components may not be CE marked. Additionally, the part numbers that TE has identified as EU ELV compliant have a maximum concentration of 0.1% by weight in homogenous materials for lead, hexavalent chromium, and mercury, and 0.01% for cadmium, or qualify for an exemption to these limits as defined in the Annexes of Directive 2000/53/EC (ELV). Regarding the REACH Regulation, the information TE provides on SVHC in articles for this part number is based on the latest European Chemicals Agency (ECHA) 'Guidance on requirements for substances in articles' posted at this URL: <https://echa.europa.eu/guidance-documents/guidance-on-reach>

Compatible Parts

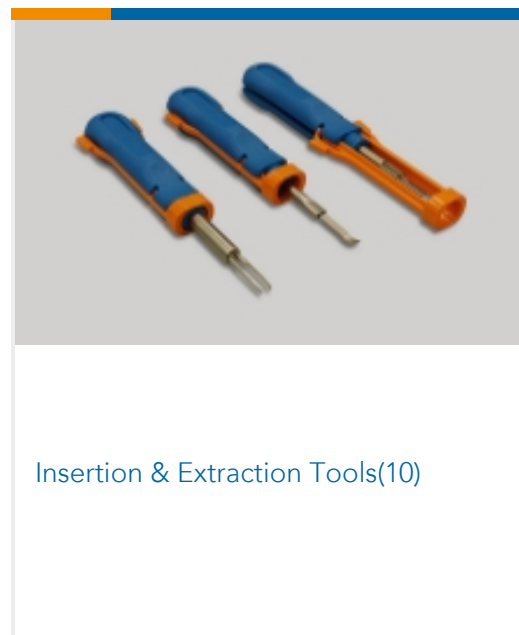
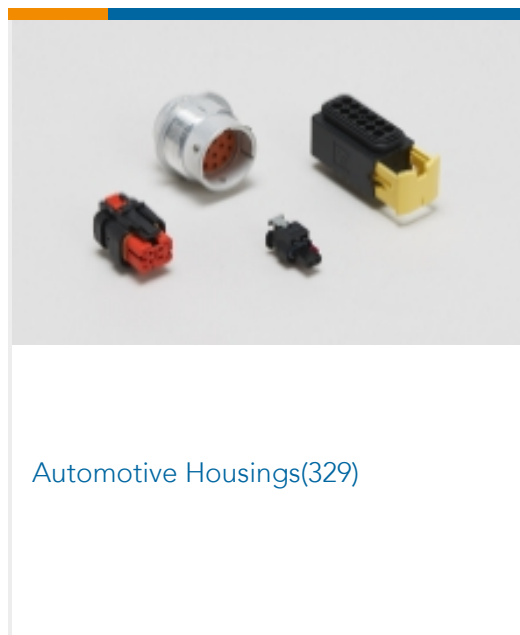
 <p>TE Part # CAT-D48-ST273 DEUTSCH SOLID CONTACTS</p>	 <p>TE Part # CAT-H3930-CH8172 DEUTSCH HD30 HOUSINGS</p>	 <p>TE Part # CAT-D48-SP729 DEUTSCH SEALING PLUGS</p>	 <p>TE Part # CAT-D48-SFT273 DEUTSCH STAMPED & FORMED CONTACTS</p>
 <p>TE Part # CAT-H3930-PC8382 DEUTSCH HD30 PLUG PROTECTIVE CAPS</p>	 <p>TE Part # HD30-24BT-BK BOOT, 24SZ, ST, BLK</p>	 <p>TE Part # HD30-24BT BOOT, 24SZ, ST, GRY</p>	 <p>TE Part # HD30-24BT-90-BK BOOT, 24SZ, RA, BLK</p>



Also in the Series | DEUTSCH HD



Also in the Series | DEUTSCH HD30



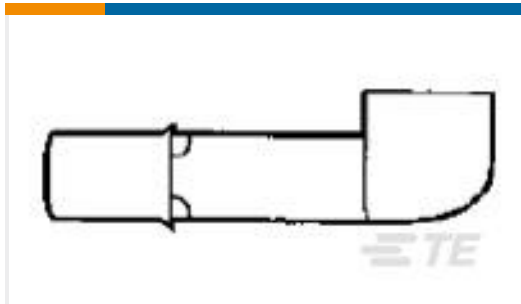


Other Automotive Connector Accessories(6)

Customers Also Bought



TE Part #66261-4
MALE CONTACT ASSY. (L.P.)



TE Part #32161
KNIFE DISCONNECT,STD B 8



TE Part #112263-90
DEUTSCH HD30 MOUNTING HARDWARE



TE Part #0462-203-12141
DEUTSCH SOLID CONTACTS



TE Part #1060-20-0622
DEUTSCH STAMPED & FORMED CONTACTS



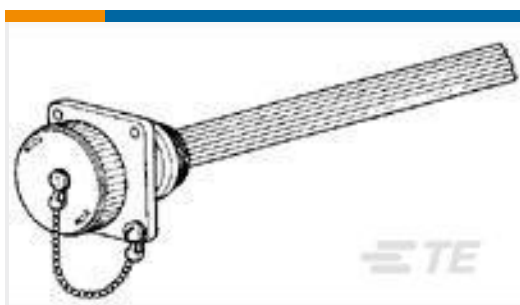
TE Part #2292860-1
AMPSEAL 16 BACKSHELLS



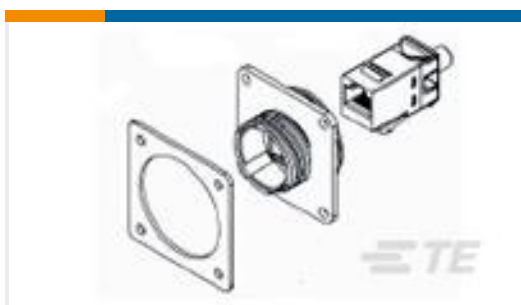
TE Part #W4SB-P012
DEUTSCH DT WEDGELOCKS



TE Part #0421-203-04141
REDUCING SLV



TE Part #207445-3
SEALING CAP ASSY, 17,CPC ROHS Compliant



TE Part #1546908-1
CPC RCP ASSY,IND ETHERNET,SHLD

Documents

Product Drawings

[PLG,19P,AL,E,CBLCLMP BT,DRAIN,12/16,S,MC](#)

English

CAD Files

[3D PDF](#)

[3D](#)

Customer View Model

[ENG_CVM_CVM_HD36-24-19SE-059_A.2d_dxf.zip](#)



English

Customer View Model

[ENG_CVM_CVM_HD36-24-19SE-059_A.3d_igs.zip](#)

English

Customer View Model

[ENG_CVM_CVM_HD36-24-19SE-059_A.3d_stp.zip](#)

English

By downloading the CAD file I accept and agree to the [Terms and Conditions](#) of use.

Datasheets & Catalog Pages

[ICT Terminals and Connectors Catalogue](#)

English

CONNECTOR SELECTOR

English

Product Specifications

[Application Specification](#)

English