



CIRH

TE Internal #: Y5015-000000100127

CIRH, Standard Circular Connectors, Wire-to-Wire / Cable-to-Cable, 5 Position, Wire & Cable, Power & Signal, Panel Mount, Reverse Gender

[View on TE.com >](#)

Connectors > Circular Connectors > Standard Circular Connectors > 4 HOLE FLANGE RECEPTACLE REAR PNL MALE



Connector System: **Cable-to-Cable, Wire-to-Wire**

Number of Positions: **5**

Connector & Contact Terminates To: **Wire & Cable**

Circuit Application: **Power & Signal**

Connector Mounting Type: **Panel Mount**

All 4 HOLE FLANGE RECEPTACLE REAR PNL MALE (17)

Features

Product Type Features

Product Type	Connector
Accessory Color	Black
Prewired	No
Connector System	Cable-to-Cable, Wire-to-Wire
Connector & Contact Terminates To	Wire & Cable
Circular Connector Type	Receptacle
Shell Type	Metal

Configuration Features

Factory Installed Backshell	Without
Number of Positions	5
Contacts Preloaded	No

Body Features

Shell Plating Material	Black Chromate Over Zn Cobalt
Shell Base Material	Aluminum Alloy
Circular Connector Insulation Material Type	Low Fire Hazard Rubber

Contact Features



Reverse Gender	Yes
Contact Layout Arrangement	18 – 11
Circular Connector Contact Type	Pin

Mechanical Attachment

Mating Retention Type	Bayonet
Mating Alignment	With
Panel Mount Feature	With
Panel Mount Feature Type	Square Flange
Connector Mounting Type	Panel Mount
Mating Alignment Type	Keyed
Mating Retention	With

Housing Features

Circular Connector Shell Size	18
-------------------------------	----

Usage Conditions

IP Water Sealing Level	IP67
Operating Temperature Range	-55 – 200 °C[-67 – 392 °F]

Operation/Application

Circuit Application	Power & Signal
Shielded	Yes

Packaging Features

Packaging Quantity	10
--------------------	----

Other

Position Locations Omitted	All
Field Serviceable	Yes

Product Compliance

[For compliance documentation, visit the product page on TE.com>](#)

EU RoHS Directive 2011/65/EU	Compliant with Exemptions
EU ELV Directive 2000/53/EC	Not Yet Reviewed
China RoHS 2 Directive MIIT Order No 32, 2016	Restricted Materials Above Threshold
EU REACH Regulation (EC) No. 1907/2006	Current ECHA Candidate List: JAN 2021 (211)

Candidate List Declared Against: JUL 2017
(174)
SVHC > Threshold:
Not Yet Reviewed

Halogen Content	Not Yet Reviewed for halogen content
Solder Process Capability	Not applicable for solder process capability

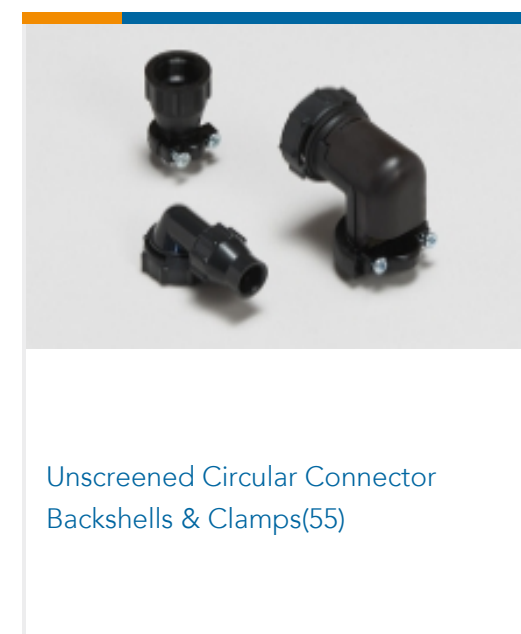
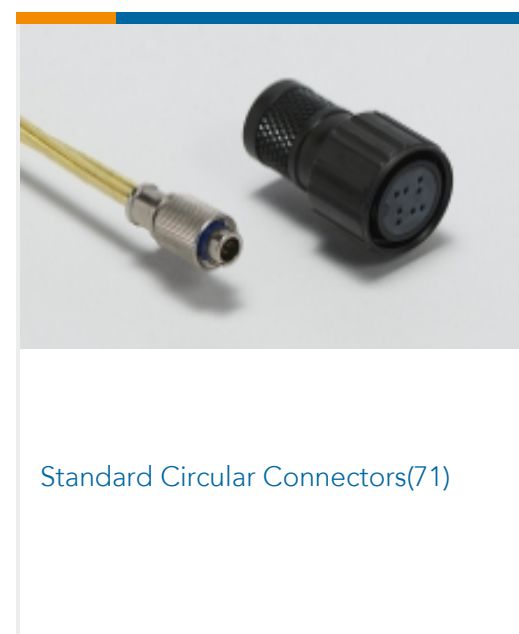
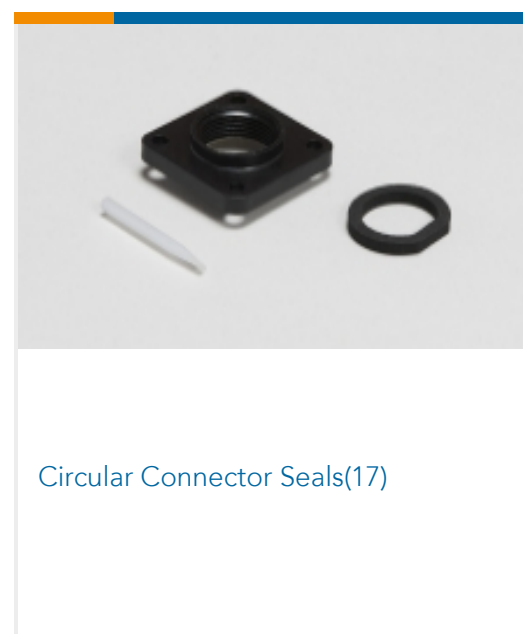
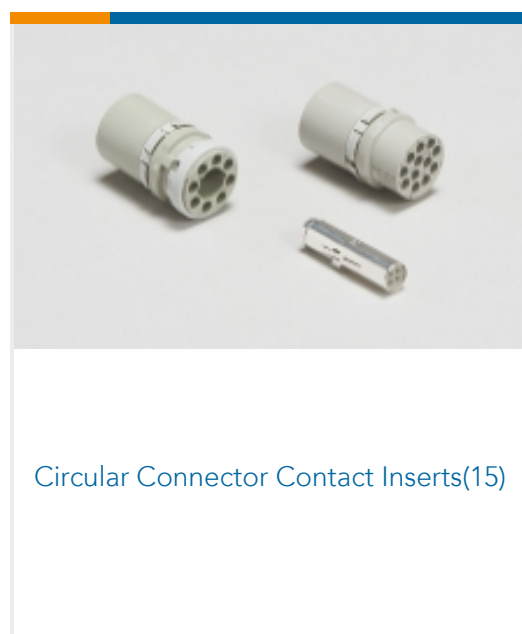
Product Compliance Disclaimer

This information is provided based on reasonable inquiry of our suppliers and represents our current actual knowledge based on the information they provided. This information is subject to change. The part numbers that TE has identified as EU RoHS compliant have a maximum concentration of 0.1% by weight in homogenous materials for lead, hexavalent chromium, mercury, PBB, PBDE, DBP, BBP, DEHP, DIBP, and 0.01% for cadmium, or qualify for an exemption to these limits as defined in the Annexes of Directive 2011/65/EU (RoHS2). Finished electrical and electronic equipment products will be CE marked as required by Directive 2011/65/EU. Components may not be CE marked. Additionally, the part numbers that TE has identified as EU ELV compliant have a maximum concentration of 0.1% by weight in homogenous materials for lead, hexavalent chromium, and mercury, and 0.01% for cadmium, or qualify for an exemption to these limits as defined in the Annexes of Directive 2000/53/EC (ELV). Regarding the REACH Regulations, TE's information on SVHC in articles for this part number is still based on the European Chemical Agency (ECHA) 'Guidance on requirements for substances in articles' (Version: 2, April 2011), applying the 0.1% weight on weight concentration threshold at the finished product level. TE is aware of the European Court of Justice ruling of September 10th, 2015 also known as O5A (Once An Article Always An Article) stating that, in case of 'complex object', the threshold for a SVHC must be applied to both the product as a whole and simultaneously to each of the articles forming part of its composition. TE has evaluated this ruling based on the new ECHA "Guidance on requirements for substances in articles" (June 2017, version 4.0) and will be updating its statements accordingly.

Compatible Parts



Also in the Series | CIRH



Customers Also Bought



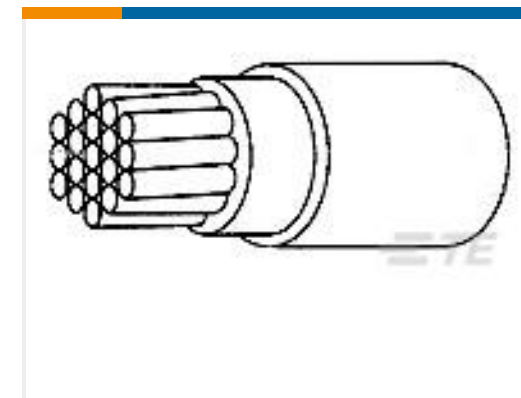
TE Part #414002-3
SMB Connector: Female (Plug), Mated
Outer Dia. 4.75mm, 50 Ohm



TE Part #1676310-1
RN 0805 34K8 0.1% 10PPM CUT
LENGTH



TE Part #Y5015-000000100128
4 HOLE FLANGE RECEPTACLE REAR
PNL FEM.



TE Part #1594793001
100G0111-0.60-6




TE Part #1546310-5
5P .563" DR BARRIER STRIP



TE Part #1-2213767-7
AV19 SPM 5A MOVE RING LED BLUE
12V



TE Part #1616073-3
NN307A (FAA/PMA)=RELAY



TE Part #4421213001
100G0121-0.15-0/9



TE Part #3838653001
44A0121-20-0/2



TE Part #2180363002
55A0811-8-9

Documents

Product Drawings

[FIXED PIN CONNECTOR](#)

French

Datasheets & Catalog Pages

[CIRH Brochure](#)

English

Product Specifications

[Application Specification](#)

French