

5745833-1 ✓ ACTIVE

AMPLIMITE | AMPLIMITE Kit

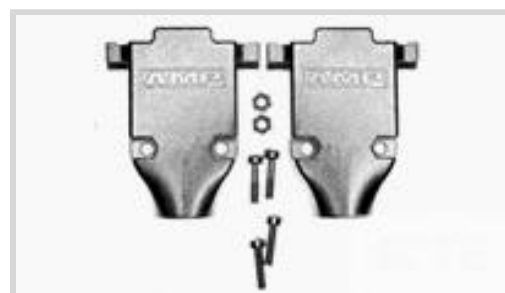
TE Internal #: 5745833-1

AMPLIMITE Kit, D-Sub Backshells & Clamps, Cable Clamp Kit, Two-Piece RFI/EMI Shield, 25 Position, Compatible With Connector Shell Size 3, Shielded

[View on TE.com >](#)



Connectors > D-Shaped Connectors > D-Sub Accessories > D-Sub Backshells & Clamps



D-Shaped Connector Accessories: **Cable Clamp Kit**

Cable Clamp Type: **Two-Piece RFI/EMI Shield**

Number of Positions: **25**

Compatible With Connector Shell Size: **3**

Shielded: **Yes**

Features

Product Type Features

Grommets	Without
Product Type	Accessory
D-Shaped Connector Accessories	Cable Clamp Kit
Connector & Contact Terminates To	Wire & Cable

Configuration Features

Number of Positions	25
---------------------	----

Body Features

Shield Plating Material	Nickel over Copper
Cable Clamp Plating Material	Nickel over Copper
Cable Clamp Material	Metal Plated Thermoplastic
Shield Plating Finish	Bright
Cable Clamp Type	Two-Piece RFI/EMI Shield
Cable Exit Angle	180° (In-Line)

Mechanical Attachment

Screw & Hole Thread Size	4-40
--------------------------	------

Dimensions

Cable Insulation Diameter Range	13.46 mm[.53 in]
---------------------------------	------------------

Usage Conditions



Operating Temperature Range	-55 – 85 °C[-67 – 185 °F]
-----------------------------	---------------------------

Operation/Application

Compatible With Connector Shell Size	3
Shielded	Yes

Packaging Features

Packaging Quantity	1
Packaging Method	Bag

Other

Comment	All parts are packaged unassembled., For use with Grommet Set Part No. 747973-1, Jackscrews must be purchased separately., Shielded cable clamps will not accept connector housings with clinch nuts.
Long Turnable Jackscrew Part Number	747784-3

Product Compliance

[For compliance documentation, visit the product page on TE.com>](#)

EU RoHS Directive 2011/65/EU	Compliant with Exemptions
EU ELV Directive 2000/53/EC	Compliant
China RoHS 2 Directive MIIT Order No 32, 2016	Restricted Materials Above Threshold
EU REACH Regulation (EC) No. 1907/2006	Current ECHA Candidate List: JAN 2021 (211) Candidate List Declared Against: JAN 2021 (211) SVHC > Threshold: Pb (.35% in Component Part) Article Safe Usage Statements: Do not eat, drink or smoke when using this product. Wash thoroughly after handling. Recycle if possible and dispose of the article by following all applicable governmental regulations relevant to your geographic location.
Halogen Content	Not Low Halogen - contains Br or Cl > 900 ppm.
Solder Process Capability	Not applicable for solder process capability

Product Compliance Disclaimer

This information is provided based on reasonable inquiry of our suppliers and represents our current actual knowledge based on the information they provided. This information is subject to change. The part numbers that TE has identified as EU RoHS compliant have a maximum concentration of 0.1% by weight in homogenous materials for lead, hexavalent chromium, mercury, PBB, PBDE, DBP, BBP, DEHP, DIBP, and 0.01% for cadmium, or qualify for an exemption to these limits as defined in the Annexes of Directive 2011/65/EU (RoHS2). Finished electrical and electronic equipment products will be CE marked as required by Directive 2011/65/EU. Components may not be CE marked. Additionally, the part numbers that TE has identified as EU ELV compliant have a maximum concentration of 0.1% by weight in homogenous materials for lead, hexavalent chromium, and mercury, and 0.01% for cadmium, or qualify for an exemption to these limits



as defined in the Annexes of Directive 2000/53/EC (ELV). Regarding the REACH Regulation, the information TE provides on SVHC in articles for this part number is based on the latest European Chemicals Agency (ECHA) 'Guidance on requirements for substances in articles' posted at this URL: <https://echa.europa.eu/guidance-documents/guidance-on-reach>

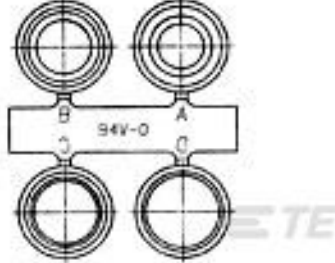
Compatible Parts



TE Part # CAT-AM7-248H3
IDC D-Sub: Plug Assembly, Wire to Wire, Signal, 2.77 mm



TE Part # 745255-2
SPRING LATCH 2/BAG



TE Part # 747973-1
GROMMET ASSORTMENT, SZ 3,4 & 5

Also in the Series | AMPLIMITE Kit




D-Sub Backshells & Clamps(136)



D-Sub Contact Accessories(1)



D-Sub Covers(3)



D-Sub Locking & Mounting(122)

Customers Also Bought



TE Part #1658648-1
D-Sub Crimp: Plug, Signal, 25 Posn, Pin Size 20, Shell Size 3



TE Part #205204-8
D-Sub Crimp: Plug, Signal, 9 Posn, Pin Size 20, Shell Size 1



TE Part #1-5747301-6
D-Sub Receptacle Assembly: Vertical, Shell Size 4, 2.77mm



TE Part #1658641-1
D-Sub Crimp: Plug, Signal, 50 Posn, Pin Size 20, Shell Size 5



TE Part #3-2176306-3
RP 1E 0.1W 2K49 0.1% 25PPM 5K RL



TE Part #3-747579-4
SHLDNG FERRULE, PLTD, BULK PKG



TE Part #3-644694-2
Polyester Right Angle PCB Header: 2.54mm, Breakaway, MTA 100



TE Part #1986563-4
SSB7TP040402=TERM BLOCK ASSY



Documents

Product Drawings

[CABLE CLAMP KIT,SZ 3](#)

English

CAD Files

Customer View Model

[ENG_CVM_5745833-1_A.3d_igs.zip](#)

English

Customer View Model

[ENG_CVM_5745833-1_A.3d_stp.zip](#)

English

Customer View Model

[ENG_CVM_5745833-1_A.2d_dxf.zip](#)

English

[3D PDF](#)

English

By downloading the CAD file I accept and agree to the [Terms and Conditions](#) of use.

Datasheets & Catalog Pages

[AMPLIMITE Subminiature D Connectors - Cable Connectors](#)

English

[AMPLIMITE Cable Connectors and Shielding Hardware Kits QRG](#)

English

Product Specifications

[Product Specification](#)

English

[Product Specification](#)

English

Product Environmental Compliance

[MD_5745833-1_06012018419_dmtec](#)

English

[MD_5745833-1_06012018419_dmtec](#)

English



[Instruction Sheets](#)

[Instruction Sheet \(U.S.\)](#)

English