

5748558-4 ✓ ACTIVE

AMPLIMITE | AMPLIMITE Kit

TE Internal #: 5748558-4

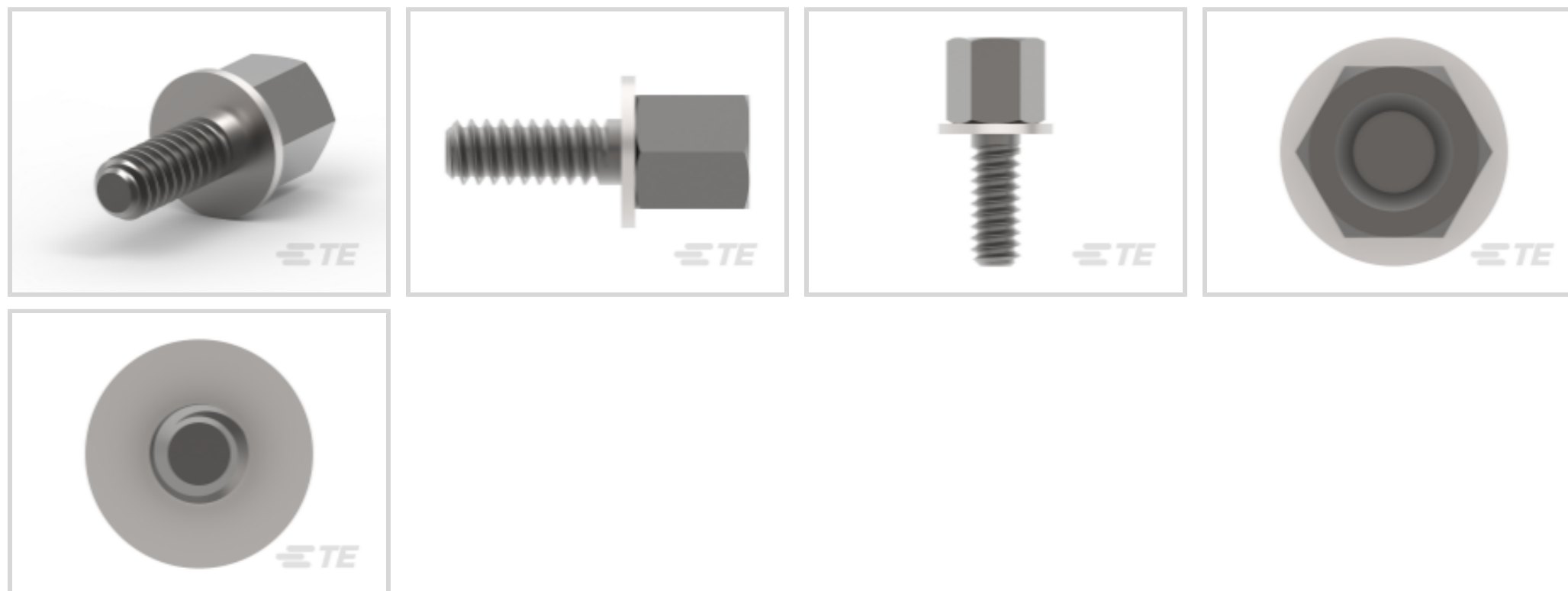
AMPLIMITE Kit, D-Sub Locking & Mounting, Female Screwlock

Assembly Kit, Screw Length .5 in [12.7 mm]

[View on TE.com >](#)



Connectors > D-Shaped Connectors > D-Sub Accessories > Locking & Mounting



D-Shaped Connector Accessories: **Female Screwlock Assembly Kit**

Screw Length: 12.7 mm [.5 in]

Features

Product Type Features

Product Type	Accessory
D-Shaped Connector Accessories	Female Screwlock Assembly Kit

Mechanical Attachment

Screw Plating Material	Zinc
Screwlock Style	Screwlock Only
Screw Material	Steel
Screw Finish	Clear Chromate
Screw & Hole Thread Size	4-40 UNC
Screw Length	12.7 mm [.5 in]

Dimensions

Thread Length	6.52 mm [.257 in]
---------------	-------------------

Operation/Application

For Use With	Metal Shell or All Plastic Connectors (HDP or HDF)
--------------	--

Packaging Features

Packaging Quantity	500
Packaging Method	Bag, Individual

Product Compliance

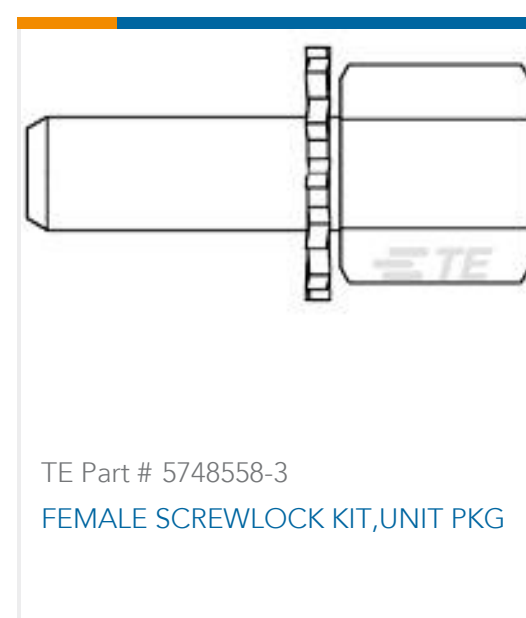
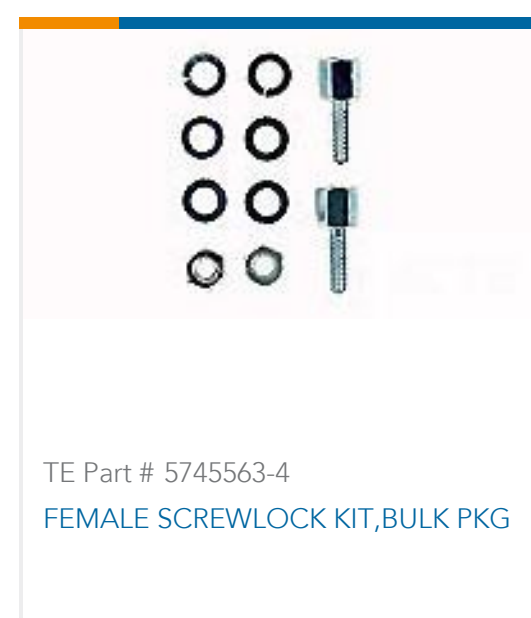
[For compliance documentation, visit the product page on TE.com>](#)

EU RoHS Directive 2011/65/EU	Compliant
EU ELV Directive 2000/53/EC	Compliant
China RoHS 2 Directive MIIT Order No 32, 2016	No Restricted Materials Above Threshold
EU REACH Regulation (EC) No. 1907/2006	Current ECHA Candidate List: JAN 2021 (211) Candidate List Declared Against: JAN 2021 (211) Does not contain REACH SVHC
Halogen Content	Low Halogen - Br, Cl, F, I < 900 ppm per homogenous material. Also BFR/CFR/PVC Free
Solder Process Capability	Not applicable for solder process capability

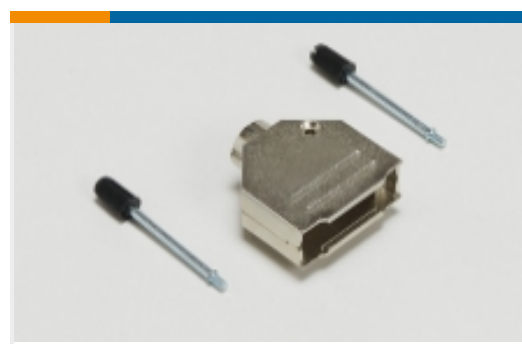
Product Compliance Disclaimer

This information is provided based on reasonable inquiry of our suppliers and represents our current actual knowledge based on the information they provided. This information is subject to change. The part numbers that TE has identified as EU RoHS compliant have a maximum concentration of 0.1% by weight in homogenous materials for lead, hexavalent chromium, mercury, PBB, PBDE, DBP, BBP, DEHP, DIBP, and 0.01% for cadmium, or qualify for an exemption to these limits as defined in the Annexes of Directive 2011/65/EU (RoHS2). Finished electrical and electronic equipment products will be CE marked as required by Directive 2011/65/EU. Components may not be CE marked. Additionally, the part numbers that TE has identified as EU ELV compliant have a maximum concentration of 0.1% by weight in homogenous materials for lead, hexavalent chromium, and mercury, and 0.01% for cadmium, or qualify for an exemption to these limits as defined in the Annexes of Directive 2000/53/EC (ELV). Regarding the REACH Regulation, the information TE provides on SVHC in articles for this part number is based on the latest European Chemicals Agency (ECHA) 'Guidance on requirements for substances in articles' posted at this URL: <https://echa.europa.eu/guidance-documents/guidance-on-reach>

Compatible Parts



Also in the Series | **AMPLIMITE Kit**



D-Sub Backshells & Clamps(136)



D-Sub Contact Accessories(1)



D-Sub Covers(3)



D-Sub Locking & Mounting(122)

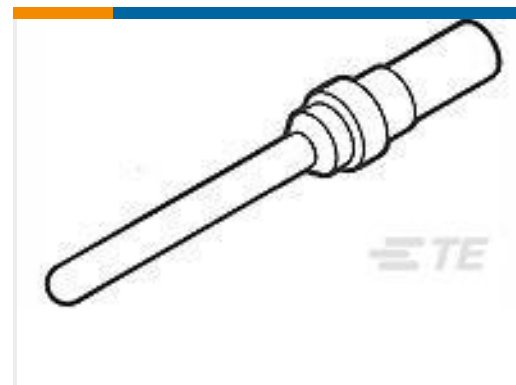
Customers Also Bought



TE Part #1-745967-4
D-Sub Receptacle Assembly: Vertical,
Shell Size 3, 2.77mm



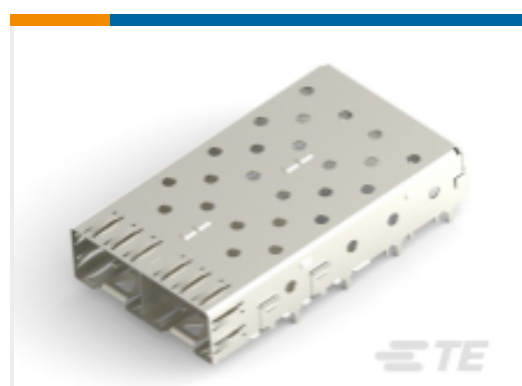
TE Part #2-1879074-2
Power Resistor: Aluminum Housed, 75
Watt



TE Part #206794-4
PIN CONTACT, SZ 20



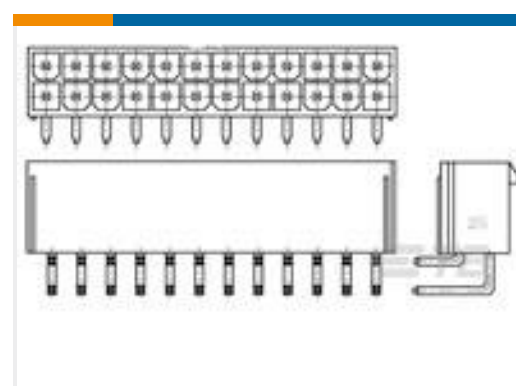
TE Part #171506-1
PIDG RING (22-18)



TE Part #1761014-3
SFP 1X2 CAGE ASSY, PRESS FIT



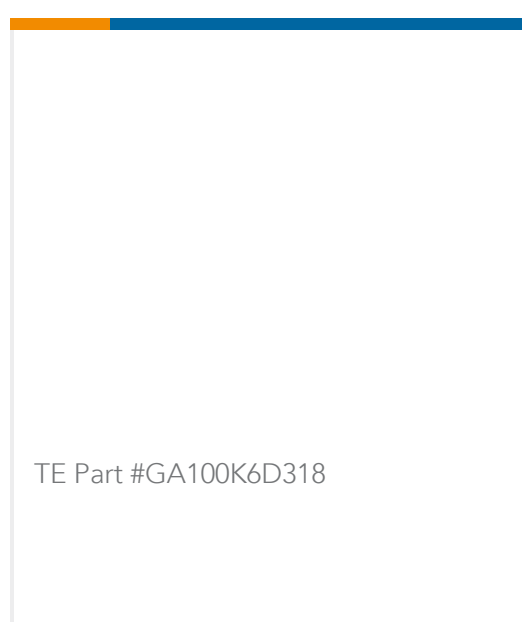
TE Part #207535-1
HSG,SINGLE POSN FREE HANGING



TE Part #1586863-8
8P VAL-U-LOK R/A HDR GW



TE Part #207654-1
KEYING PLUG



TE Part #GA100K6D318

Documents

Product Drawings

FEMALE SCREWLOCK KIT,BULK PKG

English

CAD Files

3D PDF

3D

Customer View Model

ENG_CVM_CVM_5748558-4_O.2d_dxf.zip



English

Customer View Model

[ENG_CVM_CVM_5748558-4_O.3d_igs.zip](#)

English

Customer View Model

[ENG_CVM_CVM_5748558-4_O.3d_stp.zip](#)

English

By downloading the CAD file I accept and agree to the [Terms and Conditions](#) of use.

Datasheets & Catalog Pages

[AMPLIMITE Subminiature D Connectors - Cable Connectors](#)

English

[AMPLIMITE Cable Connectors and Shielding Hardware Kits QRG](#)

English

Product Environmental Compliance

[TE Material Declaration](#)

English

Instruction Sheets

[Instruction Sheet \(U.S.\)](#)

English