

750752-1 ✓ ACTIVE

AMPLIMITE | AMPLIMITE 0.50 Series

TE Internal #: 750752-1

AMPLIMITE 0.50 Series, D-Sub Backshells & Clamps, Backshell Kit, 68 Position, Shielded, Cable Insulation Diameter Range 13.97 mm [.55 in]

[View on TE.com >](#)



Connectors > D-Shaped Connectors > D-Sub Accessories > D-Sub Backshells & Clamps



D-Shaped Connector Accessories: **Backshell Kit**

Number of Positions: **68**

Shielded: **Yes**

Cable Insulation Diameter Range: **13.97 mm [.55 in]**

Connector & Contact Terminates To: **Wire & Cable**

Features

Product Type Features

Product Type	Accessory
D-Shaped Connector Accessories	Backshell Kit
Connector & Contact Terminates To	Wire & Cable

Configuration Features

Number of Positions	68
---------------------	----

Body Features

Boot Material	PVC
Staple Material	Carbon Steel
Color	Black
Staple Plating Material	Tin-Lead over Nickel
Backshell Material	Zinc

Mechanical Attachment

Screw & Hole Thread Size	2-56
--------------------------	------

Dimensions

Cable Insulation Diameter Range	13.97 mm[.55 in]
---------------------------------	------------------

Operation/Application

Shielded	Yes
----------	-----



Packaging Features

Packaging Quantity	1
Packaging Method	Bulk

Other

Comment	Each enclosure kit contains two backshells, one boot, two jackscrews, one staple and four screws. All are packaged unassembled., Meets SCSI-3 standards
---------	---

Product Compliance

[For compliance documentation, visit the product page on TE.com>](#)

EU RoHS Directive 2011/65/EU	Not Yet Reviewed
EU ELV Directive 2000/53/EC	Not Compliant
China RoHS 2 Directive MIIT Order No 32, 2016	Restricted Materials Above Threshold
EU REACH Regulation (EC) No. 1907/2006	Current ECHA Candidate List: JAN 2021 (211) Candidate List Declared Against: DEC 2012 (138) SVHC > Threshold: Not Yet Reviewed
Halogen Content	Not Yet Reviewed for halogen content
Solder Process Capability	Not applicable for solder process capability

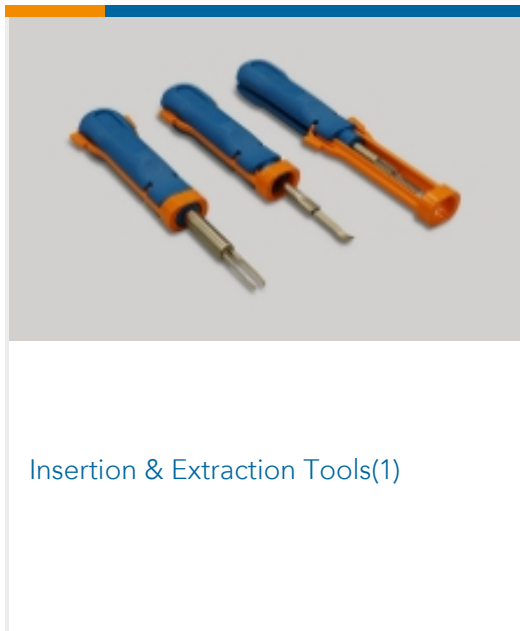
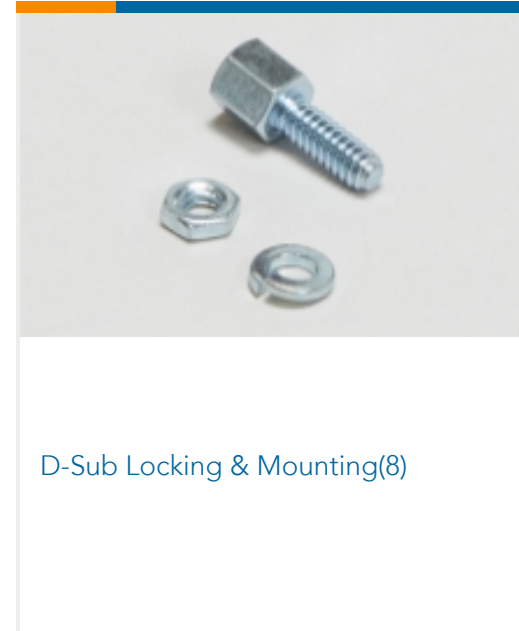
Product Compliance Disclaimer

This information is provided based on reasonable inquiry of our suppliers and represents our current actual knowledge based on the information they provided. This information is subject to change. The part numbers that TE has identified as EU RoHS compliant have a maximum concentration of 0.1% by weight in homogenous materials for lead, hexavalent chromium, mercury, PBB, PBDE, DBP, BBP, DEHP, DIBP, and 0.01% for cadmium, or qualify for an exemption to these limits as defined in the Annexes of Directive 2011/65/EU (RoHS2). Finished electrical and electronic equipment products will be CE marked as required by Directive 2011/65/EU. Components may not be CE marked. Additionally, the part numbers that TE has identified as EU ELV compliant have a maximum concentration of 0.1% by weight in homogenous materials for lead, hexavalent chromium, and mercury, and 0.01% for cadmium, or qualify for an exemption to these limits as defined in the Annexes of Directive 2000/53/EC (ELV). Regarding the REACH Regulations, TE's information on SVHC in articles for this part number is still based on the European Chemical Agency (ECHA) 'Guidance on requirements for substances in articles' (Version: 2, April 2011), applying the 0.1% weight on weight concentration threshold at the finished product level. TE is aware of the European Court of Justice ruling of September 10th, 2015 also known as O5A (Once An Article Always An Article) stating that, in case of 'complex object', the threshold for a SVHC must be applied to both the product as a whole and simultaneously to each of the articles forming part of its composition. TE has evaluated this ruling based on the new ECHA "Guidance on requirements for substances in articles" (June 2017, version 4.0) and will be updating its statements accordingly.

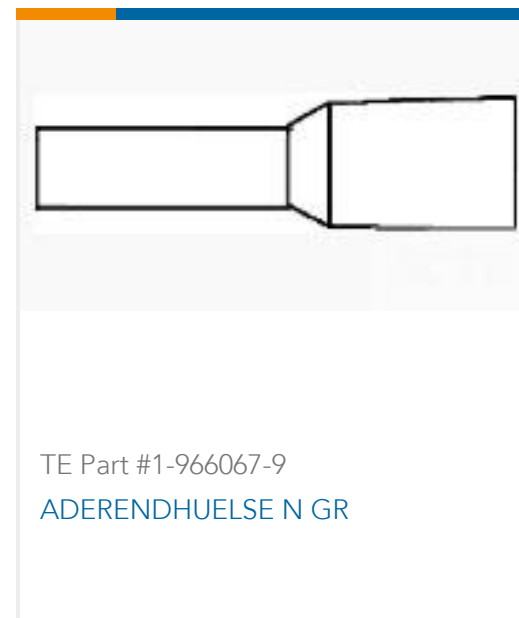
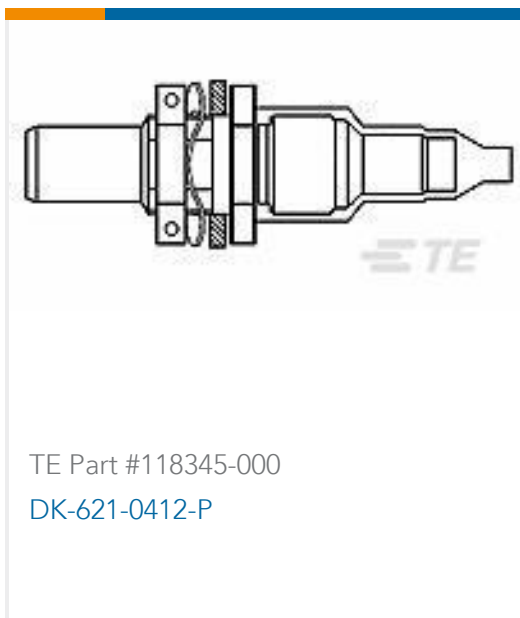
Compatible Parts



Also in the Series | **AMPLIMITE 0.50 Series**



Customers Also Bought





TE Part #1052063-1
2037 5005 02,SMA RA CABLE PLUG



TE Part #1408339-1
QMA BULKHEAD CABLE JACK, RG316

Documents

Product Drawings

68 50SR BKSHELL KIT W/BOOT

English

CAD Files

3D PDF

English

Customer View Model

[ENG_CVM_750752-1_G2.3d_igs.zip](#)

English

Customer View Model

[ENG_CVM_750752-1_G2.3d_stp.zip](#)

English

Customer View Model

[ENG_CVM_750752-1_G2.2d_dxf.zip](#)

English

By downloading the CAD file I accept and agree to the [Terms and Conditions](#) of use.

Product Specifications

Application Specification

English

Instruction Sheets

Instruction Sheet (U.S.)

English

Instruction Sheet (U.S.)

English

Instruction Sheet (U.S.)

English

Instruction Sheet (U.S.)

English