

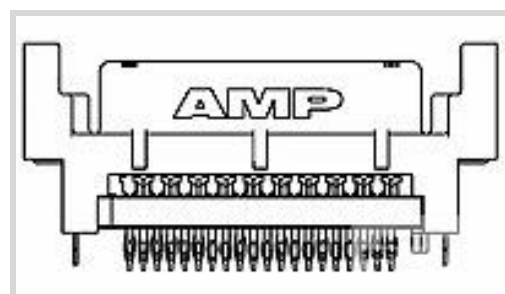


CHAMP .050 Blindmate

TE Internal #: 787900-2

TE Internal Description: 80 BMATE RCPT ASSY, PB FREE

[View on TE.com >](#)



Product Compliance

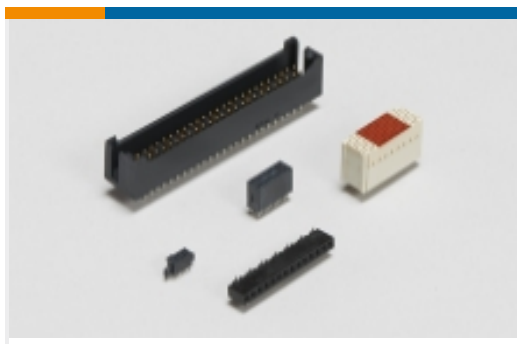
[For compliance documentation, visit the product page on TE.com>](#)

EU RoHS Directive 2011/65/EU	Compliant
EU ELV Directive 2000/53/EC	Compliant
China RoHS 2 Directive MIIT Order No 32, 2016	No Restricted Materials Above Threshold
EU REACH Regulation (EC) No. 1907/2006	Current ECHA Candidate List: JAN 2021 (211) Candidate List Declared Against: JUN 2020 (209) SVHC > Threshold: Not Yet Reviewed
Halogen Content	Low Halogen - Br, Cl, F, I < 900 ppm per homogenous material. Also BFR/CFR/PVC Free
Solder Process Capability	Pin-in-Paste capable to 260°C

Product Compliance Disclaimer

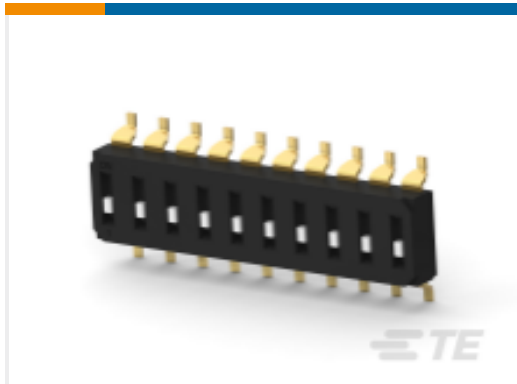
This information is provided based on reasonable inquiry of our suppliers and represents our current actual knowledge based on the information they provided. This information is subject to change. The part numbers that TE has identified as EU RoHS compliant have a maximum concentration of 0.1% by weight in homogenous materials for lead, hexavalent chromium, mercury, PBB, PBDE, DBP, BBP, DEHP, DIBP, and 0.01% for cadmium, or qualify for an exemption to these limits as defined in the Annexes of Directive 2011/65/EU (RoHS2). Finished electrical and electronic equipment products will be CE marked as required by Directive 2011/65/EU. Components may not be CE marked. Additionally, the part numbers that TE has identified as EU ELV compliant have a maximum concentration of 0.1% by weight in homogenous materials for lead, hexavalent chromium, and mercury, and 0.01% for cadmium, or qualify for an exemption to these limits as defined in the Annexes of Directive 2000/53/EC (ELV). Regarding the REACH Regulation, the information TE provides on SVHC in articles for this part number is based on the latest European Chemicals Agency (ECHA) 'Guidance on requirements for substances in articles' posted at this URL: <https://echa.europa.eu/guidance-documents/guidance-on-reach>

Also in the Series | [CHAMP .050 Blindmate](#)



Board-to-Board Headers & Receptacles(9)

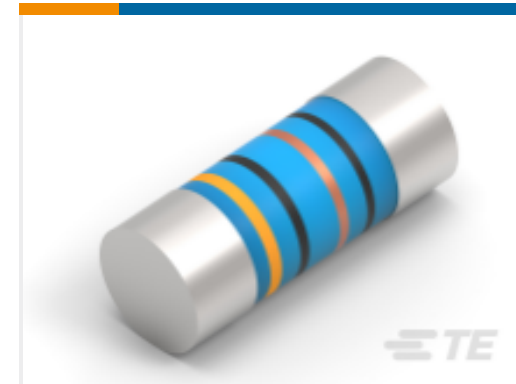
Customers Also Bought



TE Part #3-2319848-1
END STACK DIP 10P G RECESS SEAL TUBE



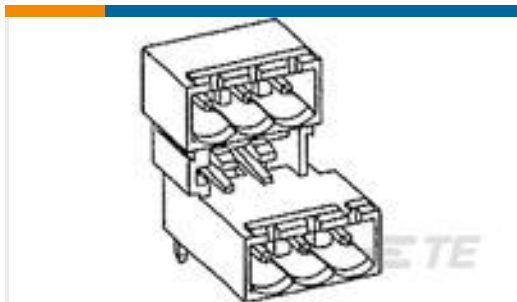
TE Part #2331390-1
DET SW5.7X4.0X2.0 GW HORZ. NC AG RL



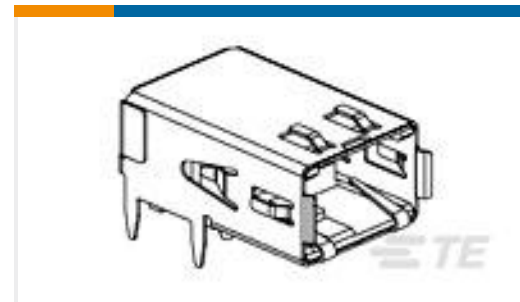
TE Part #2176314-4
MELF SMA_A 180R 0.1% 15PPM 0102 0.3W



TE Part #5146893-2
Free Height Receptacle Conn: Board-Board, Vertical, 84, 1mm



TE Part #284061-5
TERMI-BLOK HDR 90, 5,08MM P. M



TE Part #1761072-3
RECPT, HSSDC2, FIBRE, TRAY PKG



TE Part #1-1825006-9
GDS10S04=DIP SW, SLIDE, SMT



TE Part #1-928836-2
MOD2 PIN WITH A-PIN L/P



TE Part #3-1415020-1
PT570N20



TE Part #4-1624112-0
3650 0402 9.0nH 5% 2K RL

Documents

Product Drawings

80 BMATE RCPT ASSY, PB FREE

English

CAD Files

3D PDF

English

Customer View Model

ENG_CVM_787900-2_J.2d_dxf.zip



English

Customer View Model

[ENG_CVM_787900-2_J.3d_igs.zip](#)

English

Customer View Model

[ENG_CVM_787900-2_J.3d_stp.zip](#)

English

By downloading the CAD file I accept and agree to the [Terms and Conditions](#) of use.

Product Specifications

[Application Specification](#)

English

Instruction Sheets

[Instruction Sheet \(U.S.\)](#)

English