

179463-1 ✓ ACTIVE



## Power Double Lock

TE Internal #: 179463-1

Power Double Lock, Rectangular Power Connectors, Housing, Receptacle, Wire-to-Wire, 2 Position, 3.96mm [.156in] Centerline, Wire & Cable, UL 94V-0

[View on TE.com >](#)

Connectors > Power Connectors > Rectangular Power > Rectangular Power Connectors



Rectangular Power Connector Type: **Housing**

Connector & Housing Type: **Receptacle**

Connector System: **Wire-to-Wire**

Number of Positions: **2**

Centerline (Pitch): **3.96 mm [.156 in]**

## Features

### Product Type Features

Rectangular Power Connector Type	Housing
Connector & Housing Type	Receptacle
Connector System	Wire-to-Wire
Sealable	No
Connector & Contact Terminates To	Wire & Cable

### Configuration Features

Number of Positions	2
Number of Power Positions	0
Number of Signal Positions	0
Number of Rows	1

### Electrical Characteristics

Operating Voltage	300 VAC
-------------------	---------

### Contact Features

Contact Layout	Inline
----------------	--------



Contact Retention Within Housing	Without
----------------------------------	---------

Contact Type	Tab
--------------	-----

### Termination Features

Termination Method to Wire & Cable	Crimp
------------------------------------	-------

Wire/Cable Type	Discrete Wire
-----------------	---------------

Wire Type	Stranded
-----------	----------

### Mechanical Attachment

Connector Mounting Type	Cable Mount (Free-Hanging)
-------------------------	----------------------------

### Housing Features

Centerline (Pitch)	3.96 mm [.156 in]
--------------------	-------------------

Housing Color	Natural
---------------	---------

Housing Material	Nylon 6/6
------------------	-----------

### Usage Conditions

Operating Temperature Range	-30 – 105 °C [-22 – 221 °F]
-----------------------------	-----------------------------

### Operation/Application

Circuit Application	Power & Signal
---------------------	----------------

### Industry Standards

UL Flammability Rating	UL 94V-0
------------------------	----------

Glow Wire Rating	Standard Part - Not Glow Wire
------------------	-------------------------------

Agency/Standard Number	UL 1977
------------------------	---------

Agency/Standard	UL
-----------------	----

### Packaging Features

Packaging Method	Bag
------------------	-----

Packaging Quantity	300
--------------------	-----

### Other

For Use With	Contacts: 177916 or 177917, Double Lock Plate 177918-1, Plug: 177898
--------------	--

### Product Compliance

For compliance documentation, visit the product page on [TE.com](https://www.te.com)>

EU RoHS Directive 2011/65/EU	Compliant
------------------------------	-----------

EU ELV Directive 2000/53/EC	Compliant
-----------------------------	-----------




China RoHS 2 Directive MIIT Order No 32, 2016	No Restricted Materials Above Threshold
EU REACH Regulation (EC) No. 1907/2006	Current ECHA Candidate List: JAN 2021 (211) Candidate List Declared Against: JAN 2021 (211) Does not contain REACH SVHC
Halogen Content	Low Halogen - Br, Cl, F, I < 900 ppm per homogenous material. Also BFR/CFR/PVC Free
Solder Process Capability	Not applicable for solder process capability

Product Compliance Disclaimer

This information is provided based on reasonable inquiry of our suppliers and represents our current actual knowledge based on the information they provided. This information is subject to change. The part numbers that TE has identified as EU RoHS compliant have a maximum concentration of 0.1% by weight in homogenous materials for lead, hexavalent chromium, mercury, PBB, PBDE, DBP, BBP, DEHP, DIBP, and 0.01% for cadmium, or qualify for an exemption to these limits as defined in the Annexes of Directive 2011/65/EU (RoHS2). Finished electrical and electronic equipment products will be CE marked as required by Directive 2011/65/EU. Components may not be CE marked. Additionally, the part numbers that TE has identified as EU ELV compliant have a maximum concentration of 0.1% by weight in homogenous materials for lead, hexavalent chromium, and mercury, and 0.01% for cadmium, or qualify for an exemption to these limits as defined in the Annexes of Directive 2000/53/EC (ELV). Regarding the REACH Regulation, the information TE provides on SVHC in articles for this part number is based on the latest European Chemicals Agency (ECHA) 'Guidance on requirements for substances in articles' posted at this URL: <https://echa.europa.eu/guidance-documents/guidance-on-reach>

## Compatible Parts



TE Part # CAT-P87024-P729  
STD Temp Power Double Lock Plug




TE Part # CAT-P87024-T111  
Power Double Lock Tab




TE Part # 2005248-1  
PDL 2P CAP 3.96 F/H(GWT) NAT


## Also in the Series | Power Double Lock




Connector Contacts(1)



Insertion & Extraction Tools(2)



Power Contacts(18)



Rectangular Connector Locking(14)

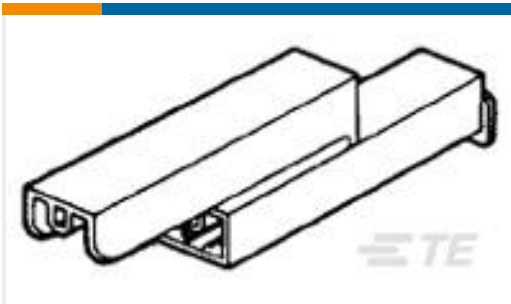


Rectangular Power Connectors(277)

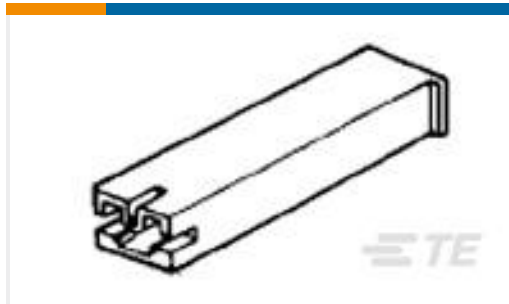
## Customers Also Bought



TE Part #176498-1  
POSITIVE LOCK 187 (4.8 MM)  
HOUSING



TE Part #174712-1  
PL 187 (4.8 MM) HOUSING  
RECEPTACLE



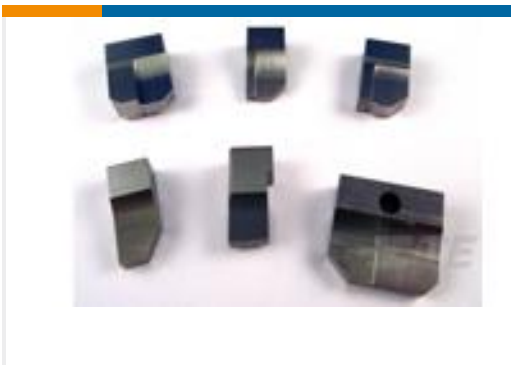
TE Part #173974-1  
187 HSG. PL MKII REC. NAT



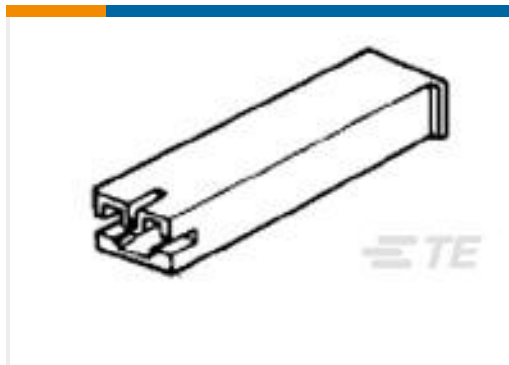
TE Part #917701-1  
2.5 SIGNAL DBL LOCK DLP 5P



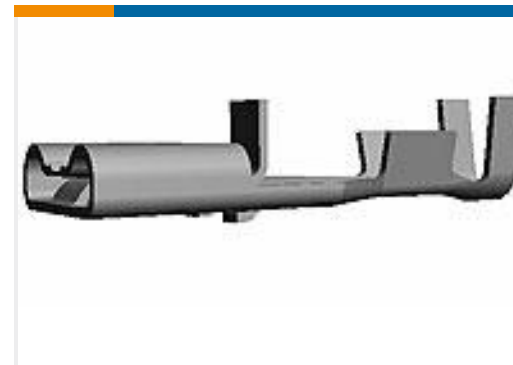
TE Part #174458-1  
LOW & MEDIUM POWER HEADER



TE Part #1333233-1  
ANVIL, COMBINATION SPECIAL



TE Part #173974-4  
PL 187 (4.8 MM) HOUSING  
RECEPTACLE



TE Part #170327-1  
250 PL MKII REC. 22-18AWG PTBR



TE Part #1217039-1  
TIMER CONNECTOR GEN 3 18-14  
POST-TPBR



TE Part #1744544-5  
EP II TPA 05P, BLACK

## Documents

### Product Drawings

[POWER DBL LOCK CAP HSG F/H 2P](#)

English

### CAD Files

[3D PDF](#)

3D

[Customer View Model](#)

[ENG\\_CVM\\_CVM\\_179463-1\\_U.2d\\_dxf.zip](#)



English

#### Customer View Model

[ENG\\_CVM\\_CVM\\_179463-1\\_U.3d\\_igs.zip](#)

English

#### Customer View Model

[ENG\\_CVM\\_CVM\\_179463-1\\_U.3d\\_stp.zip](#)

English

By downloading the CAD file I accept and agree to the [Terms and Conditions](#) of use.

### Datasheets & Catalog Pages

[SOFT\\_SHELL\\_PIN\\_AND\\_SOCKET\\_CONNECTORS\\_CATALOG](#)

English

[1773458-5\\_POWER\\_DBL\\_LOCK\\_\(PDL\)\\_CONNECTORS](#)

English

### Product Specifications

[Product Specification](#)

English

### Product Environmental Compliance

[MD\\_179463-1\\_11222018551\\_dmtec](#)

English

[MD\\_179463-1\\_11222018551\\_dmtec](#)

English

### Instruction Sheets

[Instruction Sheet \(non U.S.\)](#)

English

[AMP POWER DOUBLELOCK CONNECTOR SERIES](#)

English

### Agency Approvals

[UL Report](#)

English

[UL Report](#)

English