

5-583649-2 ✓ ACTIVE

AMP | AMP Twin-Leaf

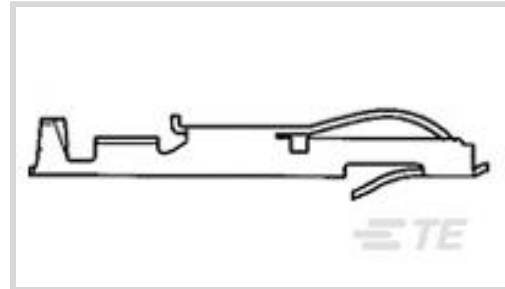
TE Internal #: 5-583649-2

AMP Twin-Leaf, Connector Contact, Socket, Wire-to-Board, 3.18 mm / 3.96mm [.156in] Centerline, 22 – 18AWG Wire Size, 642 – 1624CMA Wire Size

[View on TE.com >](#)



Connectors > PCB Connectors > Wire-to-Board Connectors > Wire-to-Board Connector Contacts



Contact Type: **Socket**

Connector System: **Wire-to-Board**

Centerline (Pitch): **3.18 mm, 3.96 mm [.156 in]**

Wire Size: **642 – 1624 CMA**

Features

Product Type Features

Connector System	Wire-to-Board
Sealable	No
Connector & Contact Terminates To	Wire & Cable

Contact Features

Contact Retention Within Housing	With
	15 µin
Wire Contact Termination Area Plating Material	Tin-Lead
Contact Underplating Material	Nickel
PCB Contact Termination Area Plating Material	Tin
Contact Base Material	Phosphor Bronze
Contact Type	Socket
Contact Mating Area Plating Material	Gold
Contact Current Rating (Max)	5 A

Termination Features

Termination Method to Wire & Cable	Crimp
------------------------------------	-------

Mechanical Attachment

Contact Retention Type Within Housing	Locking Lance
---------------------------------------	---------------

Housing Features

Centerline (Pitch)	3.18 mm, 3.96 mm [.156 in]
--------------------	----------------------------



Dimensions

Accepts Wire Insulation Diameter Range	1.14 – 2.41 mm [.045 – .095 in]
Wire Size	.3 – .9 mm ²

Usage Conditions

Operating Temperature Range	-40 – 85 °C [-40 – 185 °F] [-40 – 185 °F]
-----------------------------	---

Operation/Application

Circuit Application	Power & Signal
---------------------	----------------

Identification Marking

Wire Range Color Code	Violet
-----------------------	--------

Packaging Features

Packaging Quantity	7000
Packaging Method	Strip

Product Compliance

[For compliance documentation, visit the product page on TE.com>](#)

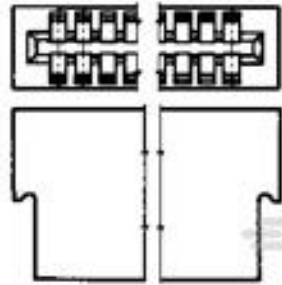
EU RoHS Directive 2011/65/EU	Compliant
EU ELV Directive 2000/53/EC	Compliant with Exemptions
China RoHS 2 Directive MIIT Order No 32, 2016	No Restricted Materials Above Threshold
EU REACH Regulation (EC) No. 1907/2006	Current ECHA Candidate List: JAN 2021 (211) Candidate List Declared Against: JUL 2017 (174) SVHC > Threshold: Not Yet Reviewed
Halogen Content	Low Halogen - Br, Cl, F, I < 900 ppm per homogenous material. Also BFR/CFR/PVC Free
Solder Process Capability	Not applicable for solder process capability

Product Compliance Disclaimer

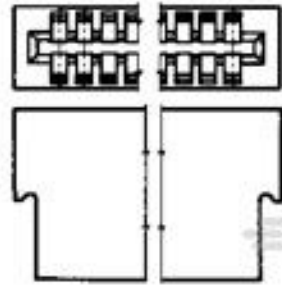
This information is provided based on reasonable inquiry of our suppliers and represents our current actual knowledge based on the information they provided. This information is subject to change. The part numbers that TE has identified as EU RoHS compliant have a maximum concentration of 0.1% by weight in homogenous materials for lead, hexavalent chromium, mercury, PBB, PBDE, DBP, BBP, DEHP, DIBP, and 0.01% for cadmium, or qualify for an exemption to these limits as defined in the Annexes of Directive 2011/65/EU (RoHS2). Finished electrical and electronic equipment products will be CE marked as required by Directive 2011/65/EU. Components may not be CE marked. Additionally, the part numbers that TE has identified as EU ELV compliant have a maximum concentration of 0.1% by weight in homogenous materials for lead, hexavalent chromium, and mercury, and 0.01% for cadmium, or qualify for an exemption to these limits as defined in the Annexes of Directive 2000/53/EC (ELV). Regarding the REACH Regulations, TE's information on SVHC in articles for this part number is still based on the European Chemical Agency (ECHA) 'Guidance on requirements for

substances in articles' (Version: 2, April 2011), applying the 0.1% weight on weight concentration threshold at the finished product level. TE is aware of the European Court of Justice ruling of September 10th, 2015 also known as O5A (Once An Article Always An Article) stating that, in case of 'complex object', the threshold for a SVHC must be applied to both the product as a whole and simultaneously to each of the articles forming part of its composition. TE has evaluated this ruling based on the new ECHA "Guidance on requirements for substances in articles" (June 2017, version 4.0) and will be updating its statements accordingly.

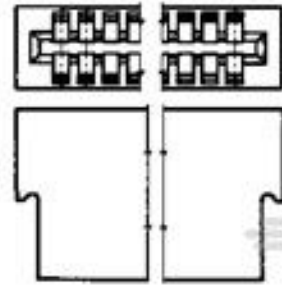
Compatible Parts



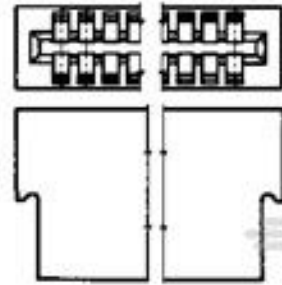
TE Part # 1-583717-1
TW-LEAF CRP HSG 25 POS 100 C/L



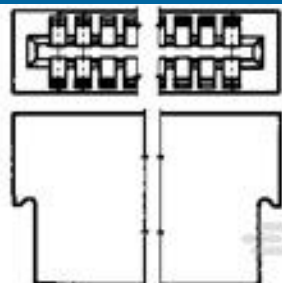
TE Part # 1-583717-3
TW LEAF CRP HSG. 30-POS.



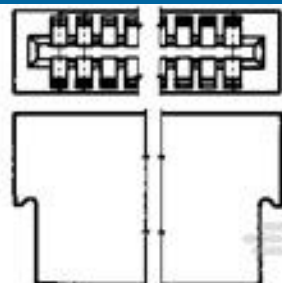
TE Part # 1-583717-9
TW-LEAF CRP HSG 50 POS 100 C/L



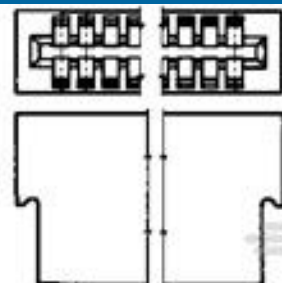
TE Part # 2-583717-7
TW LEAF CRP. HSG. 14 POS.



TE Part # 3-583717-1
TW-LEAF CRP HSG 20 POS 100 C/L



TE Part # 3-583717-3
TW-LF CRP HSG 13 POS 100C/L



TE Part # 583717-1
TW-LEAF CRP HSG 10 POS 100 C/L



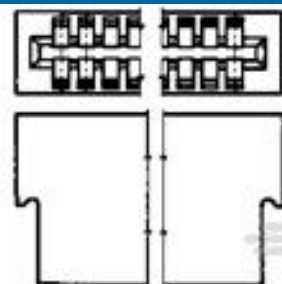
TE Part # 1-583717-5
TW-LEAF CRP HSG 40 POS 100 C/L



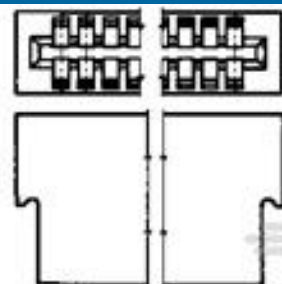
TE Part # 2-2837926-1
OCEAN-2.0-APPLICATOR-S-062F0900



TE Part # 2-2837926-2
OCEAN-2.0-APPLICATOR-S-062F0900



TE Part # 2-583717-1
TW LEAF CRP HSG. 6-POS.



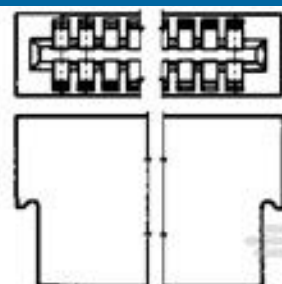
TE Part # 2-583717-3
TW LEAF CRP HSG. 7-POS.



TE Part # 2837926-1
OCEAN-2.0-APPLICATOR-S-062F0900



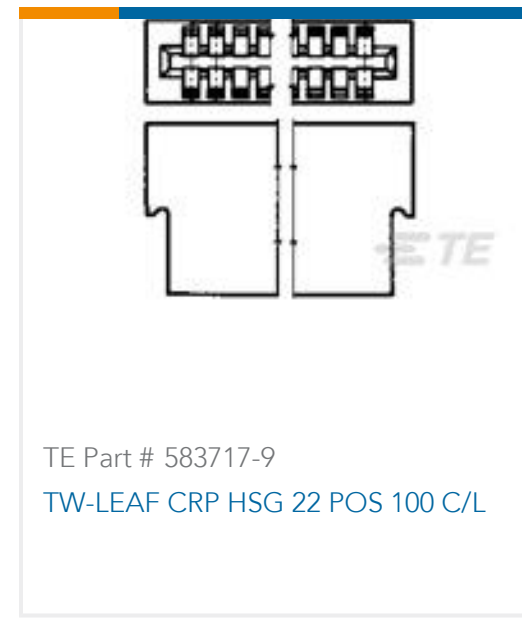
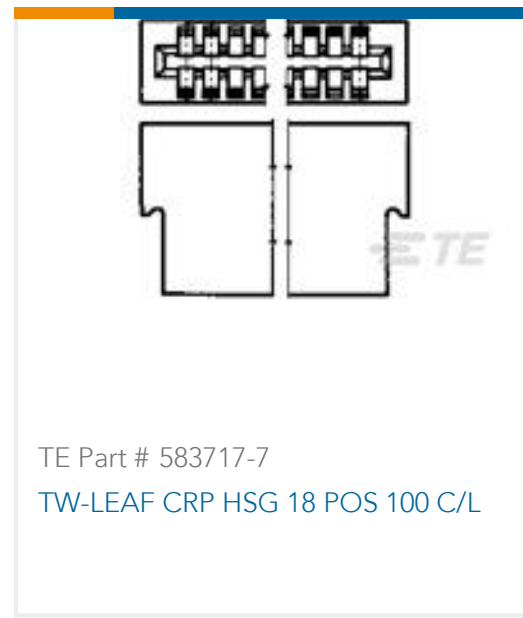
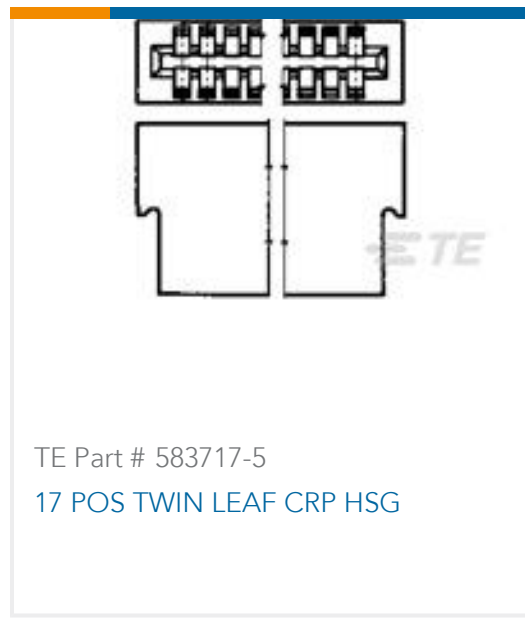
TE Part # 2837926-2
OCEAN-2.0-APPLICATOR-S-062F0900



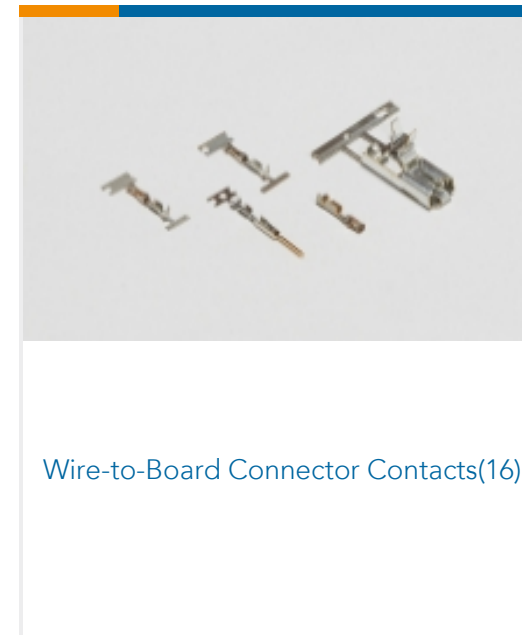
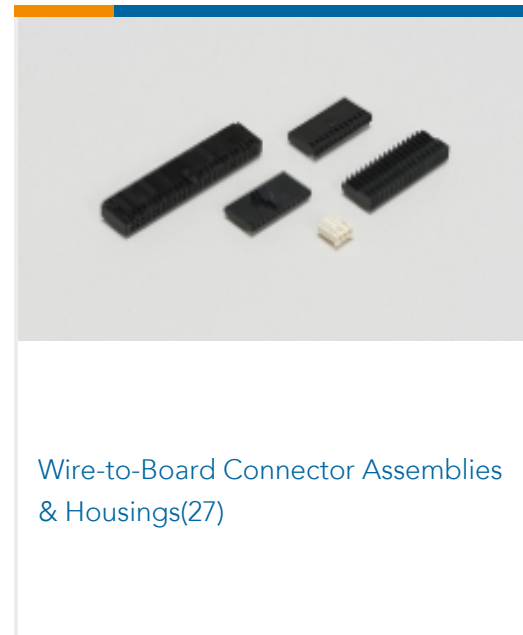
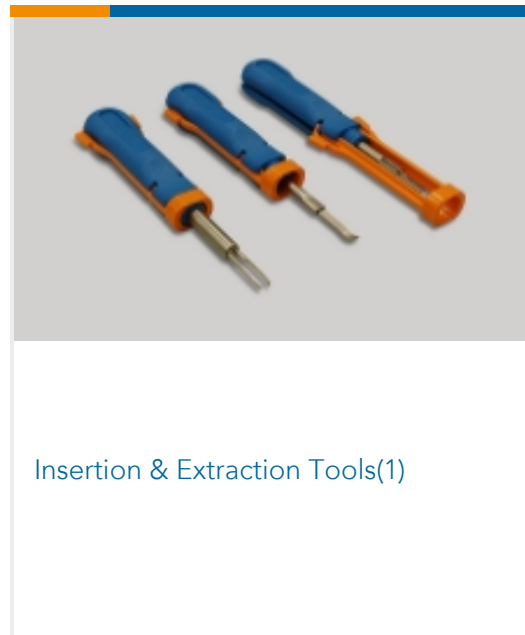
TE Part # 3-583717-9
HOUSING CSTL 100 C/L 8 POS



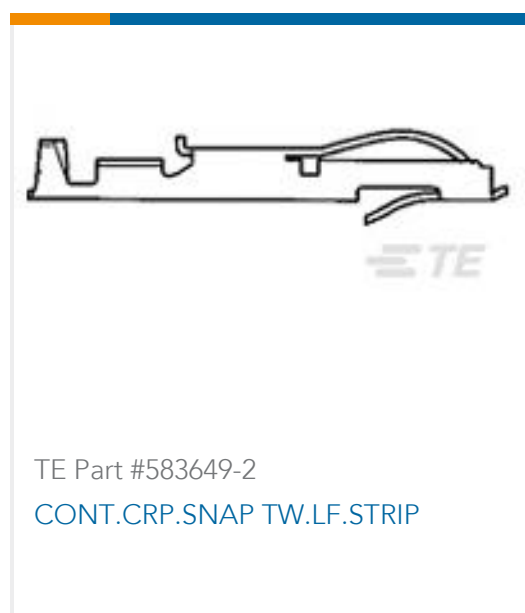
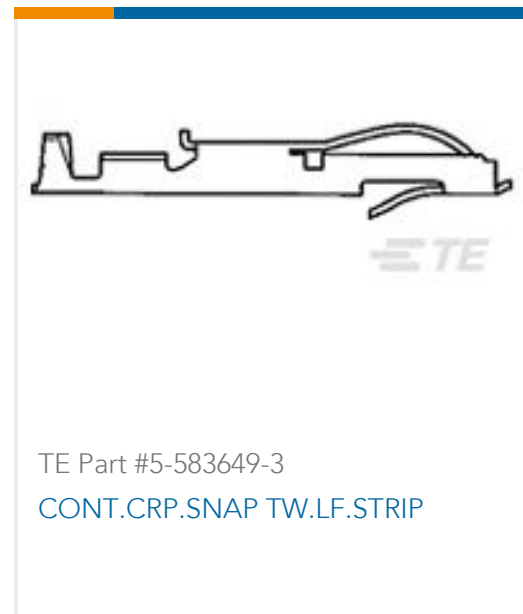
TE Part # 583717-3
TW LEAF CRP HSG. 15-POS.



Also in the Series | AMP Twin-Leaf



Customers Also Bought





Documents

Product Drawings

[CONT.CRP.SNAP TW.LF.STRIP](#)

English

CAD Files

[3D PDF](#)

3D

Customer View Model

[ENG_CVM_CVM_5-583649-2_BS_c-5-583649-2-bs.2d_dxf.zip](#)

English

Customer View Model

[ENG_CVM_CVM_5-583649-2_BS_c-5-583649-2-bs.3d_igs.zip](#)

English

Customer View Model

[ENG_CVM_CVM_5-583649-2_BS_c-5-583649-2-bs.3d_stp.zip](#)

English

By downloading the CAD file I accept and agree to the [Terms and Conditions](#) of use.

Product Specifications

[Application Specification](#)

English