

3-794616-0 ✓ ACTIVE

MATE-N-LOK | Micro MATE-N-LOK

TE Internal #: 3-794616-0

Micro MATE-N-LOK, Rectangular Power Connectors, Housing, Plug, Wire-to-Wire, 10 Position, 3mm [.118in] Centerline, Wire & Cable, UL 94V-0

[View on TE.com >](#)



Connectors > Power Connectors > Rectangular Power > Rectangular Power Connectors



Rectangular Power Connector Type: **Housing**

Connector & Housing Type: **Plug**

Connector System: **Wire-to-Wire**

Number of Positions: **10**

Centerline (Pitch): **3 mm [.118 in]**

Features

Product Type Features

Rectangular Power Connector Type	Housing
Connector & Housing Type	Plug
Connector System	Wire-to-Wire
Sealable	No
Connector & Contact Terminates To	Wire & Cable

Configuration Features

Number of Positions	10
Number of Rows	2

Electrical Characteristics

Operating Voltage	250 VDC
-------------------	---------

Contact Features

Contact Layout	Matrix
Contact Current Rating (Max)	5 A
Contact Retention Within Housing	Without



Contact Type	Pin
--------------	-----

Termination Features

Termination Method to Wire & Cable	Crimp
------------------------------------	-------

Mechanical Attachment

Panel Mount Feature	Without
---------------------	---------

Connector Mounting Type	Cable Mount (Free-Hanging)
-------------------------	----------------------------

Housing Features

Centerline (Pitch)	3 mm [.118 in]
--------------------	----------------

Housing Color	Natural
---------------	---------

Housing Material	Nylon 66
------------------	----------

Cable Exit Angle	Straight
------------------	----------

Dimensions

Wire Size	.051 – .517 mm ²
-----------	-----------------------------

Row-to-Row Spacing	3 mm [.118 in]
--------------------	----------------

Length	16.89 mm
--------	----------

Usage Conditions

Operating Temperature Range	-40 – 105 °C [-40 – 221 °F]
-----------------------------	-----------------------------

Operation/Application

Circuit Application	Power & Signal
---------------------	----------------

Identification Marking

Circuit Identification Feature	With
--------------------------------	------

Industry Standards

Glow Wire Material Rating	Material with GWF1 850°C
---------------------------	--------------------------

UL Flammability Rating	UL 94V-0
------------------------	----------

Glow Wire Rating	GWT 750°C (Without Flame)
------------------	---------------------------

Agency/Standard Number	E28476
------------------------	--------

VDE Tested	Yes
------------	-----

Agency/Standard	UL, VDE
-----------------	---------

Packaging Features

Packaging Method	Box
------------------	-----

Packaging Quantity	10000
--------------------	-------

Product Compliance

[For compliance documentation, visit the product page on TE.com>](#)

EU RoHS Directive 2011/65/EU	Compliant
EU ELV Directive 2000/53/EC	Not Yet Reviewed
China RoHS 2 Directive MIIT Order No 32, 2016	No Restricted Materials Above Threshold
EU REACH Regulation (EC) No. 1907/2006	Current ECHA Candidate List: JAN 2021 (211) Candidate List Declared Against: JAN 2021 (211) Does not contain REACH SVHC
Halogen Content	Not Low Halogen - contains Br or Cl > 900 ppm.
Solder Process Capability	Not reviewed for solder process capability

Product Compliance Disclaimer

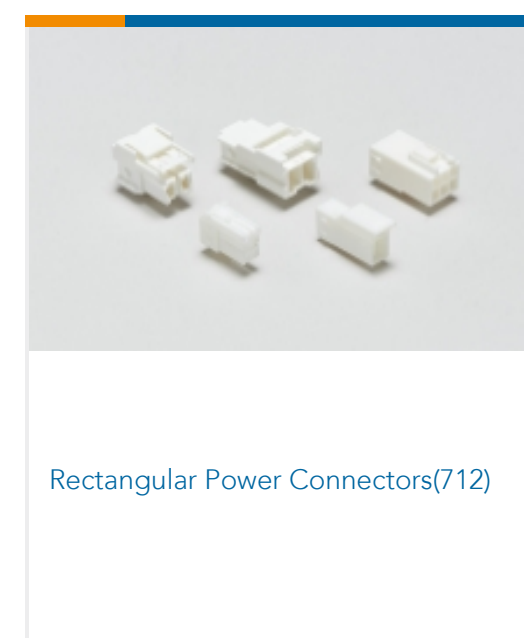
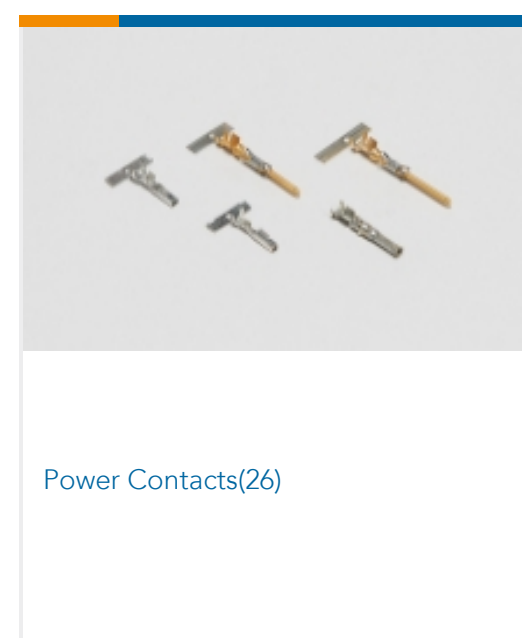
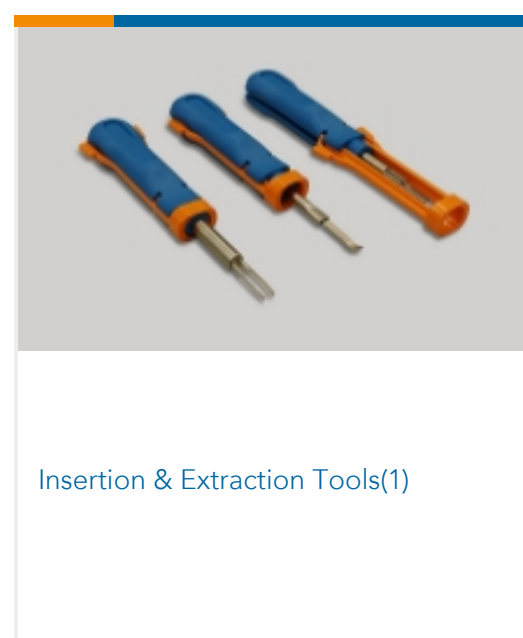
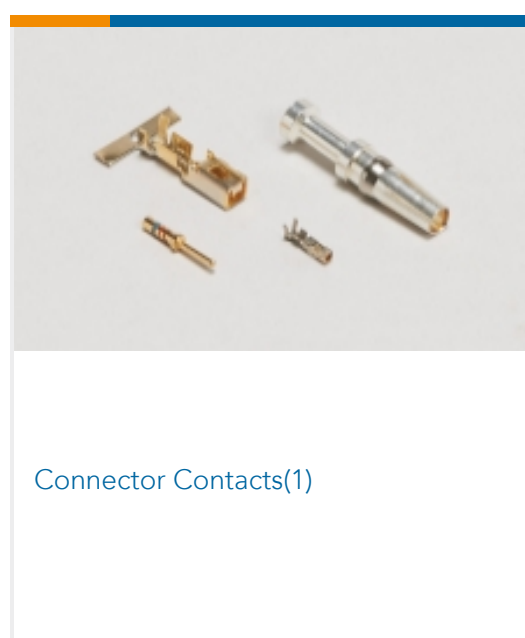
This information is provided based on reasonable inquiry of our suppliers and represents our current actual knowledge based on the information they provided. This information is subject to change. The part numbers that TE has identified as EU RoHS compliant have a maximum concentration of 0.1% by weight in homogenous materials for lead, hexavalent chromium, mercury, PBB, PBDE, DBP, BBP, DEHP, DIBP, and 0.01% for cadmium, or qualify for an exemption to these limits as defined in the Annexes of Directive 2011/65/EU (RoHS2). Finished electrical and electronic equipment products will be CE marked as required by Directive 2011/65/EU. Components may not be CE marked. Additionally, the part numbers that TE has identified as EU ELV compliant have a maximum concentration of 0.1% by weight in homogenous materials for lead, hexavalent chromium, and mercury, and 0.01% for cadmium, or qualify for an exemption to these limits as defined in the Annexes of Directive 2000/53/EC (ELV). Regarding the REACH Regulation, the information TE provides on SVHC in articles for this part number is based on the latest European Chemicals Agency (ECHA) 'Guidance on requirements for substances in articles' posted at this URL: <https://echa.europa.eu/guidance-documents/guidance-on-reach>

Compatible Parts

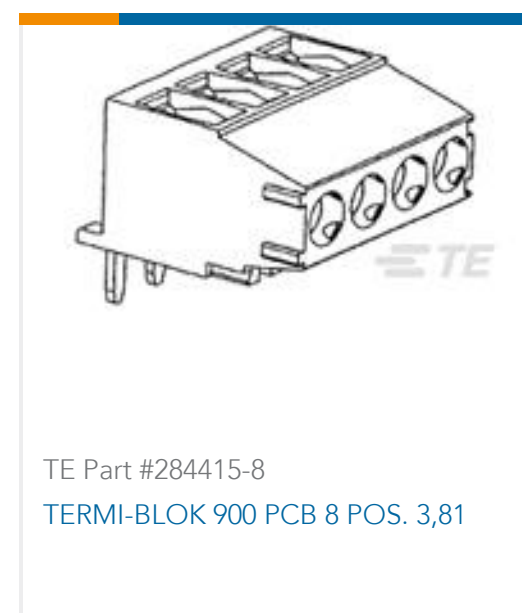
 <p>TE Part # 3-794615-0 10P MICRO MNL PLUG HSG PNL MT DBL RW V0</p>	 <p>TE Part # 2315744-2 2P, MICRO MNL, RCPT HSG, DUAL ROW, V0 GW</p>	 <p>TE Part # 2315744-4 4P, MICRO MNL, RCPT HSG, DUAL ROW, V0 GW</p>	 <p>TE Part # 2315758-2 2P MICRO MNL PLUG HSG PNL MT DBL RW V0 G</p>
---	---	---	---

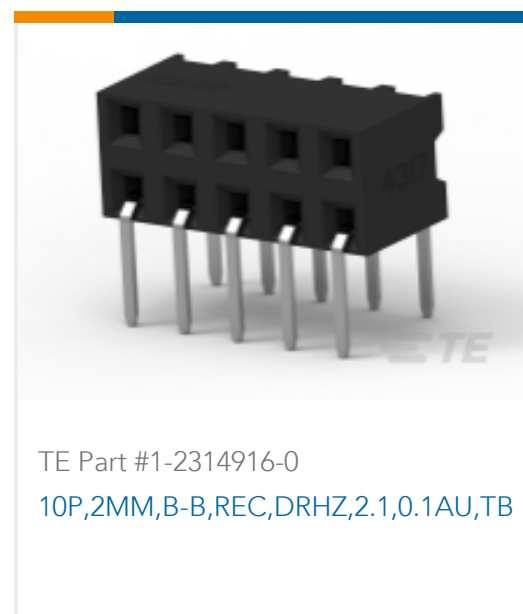


Also in the Series | Micro MATE-N-LOK



Customers Also Bought





Documents

Product Drawings

10P MICRO MNL PLUG HSG FREE HNG DBL RW

English

CAD Files

3D PDF

3D

Customer View Model

[ENG_CVM_CVM_3-794616-0_D.2d_dxf.zip](#)

English

Customer View Model

[ENG_CVM_CVM_3-794616-0_D.3d_igs.zip](#)

English

Customer View Model

[ENG_CVM_CVM_3-794616-0_D.3d_stp.zip](#)

English

By downloading the CAD file I accept and agree to the [Terms and Conditions](#) of use.

Product Specifications

Engineering Report

English

Product Environmental Compliance

[MD_3-794616-0_06222018025_dmtec](#)

English

[MD_3-794616-0_06222018025_dmtec](#)

English

3-794616-0

Micro MATE-N-LOK, Rectangular Power Connectors, Housing, Plug, Wire-to-Wire, 10
Position, 3mm [.118in] Centerline, Wire & Cable, UL 94V-0



[Agency Approvals](#)

[VDE Certificate](#)

English