

42663-2 ✓ ACTIVE

FASTIN-FASTON | FASTIN-FASTON 250

TE Internal #: 42663-2

FASTIN-FASTON 250, Quick Disconnects, Receptacle, 16 – 12AWG

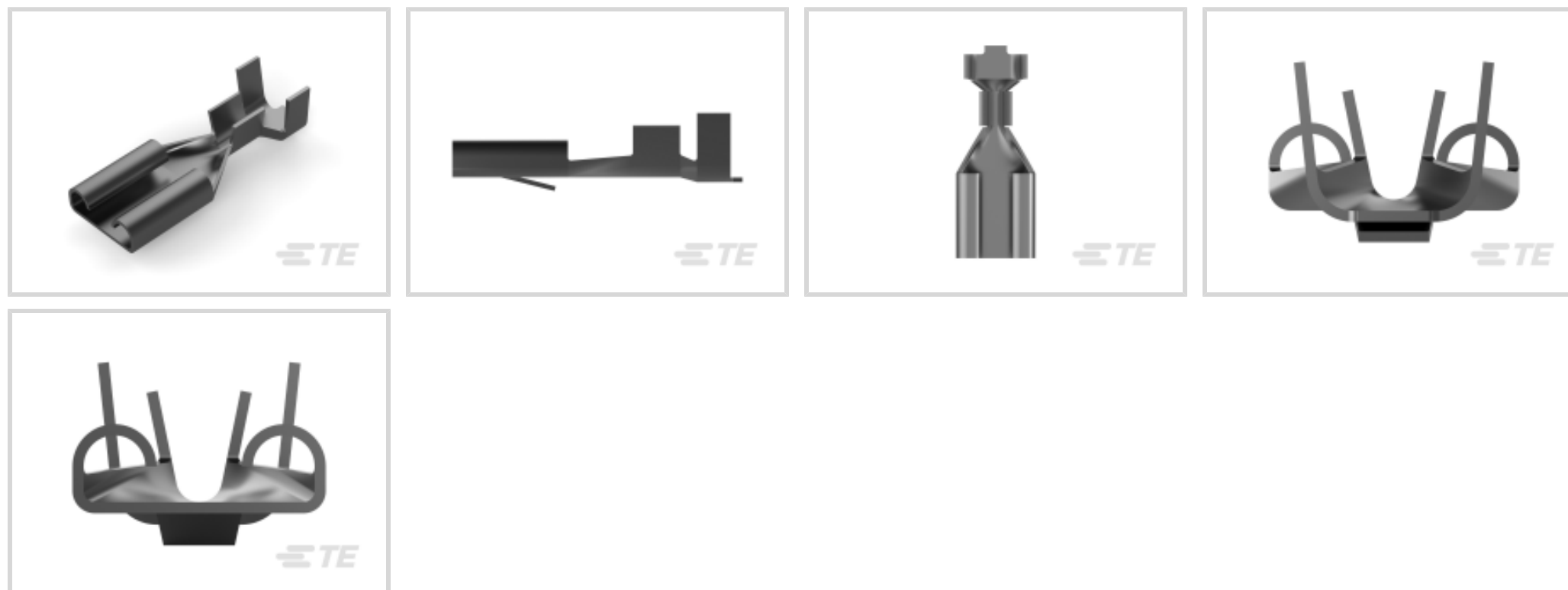
Wire Size, 1.31 – 3.31mm² Wire Size, Quick Disconnect Mating Tab

Width 7.92 mm [.312 in]

[View on TE.com >](#)



Terminals & Splices > Quick Disconnects



Terminal & Splice Type: **Receptacle**

Wire Size: **1.31 – 3.31 mm²**

Quick Disconnect Mating Tab Width: **7.92 mm [.312 in]**

Quick Disconnect Mating Tab Thickness: **.81 mm [.032 in]**

Features

Product Type Features

Wire/Cable Type	Regular Wire
Terminates To	Wire & Cable
Quick Disconnect Insertion Force	Normal
Sealable	No
Insulated	No

Configuration Features

Connection Capacity	Single
---------------------	--------

Body Features

Fully Insulated	No
Quick Disconnect Plating Material	Tin

Contact Features

Terminal Type	Receptacle
Terminal & Splice Type	Receptacle
Quick Disconnect Terminal Orientation	Straight



Contact Base Material	Brass
-----------------------	-------

Crimp Type	F-Crimp
------------	---------

Barrel Type	Open
-------------	------

Mechanical Attachment

Mating Retention Type	Locking Lance
-----------------------	---------------

Wire Insulation Support	With
-------------------------	------

Dimensions

Accepts Wire Insulation Diameter Range	3.3 – 4.57 mm [.13 – .18 in]
--	------------------------------

Overall Length	23.24 mm [.915 in]
----------------	--------------------

Receptacle Terminal Stock Thickness	.41 mm [.016 in]
-------------------------------------	------------------

Wire Size	1.31 – 3.31 mm ²
-----------	-----------------------------

Quick Disconnect Mating Tab Width	7.92 mm [.312 in]
-----------------------------------	-------------------

Quick Disconnect Mating Tab Thickness	.81 mm [.032 in]
---------------------------------------	------------------

Usage Conditions

Insulation Requirement	Uninsulated
------------------------	-------------

Operating Temperature Range	-40 – 110 °C [-40 – 230 °F]
-----------------------------	-----------------------------

Packaging Features

Packaging Quantity	6000
--------------------	------

Quick Disconnect Packaging Method	Strip/Reel
-----------------------------------	------------

Product Compliance

[For compliance documentation, visit the product page on TE.com>](#)

EU RoHS Directive 2011/65/EU	Compliant
------------------------------	-----------

EU ELV Directive 2000/53/EC	Compliant
-----------------------------	-----------

China RoHS 2 Directive MIIT Order No 32, 2016	No Restricted Materials Above Threshold
---	---

EU REACH Regulation (EC) No. 1907/2006	Current ECHA Candidate List: JAN 2021 (211) Candidate List Declared Against: JAN 2021 (211) Does not contain REACH SVHC
--	---

Halogen Content	Low Halogen - Br, Cl, F, I < 900 ppm per homogenous material. Also BFR/CFR/PVC Free
-----------------	---

Solder Process Capability	Not applicable for solder process capability
---------------------------	--

Product Compliance Disclaimer

This information is provided based on reasonable inquiry of our suppliers and represents our current actual knowledge based on the information they provided. This information is subject to change. The part numbers that TE has identified as EU RoHS compliant have a maximum concentration of 0.1% by weight in homogenous materials for lead, hexavalent chromium, mercury, PBB, PBDE, DBP, BBP, DEHP, DIBP, and 0.01% for cadmium, or qualify for an exemption to these limits as defined in the Annexes of Directive 2011/65/EU (RoHS2). Finished electrical and electronic equipment products will be CE marked as required by Directive 2011/65/EU. Components may not be CE marked. Additionally, the part numbers that TE has identified as EU ELV compliant have a maximum concentration of 0.1% by weight in homogenous materials for lead, hexavalent chromium, and mercury, and 0.01% for cadmium, or qualify for an exemption to these limits as defined in the Annexes of Directive 2000/53/EC (ELV). Regarding the REACH Regulation, the information TE provides on SVHC in articles for this part number is based on the latest European Chemicals Agency (ECHA) 'Guidance on requirements for substances in articles' posted at this URL: <https://echa.europa.eu/guidance-documents/guidance-on-reach>

Compatible Parts



TE Part # 42904-2
FF 250 REC TERMINAL 16-12 AWG
TPBR



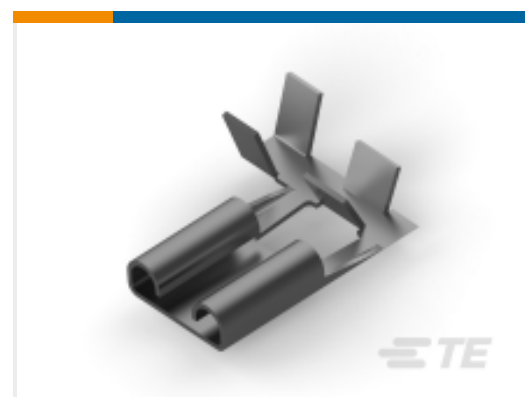
TE Part # 180373-2
FF 312 REC 1-2.5MM2 TPBR



TE Part # 60249-2
FF 250 REC 16-12AWG TPBR



TE Part # 62891-1
FF 250 REC 16-12AWG TPBR



TE Part # 1-180453-2
FF 312 REC 1-2.5MM2



TE Part # 160557-2
FF 312 REC TERMINAL 20-15 AWG
TPBR



TE Part # 160557-4
FF 312 REC 0.5-1.5MM2 TPPB



TE Part # 160920-4
FF 312 REC 2.5-4MM2 TPPB

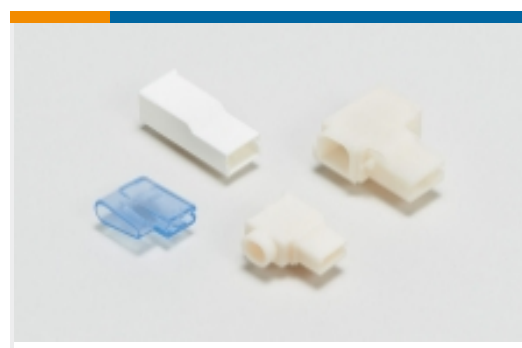


TE Part # 170191-3
FF 312 REC 18-14AWG TPBR
REREELING

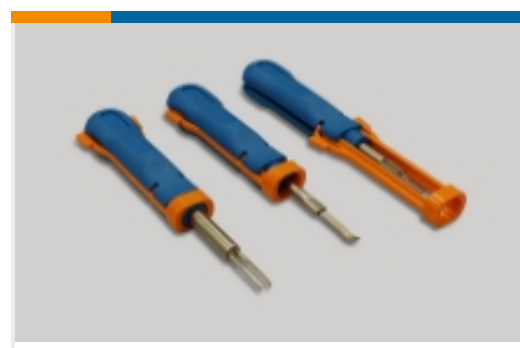


TE Part # 63813-1
FF 312 REC 16-12AWG TPBR

Also in the Series | **FASTIN-FASTON 250**



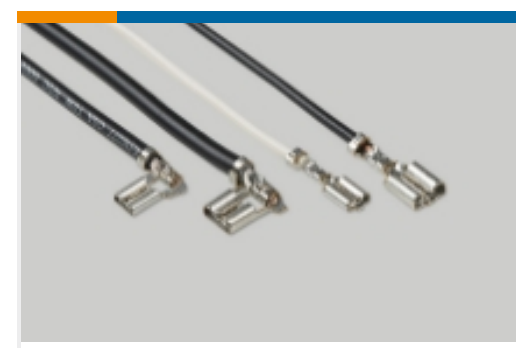
Crimp Terminal Housings(216)



Insertion & Extraction Tools(2)

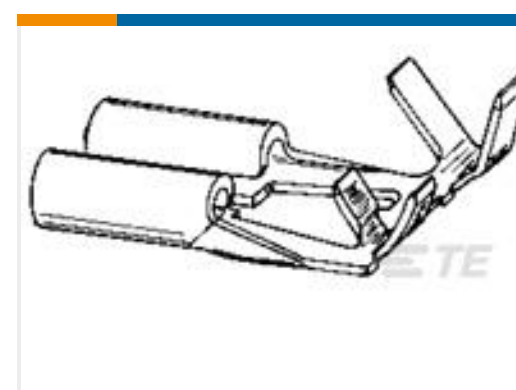
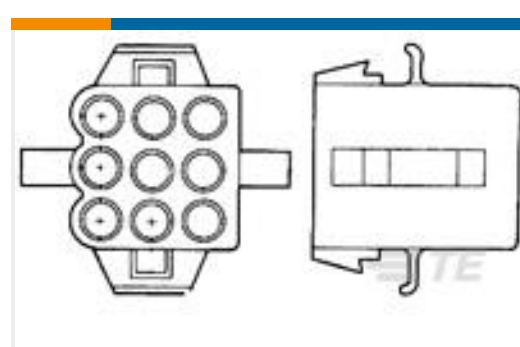


PCB Terminals(2)



Quick Disconnects(258)

Customers Also Bought

TE Part #160786-2
FF 250 TAB 0.5-1.5MM2 TPPBTE Part #1217345-1
110 FASTON,REC.,16-18 AWG,BRTE Part #130599P011
ES2000-NO.4-B7-0-50MMTE Part #1241388-3
AMP MCP, RECEPTACLE AND TABTE Part #1394816-1
CIRCULAR DIN BACKSHELLSTE Part #929990-7
ROUND CONNECTOR SYSTEM, PIN AND SOCKETTE Part #1623734-5
Wirewound Resistor: Vertical MountTE Part #160862-8
FF FAH STECKH 8,0TE Part #1394872-1
SEALING PLUG 1,5MMTE Part #1-480672-9
09P .140 MNL PLUG PM BLK

Documents

Product Drawings

[FF 312 REC 16-12AWG TPBR](#)

English

CAD Files

[3D PDF](#)

3D

[Customer View Model](#)

[ENG_CVM_CVM_42663-2_AD_c-42663-2-ad.2d_dxf.zip](#)



English

Customer View Model

[ENG_CVM_CVM_42663-2_AD_c-42663-2-ad.3d_igs.zip](#)

English

Customer View Model

[ENG_CVM_CVM_42663-2_AD_c-42663-2-ad.3d_stp.zip](#)

English

By downloading the CAD file I accept and agree to the [Terms and Conditions](#) of use.

Product Specifications

[Application Specification](#)

English

[FASTIN-FASTON 110, 187, 205 And 312 Series Receptacle Contacts](#)

English

Agency Approvals

[UL](#)

English