

42713-2 ✓ ACTIVE

FASTON | FASTON 205

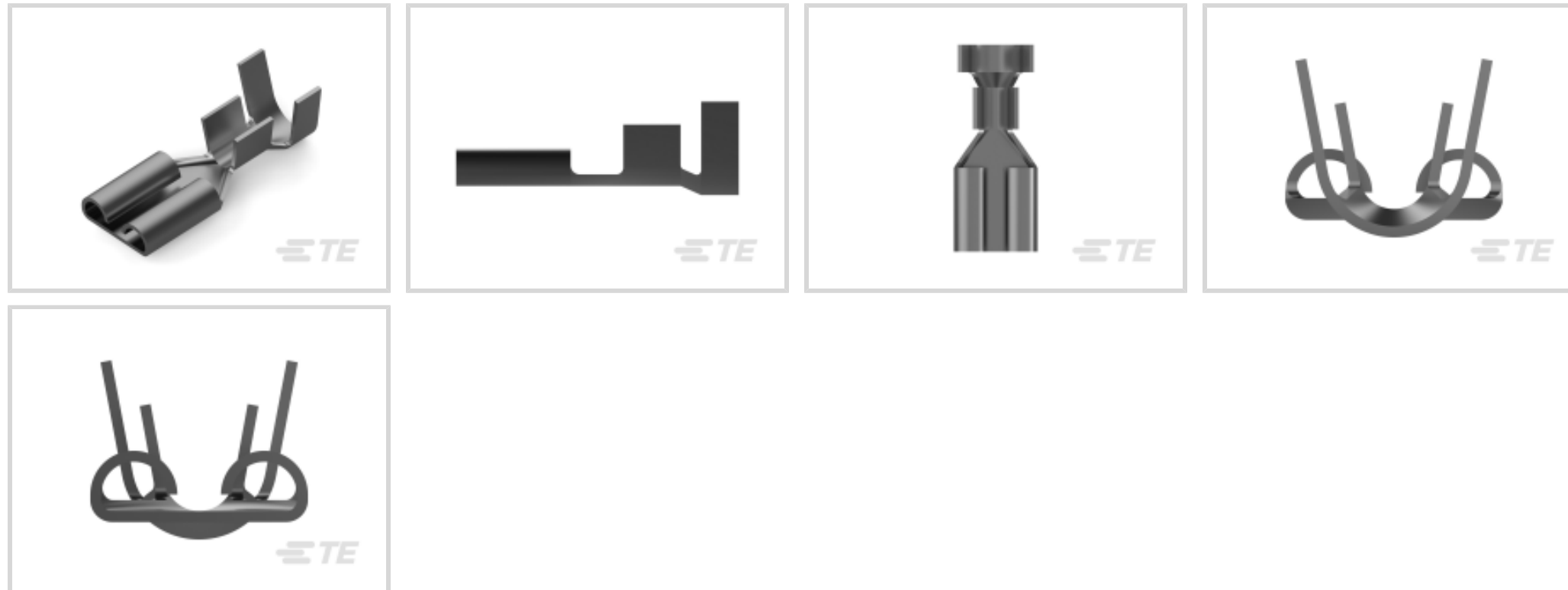
TE Internal #: 42713-2

FASTON 205, Quick Disconnects, Receptacle, 18 – 14AWG Wire Size, .82 – 2.08mm<sup>2</sup> Wire Size, Quick Disconnect Mating Tab Width 5.21 mm [.205 in]

[View on TE.com >](#)



Terminals & Splices > Quick Disconnects



Terminal & Splice Type: **Receptacle**

Wire Size: **.82 – 2.08 mm<sup>2</sup>**

Quick Disconnect Mating Tab Width: **5.21 mm [.205 in]**

Quick Disconnect Mating Tab Thickness: **.51 mm [.02 in]**

## Features

### Product Type Features

Wire Stop	No
Wire/Cable Type	Regular Wire
Terminates To	Wire & Cable
Quick Disconnect Insertion Force	Normal
Sealable	No
Insulated	No

### Configuration Features

Connection Capacity	Single
---------------------	--------

### Body Features

Fully Insulated	No
Quick Disconnect Plating Material	Tin

### Contact Features

Terminal Type	Receptacle
Terminal & Splice Type	Receptacle

Quick Disconnect Terminal Orientation	Straight
Contact Base Material	Brass
Crimp Type	F-Crimp
Barrel Type	Open

### Mechanical Attachment

Mating Retention Type	Dimple
Wire Insulation Support	With

### Dimensions

Accepts Wire Insulation Diameter Range	3.3 – 4.57 mm [.13 – .179 in]
Overall Length	15.62 mm [.615 in]
Receptacle Terminal Stock Thickness	.3 mm [.012 in]
Wire Size	.82 – 2.08 mm <sup>2</sup>
Quick Disconnect Mating Tab Width	5.21 mm [.205 in]
Quick Disconnect Mating Tab Thickness	.51 mm [.02 in]

### Usage Conditions

Insulation Requirement	Uninsulated
Operating Temperature Range	-40 – 110 °C [-40 – 230 °F]

### Industry Standards

UL Rating	Listed
CSA Certified	Yes

### Packaging Features

Packaging Quantity	16000
Quick Disconnect Packaging Method	Strip/Reel

### Product Compliance

[For compliance documentation, visit the product page on TE.com>](#)

EU RoHS Directive 2011/65/EU	Compliant
EU ELV Directive 2000/53/EC	Compliant
China RoHS 2 Directive MIIT Order No 32, 2016	No Restricted Materials Above Threshold
EU REACH Regulation (EC) No. 1907/2006	Current ECHA Candidate List: JAN 2021 (211) Candidate List Declared Against: JAN 2021 (211) Does not contain REACH SVHC

Halogen Content

Low Halogen - Br, Cl, F, I < 900 ppm per homogenous material. Also BFR/CFR/PVC Free

Solder Process Capability

Not applicable for solder process capability

Product Compliance Disclaimer

This information is provided based on reasonable inquiry of our suppliers and represents our current actual knowledge based on the information they provided. This information is subject to change. The part numbers that TE has identified as EU RoHS compliant have a maximum concentration of 0.1% by weight in homogenous materials for lead, hexavalent chromium, mercury, PBB, PBDE, DBP, BBP, DEHP, DIBP, and 0.01% for cadmium, or qualify for an exemption to these limits as defined in the Annexes of Directive 2011/65/EU (RoHS2). Finished electrical and electronic equipment products will be CE marked as required by Directive 2011/65/EU. Components may not be CE marked. Additionally, the part numbers that TE has identified as EU ELV compliant have a maximum concentration of 0.1% by weight in homogenous materials for lead, hexavalent chromium, and mercury, and 0.01% for cadmium, or qualify for an exemption to these limits as defined in the Annexes of Directive 2000/53/EC (ELV). Regarding the REACH Regulation, the information TE provides on SVHC in articles for this part number is based on the latest European Chemicals Agency (ECHA) 'Guidance on requirements for substances in articles' posted at this URL: <https://echa.europa.eu/guidance-documents/guidance-on-reach>

## Compatible Parts



TE Part # 2-2150842-1  
OCEAN-2.0-APPLICATOR-E-100F180F



TE Part # 2-2150842-2  
OCEAN-2.0-APPLICATOR-E-100F180FA



TE Part # 2150842-1  
OCEAN-2.0-APPLICATOR-E-100F180F



TE Part # 2150842-2  
OCEAN-2.0-APPLICATOR-E-100F180FA



TE Part # 7-2150842-1  
OCEAN-2.0-APPLICATOR-E-100F180F




TE Part # 7-2150842-2  
OCEAN-2.0-APPLICATOR-E-100F180FA




TE Part # 7-2150842-7  
OCEAN\_2.0\_SPARE\_PART\_KIT-100F180F


## Also in the Series | FASTON 205



Crimp Terminal Housings(3)

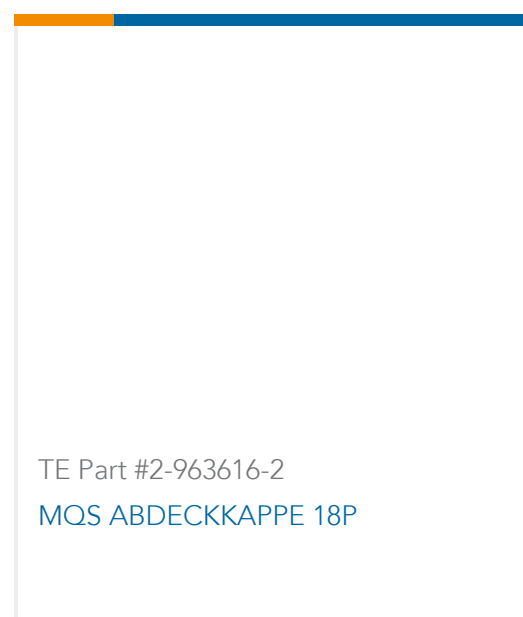
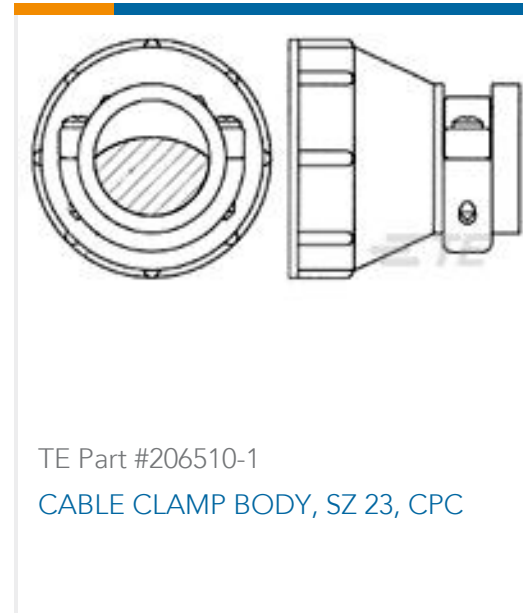


PCB Terminals(11)



Quick Disconnects(39)

## Customers Also Bought



## Documents

### Product Drawings

[FASTON 205 \( 5.2 MM\) 18-14 AWG TPBR](#)

English

### CAD Files

[3D PDF](#)

3D

Customer View Model

[ENG\\_CVM\\_CVM\\_42713-2\\_AL.2d\\_dxf.zip](#)

English

Customer View Model

[ENG\\_CVM\\_CVM\\_42713-2\\_AL.3d\\_igs.zip](#)

English

Customer View Model

[ENG\\_CVM\\_CVM\\_42713-2\\_AL.3d\\_stp.zip](#)

English

By downloading the CAD file I accept and agree to the [Terms and Conditions](#) of use.



### Datasheets & Catalog Pages

[82004 FASTON Terminals \(Insulated and Uninsulated\) Catalog - FASTON Receptacles Section](#)

English

---

### Product Specifications

[Application Specification](#)

English

---

### Product Environmental Compliance

[Product Compliance](#)

English

[Product Compliance](#)

English

---

### Agency Approvals

[UL Report](#)

English