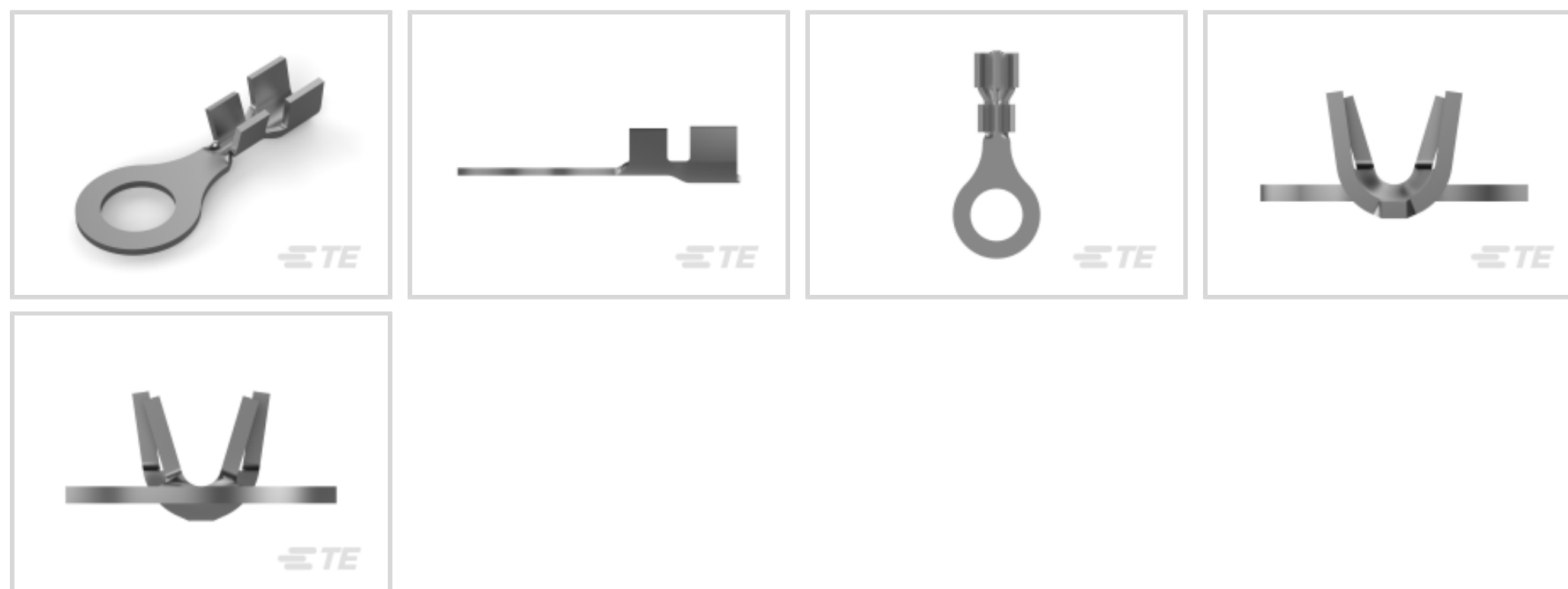




Terminals & Splices > Ring Terminals & Spade Terminals



Terminal & Splice Type: **Ring Tongue**

Wire Size: **2582 – 4106 CMA**

Ring & Spade Stud Size: **1/4**

Features

Product Type Features

Shape Description	Circular/Oval
Ring & Spade Stud Size	1/4
Ring & Spade Barrel Type	Open Barrel
Sealable	No
Insulated	No
Ring & Spade Wire/Cable Type	Regular Wire
Support Style	Insulation Support

Configuration Features

Number of Holes	1
Terminal Angle	Straight

Body Features

Weight per Piece	1.242 g
Ring & Spade Plating Material	Tin

Contact Features

Contact Base Material	Brass
Terminal & Splice Type	Ring Tongue



Ring & Spade Terminal Orientation	Straight
-----------------------------------	----------

Underplating Material	None
-----------------------	------

Mechanical Attachment

Wire Insulation Support	With
-------------------------	------

Dimensions

	.12 in
--	--------

Wire Size	2582 – 4106 CMA
-----------	-----------------

Stud Diameter	7.14 mm[.281 in]
---------------	------------------

Tongue Thickness	.76 mm[.03 in]
------------------	----------------

Ring & Spade Overall Length	26.42 mm[1.04 in]
-----------------------------	-------------------

Barrel Inside Diameter	1.77 mm, 3.68 mm[.07 in][.145 in]
------------------------	-----------------------------------

Ring & Spade Wire Insulation Diameter (Max)	4.57 mm[.18 in]
---	-----------------

Ring & Spade Wire Insulation Diameter	3.05 – 4.57 mm[.12 – .18 in]
---------------------------------------	------------------------------

Usage Conditions

Insulation Requirement	Uninsulated
------------------------	-------------

Operating Temperature Range	110 °C[230 °F]
-----------------------------	----------------

Operation/Application

Heavy Duty	No
------------	----

Industry Standards

Government Qualified	No
----------------------	----

Packaging Features

Packaging Quantity	4000
--------------------	------

Ring & Spade Packaging Method	Strip/Reel
-------------------------------	------------

Product Compliance

[For compliance documentation, visit the product page on TE.com>](#)

EU RoHS Directive 2011/65/EU	Compliant
------------------------------	-----------

EU ELV Directive 2000/53/EC	Compliant
-----------------------------	-----------

China RoHS 2 Directive MIIT Order No 32, 2016	No Restricted Materials Above Threshold
---	---

EU REACH Regulation (EC) No. 1907/2006	Current ECHA Candidate List: JAN 2021 (211) Candidate List Declared Against: JAN 2021 (211)
--	--



Does not contain REACH SVHC

Halogen Content

Low Halogen - Br, Cl, F, I < 900 ppm per homogenous material. Also BFR/CFR/PVC Free

Solder Process Capability

Not applicable for solder process capability

Product Compliance Disclaimer

This information is provided based on reasonable inquiry of our suppliers and represents our current actual knowledge based on the information they provided. This information is subject to change. The part numbers that TE has identified as EU RoHS compliant have a maximum concentration of 0.1% by weight in homogenous materials for lead, hexavalent chromium, mercury, PBB, PBDE, DBP, BBP, DEHP, DIBP, and 0.01% for cadmium, or qualify for an exemption to these limits as defined in the Annexes of Directive 2011/65/EU (RoHS2). Finished electrical and electronic equipment products will be CE marked as required by Directive 2011/65/EU. Components may not be CE marked. Additionally, the part numbers that TE has identified as EU ELV compliant have a maximum concentration of 0.1% by weight in homogenous materials for lead, hexavalent chromium, and mercury, and 0.01% for cadmium, or qualify for an exemption to these limits as defined in the Annexes of Directive 2000/53/EC (ELV). Regarding the REACH Regulation, the information TE provides on SVHC in articles for this part number is based on the latest European Chemicals Agency (ECHA) 'Guidance on requirements for substances in articles' posted at this URL: <https://echa.europa.eu/guidance-documents/guidance-on-reach>

Compatible Parts



TE Part # 640007-1
RING TERMINAL 16-14 AWG BTPBR



TE Part # 2-2150444-2
OCEAN_2.0_Applicator-E-155F210F



TE Part # 2150444-2
OCEAN_2.0_Applicator-E-155F210F



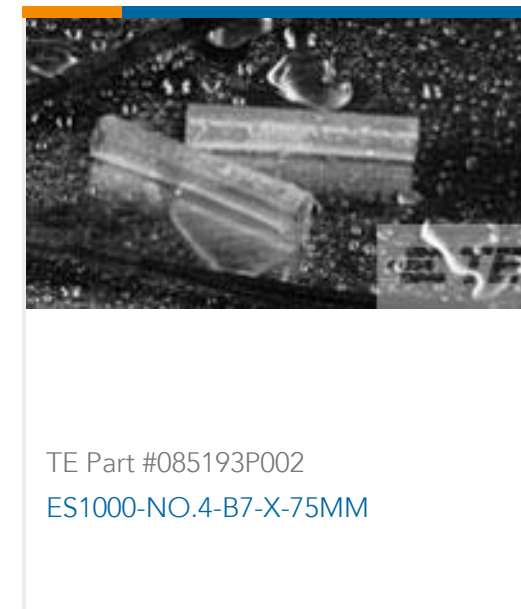
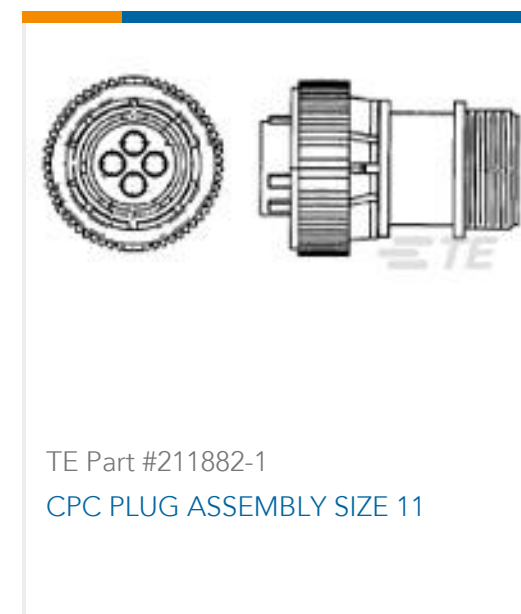
TE Part # 7-2150444-2
OCEAN_2.0_Applicator-E-155F210F



KIT
REPRESENTATION ONLY

TE Part # 7-2150444-7
OCEAN_2.0_SPARE_PART_KIT-155F210F

Customers Also Bought



Documents

Product Drawings

RING 16-14 AWG TPBR

English

CAD Files

3D PDF

3D

Customer View Model

[ENG_CVM_CVM_42938-2_AC_c-42938-2-ac.2d_dxf.zip](#)

English

Customer View Model

[ENG_CVM_CVM_42938-2_AC_c-42938-2-ac.3d_igs.zip](#)

English

Customer View Model

[ENG_CVM_CVM_42938-2_AC_c-42938-2-ac.3d_stp.zip](#)

English

By downloading the CAD file I accept and agree to the [Terms and Conditions](#) of use.

Product Specifications



Engineering Report

English

Agency Approvals

UL Report

English