

5-160447-4 ✓ ACTIVE

FASTIN-FASTON | FASTIN-FASTON 250

TE Internal #: 5-160447-4

FASTIN-FASTON 250, Quick Disconnects, Receptacle, 17 – 13AWG

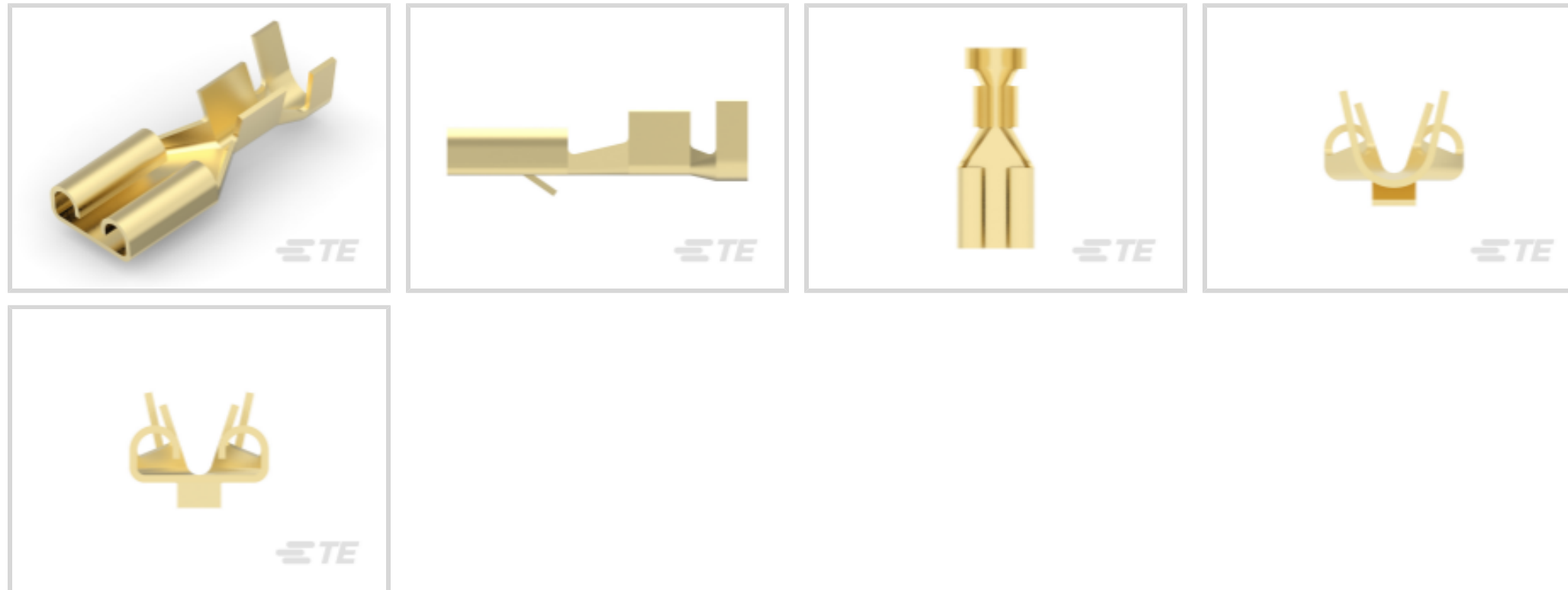
Wire Size, 1.03 – 2.62mm² Wire Size, Quick Disconnect Mating Tab

Width 6.35 mm [.25 in]

[View on TE.com >](#)



Terminals & Splices > Quick Disconnects



Terminal & Splice Type: **Receptacle**

Wire Size: **1.03 – 2.62 mm²**

Quick Disconnect Mating Tab Width: **6.35 mm [.25 in]**

Quick Disconnect Mating Tab Thickness: **.81 mm [.032 in]**

Features

Product Type Features

Wire Stop	No
Wire/Cable Type	Regular Wire
Terminates To	Wire & Cable
Quick Disconnect Insertion Force	Normal
Sealable	No
Insulated	No

Configuration Features

Connection Capacity	Single
---------------------	--------

Electrical Characteristics

Voltage (Max)	250 V
---------------	-------

Body Features

Fully Insulated	No
Quick Disconnect Plating Material	Unplated

Contact Features



Terminal Type	Receptacle
Terminal & Splice Type	Receptacle
Quick Disconnect Terminal Orientation	Straight
Contact Base Material	Brass
Crimp Type	F-Crimp
Barrel Type	Open

Mechanical Attachment

Mating Retention Type	Locking Lance
Wire Insulation Support	With

Dimensions

Accepts Wire Insulation Diameter Range	3 – 3.5 mm[.118 – .138 in]
Overall Length	20.3 mm[.799 in]
Receptacle Terminal Stock Thickness	.41 mm[.016 in]
Wire Size	1.03 – 2.62 mm ²
Quick Disconnect Mating Tab Width	6.35 mm[.25 in]
Quick Disconnect Mating Tab Thickness	.81 mm[.032 in]

Usage Conditions

Insulation Requirement	Uninsulated
Operating Temperature Range	-40 – 110 °C[-40 – 230 °F]

Industry Standards

UL Flammability Rating	UL 94V-2
------------------------	----------

Packaging Features

Packaging Quantity	500
Quick Disconnect Packaging Method	Loose Piece/Carton

Other

Comment	With dimple
---------	-------------

Product Compliance

For compliance documentation, visit the product page on [TE.com](https://www.te.com)>

EU RoHS Directive 2011/65/EU	Compliant
EU ELV Directive 2000/53/EC	Compliant
China RoHS 2 Directive MIIT Order No 32, 2016	No Restricted Materials Above Threshold



EU REACH Regulation (EC) No. 1907/2006

Current ECHA Candidate List: JAN 2021 (211)

Candidate List Declared Against: JAN 2021 (211)

Does not contain REACH SVHC

Halogen Content

Low Halogen - Br, Cl, F, I < 900 ppm per homogenous material. Also BFR/CFR/PVC Free

Solder Process Capability

Not applicable for solder process capability

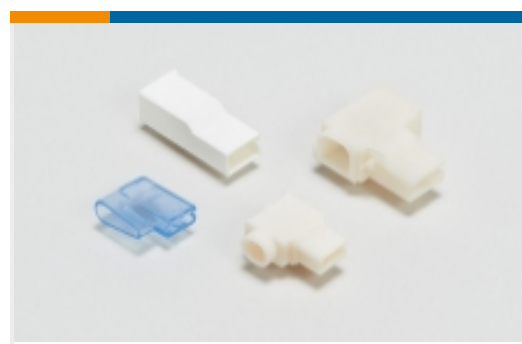
Product Compliance Disclaimer

This information is provided based on reasonable inquiry of our suppliers and represents our current actual knowledge based on the information they provided. This information is subject to change. The part numbers that TE has identified as EU RoHS compliant have a maximum concentration of 0.1% by weight in homogenous materials for lead, hexavalent chromium, mercury, PBB, PBDE, DBP, BBP, DEHP, DIBP, and 0.01% for cadmium, or qualify for an exemption to these limits as defined in the Annexes of Directive 2011/65/EU (RoHS2). Finished electrical and electronic equipment products will be CE marked as required by Directive 2011/65/EU. Components may not be CE marked. Additionally, the part numbers that TE has identified as EU ELV compliant have a maximum concentration of 0.1% by weight in homogenous materials for lead, hexavalent chromium, and mercury, and 0.01% for cadmium, or qualify for an exemption to these limits as defined in the Annexes of Directive 2000/53/EC (ELV). Regarding the REACH Regulation, the information TE provides on SVHC in articles for this part number is based on the latest European Chemicals Agency (ECHA) 'Guidance on requirements for substances in articles' posted at this URL: <https://echa.europa.eu/guidance-documents/guidance-on-reach>

Compatible Parts



Also in the Series | **FASTIN-FASTON 250**



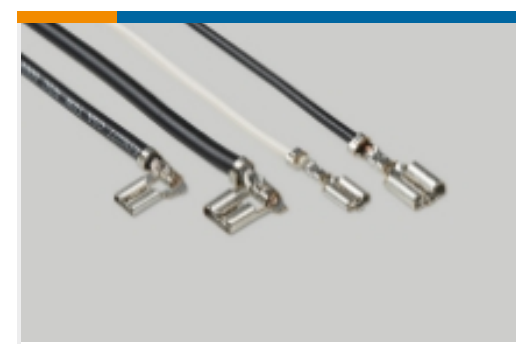
Crimp Terminal Housings(216)



Insertion & Extraction Tools(2)

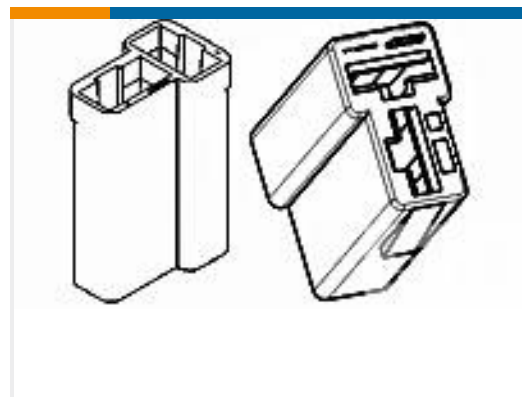
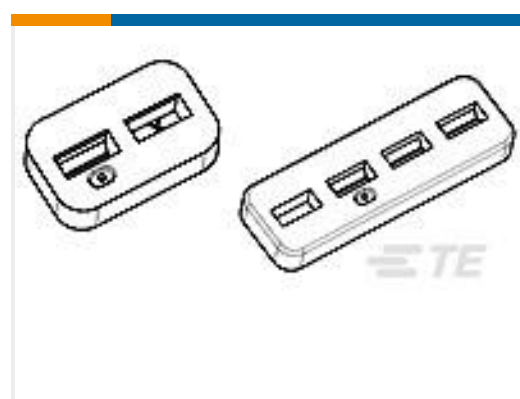
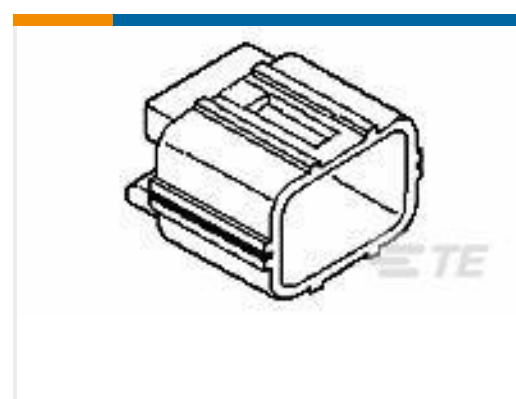


PCB Terminals(2)



Quick Disconnects(258)

Customers Also Bought

TE Part #180907
FF 250 REC HSG 2P NYLON NATTE Part #2-963210-1
TIMER, CONNECTOR HOUSINGTE Part #1-962915-1
TIMER, RECEPTACLE AND TABTE Part #171661-1
Econoseal Receptacles and TabsTE Part #58583-1
PROCRIMP HT&D SUPRSEAL 1.5 SERTE Part #963209-1
DICHTUNG F2P JPT-GHTE Part #174355-7
070 ECONOSEAL MARK-2 P/CAP 2PTE Part #828905-1
SINGLE-WIRE-SEAL(5MM HOLE)

Documents

Product Drawings

FF 250 REC 1.0-2.5MM2 BR LP

English

CAD Files

3D PDF

3D

Customer View Model

[ENG_CVM_CVM_5-160447-4_R.2d_dxf.zip](#)

English

Customer View Model

[ENG_CVM_CVM_5-160447-4_R.3d_igs.zip](#)

English

Customer View Model

[ENG_CVM_CVM_5-160447-4_R.3d_stp.zip](#)

English

By downloading the CAD file I accept and agree to the [Terms and Conditions](#) of use.



Datasheets & Catalog Pages

[1654742_HOUSEHOLD_APPLIANCES_RAST5](#)

English