

521567-2 ✓ ACTIVE

Ultra-Pod | Ultra-Pod 250

TE Internal #: 521567-2

Ultra-Pod 250, Quick Disconnects, Receptacle, 18 – 14AWG Wire Size, .82 – 2.08mm² Wire Size, Quick Disconnect Mating Tab Width 6.35 mm [.25 in]

[View on TE.com >](#)



Terminals & Splices > Quick Disconnects > ULTRA POD: Straight, Receptacle Assembly, Tin Plated, 0.25 inch



Terminal & Splice Type: **Receptacle**

Wire Size: **.82 – 2.08 mm²**

Quick Disconnect Mating Tab Width: **6.35 mm [.25 in]**

Quick Disconnect Mating Tab Thickness: **.81 mm [.032 in]**

All ULTRA POD: Straight, Receptacle Assembly, Tin Plated, 0.25 inch (15)

Features

Product Type Features

Wire/Cable Type	Regular Wire
Terminates To	Wire & Cable
Quick Disconnect Insertion Force	Low
Sealable	No
Insulated	No

Configuration Features

Connection Capacity	Single
---------------------	--------

Electrical Characteristics

Voltage (Max)	600 V
---------------	-------

Body Features

Insulation Material	Nylon
Fully Insulated	No
Quick Disconnect Plating Material	Tin



Contact Features

Terminal Type	Receptacle
Terminal & Splice Type	Receptacle
Quick Disconnect Terminal Orientation	Straight
Contact Base Material	Brass
Crimp Type	F-Crimp
Barrel Type	Open

Mechanical Attachment

Wire Insulation Support	With
-------------------------	------

Dimensions

Accepts Wire Insulation Diameter Range	2.79 – 4.32 mm [.11 – .17 in]
Overall Length	34.7 mm [1.366 in]
Receptacle Terminal Stock Thickness	.41 mm [.016 in]
Wire Size	.82 – 2.08 mm ²
Quick Disconnect Mating Tab Width	6.35 mm [.25 in]
Quick Disconnect Mating Tab Thickness	.81 mm [.032 in]

Usage Conditions

Insulation Requirement	Uninsulated
Operating Temperature Range	-40 – 150 °C [-40 – 302 °F]

Industry Standards

UL Rating	Listed
UL Flammability Rating	UL 94V-0
CSA Certified	Yes

Packaging Features

Packaging Quantity	2000
Quick Disconnect Packaging Method	Strip/Reel

Other

Barrel Color	Natural
--------------	---------

Product Compliance

[For compliance documentation, visit the product page on TE.com>](#)

EU RoHS Directive 2011/65/EU	Compliant
------------------------------	-----------

EU ELV Directive 2000/53/EC	Compliant
China RoHS 2 Directive MIIT Order No 32, 2016	No Restricted Materials Above Threshold
EU REACH Regulation (EC) No. 1907/2006	Current ECHA Candidate List: JAN 2021 (211) Candidate List Declared Against: JAN 2021 (211) Does not contain REACH SVHC
Halogen Content	Low Halogen - Br, Cl, F, I < 900 ppm per homogenous material. Also BFR/CFR/PVC Free
Solder Process Capability	Not applicable for solder process capability

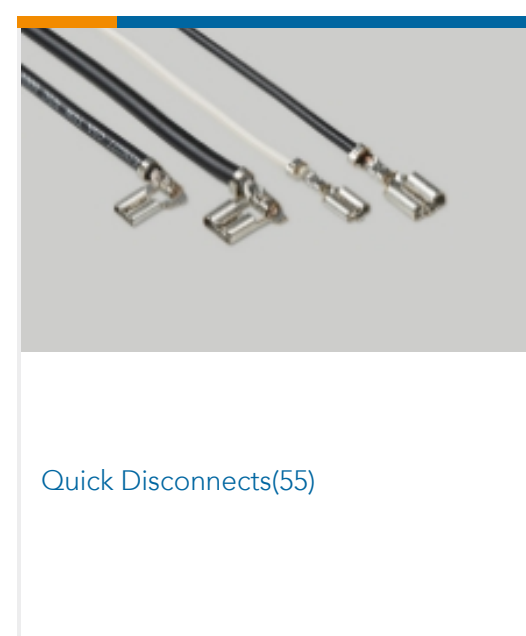
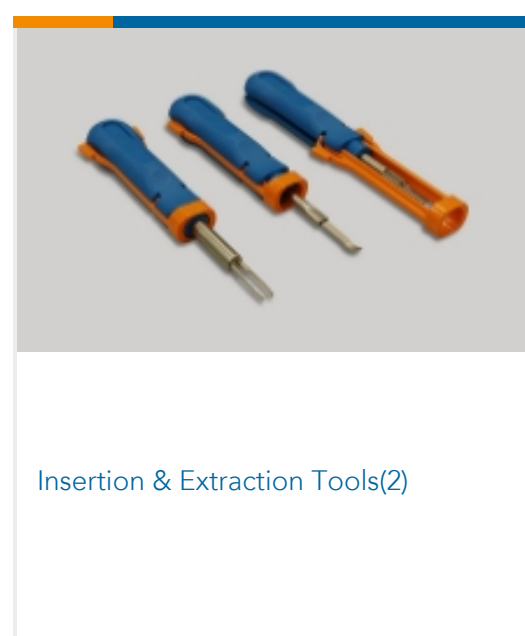
Product Compliance Disclaimer

This information is provided based on reasonable inquiry of our suppliers and represents our current actual knowledge based on the information they provided. This information is subject to change. The part numbers that TE has identified as EU RoHS compliant have a maximum concentration of 0.1% by weight in homogenous materials for lead, hexavalent chromium, mercury, PBB, PBDE, DBP, BBP, DEHP, DIBP, and 0.01% for cadmium, or qualify for an exemption to these limits as defined in the Annexes of Directive 2011/65/EU (RoHS2). Finished electrical and electronic equipment products will be CE marked as required by Directive 2011/65/EU. Components may not be CE marked. Additionally, the part numbers that TE has identified as EU ELV compliant have a maximum concentration of 0.1% by weight in homogenous materials for lead, hexavalent chromium, and mercury, and 0.01% for cadmium, or qualify for an exemption to these limits as defined in the Annexes of Directive 2000/53/EC (ELV). Regarding the REACH Regulation, the information TE provides on SVHC in articles for this part number is based on the latest European Chemicals Agency (ECHA) 'Guidance on requirements for substances in articles' posted at this URL: <https://echa.europa.eu/guidance-documents/guidance-on-reach>

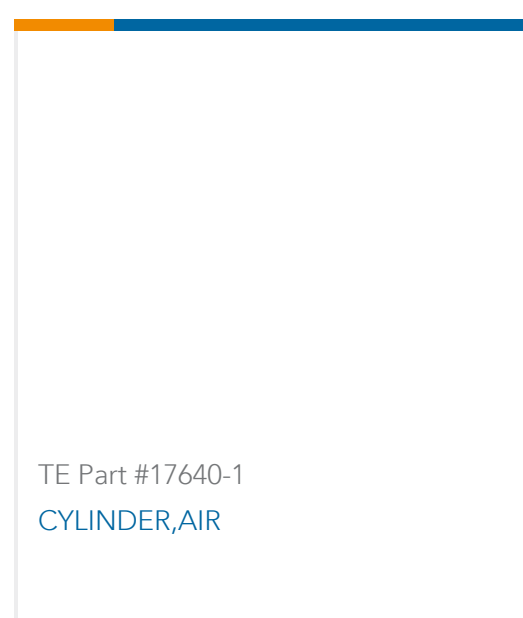
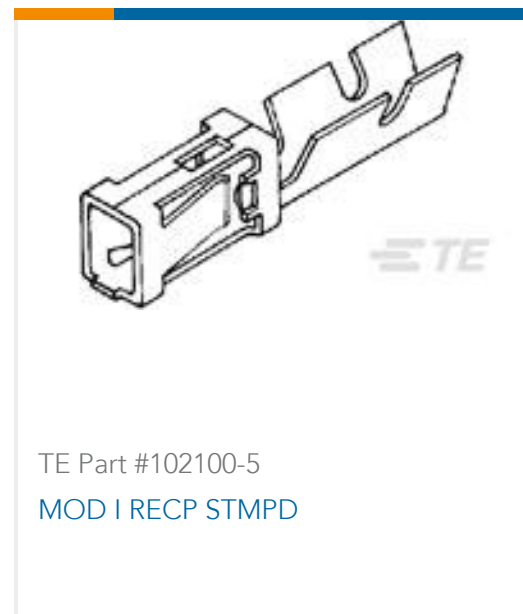
Compatible Parts



Also in the Series | Ultra-Pod 250



Customers Also Bought



Documents

Product Drawings

[ULTRA-POD 250 ASSY REC 18-14 AWG TPBR](#)

English

CAD Files

[3D PDF](#)

3D

Customer View Model

[ENG_CVM_CVM_521567-2_A.2d_dxf.zip](#)

English

Customer View Model

[ENG_CVM_CVM_521567-2_A.3d_igs.zip](#)

English

Customer View Model

[ENG_CVM_CVM_521567-2_A.3d_stp.zip](#)

English

By downloading the CAD file I accept and agree to the [Terms and Conditions](#) of use.



Product Specifications

Application Specification

English

Product Environmental Compliance

TE Material Declaration

English

Agency Approvals

UL Report

English