

55835-1 ✓ ACTIVE

COPALUM

TE Internal #: 55835-1

Ring Terminals & Spade Terminals, Ring Tongue, 2AWG Wire Size, 35mm² Wire Size, 67872CMA Wire Size, M6, Stud Diameter 6.73 mm [.265 in]

[View on TE.com >](#)



Terminals & Splices > Ring Terminals & Spade Terminals



Terminal & Splice Type: **Ring Tongue**

Wire Size: **67872 CMA**

Ring & Spade Stud Size: **M6**

Features

Product Type Features

Ring & Spade Stud Size	M6
Ring & Spade Barrel Type	Closed Barrel
Sealable	Yes
Insulated	No
Ring & Spade Wire/Cable Type	Aluminum, Copper
Support Style	Insulation Support

Configuration Features

Number of Holes	2
Terminal Angle	Straight

Body Features

Ring & Spade Plating Material	Tin
-------------------------------	-----

Contact Features

Terminal & Splice Type	Ring Tongue
Ring & Spade Terminal Orientation	Straight
Underplating Material	None

Mechanical Attachment

Wire Insulation Support	With
-------------------------	------

Dimensions

Wire Size	67872 CMA
-----------	-----------



Stud Diameter	6.73 mm[.265 in]
Tongue Thickness	2.36 mm[.093 in]
Ring & Spade Overall Length	83.06 mm[3.264 in]
Barrel Inside Diameter	10.92 mm[.43 in]
Ring & Spade Wire Insulation Diameter (Max)	9.65 mm[.38 in]
Ring & Spade Wire Insulation Diameter	8.64 – 9.65 mm[.34 – .38 in]

Usage Conditions

Insulation Requirement	Uninsulated
Operating Temperature Range	-55 – 150 °C[-85 – 347 °F]

Operation/Application

Heavy Duty	No
------------	----

Industry Standards

Government Qualified	No
----------------------	----

Packaging Features

Packaging Quantity	25
Ring & Spade Packaging Method	Carton

Product Compliance

[For compliance documentation, visit the product page on TE.com>](#)

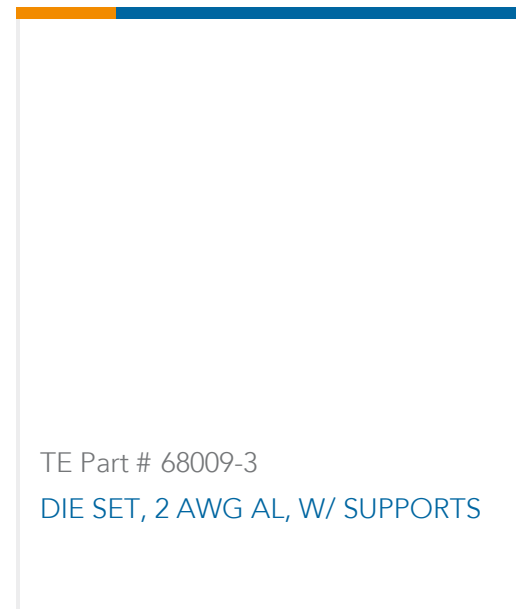
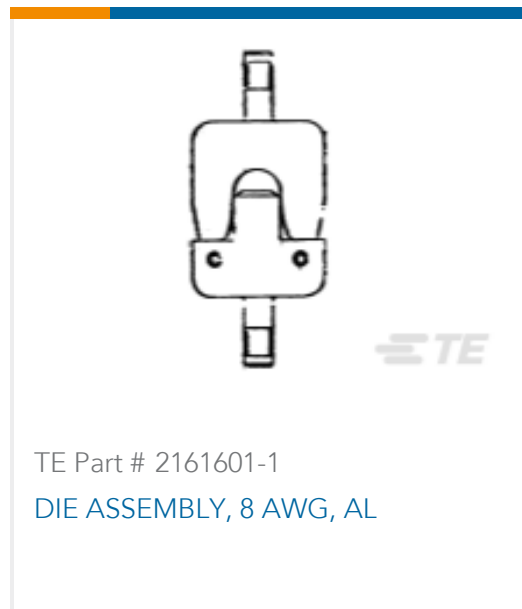
EU RoHS Directive 2011/65/EU	Compliant
EU ELV Directive 2000/53/EC	Compliant
China RoHS 2 Directive MIIT Order No 32, 2016	No Restricted Materials Above Threshold
EU REACH Regulation (EC) No. 1907/2006	Current ECHA Candidate List: JAN 2021 (211) Candidate List Declared Against: JUN 2020 (209) SVHC > Threshold: Not Yet Reviewed
Halogen Content	Not Yet Reviewed for halogen content
Solder Process Capability	Not applicable for solder process capability

Product Compliance Disclaimer

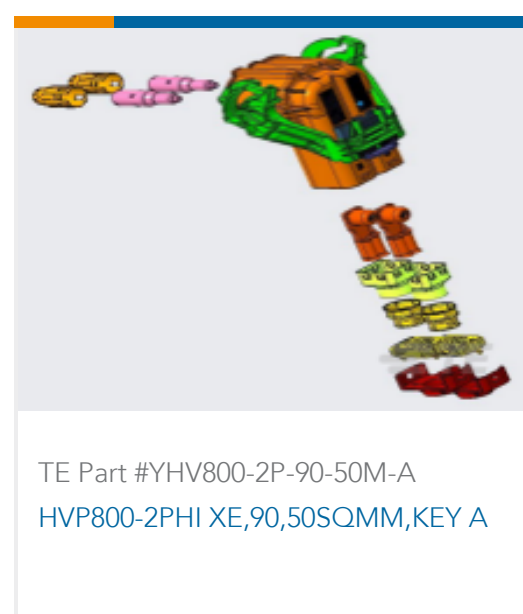
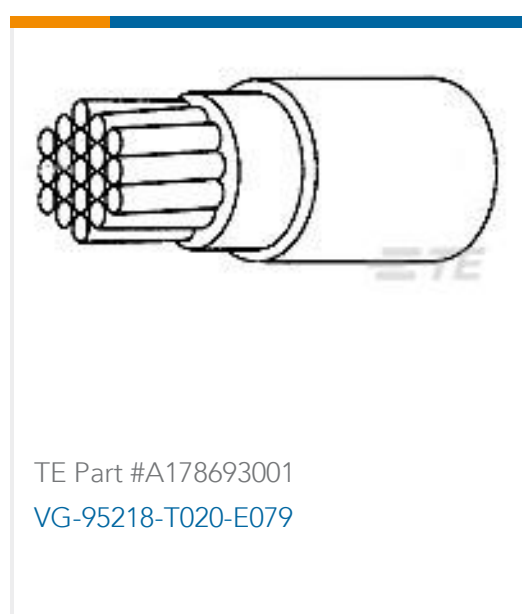
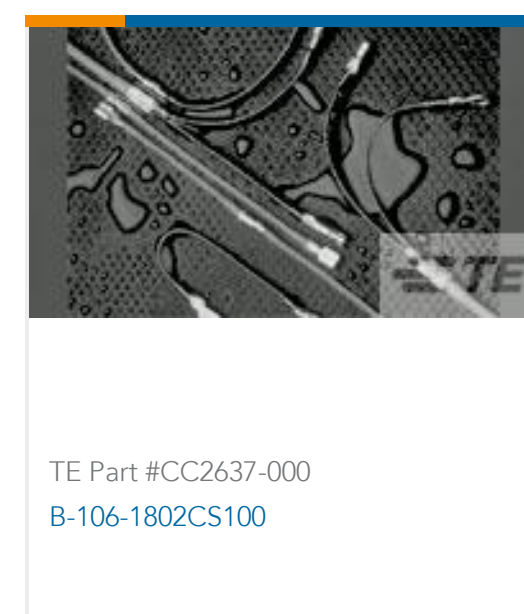
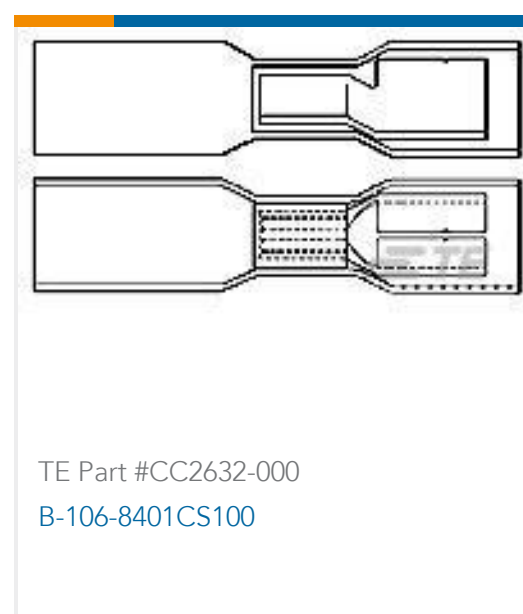
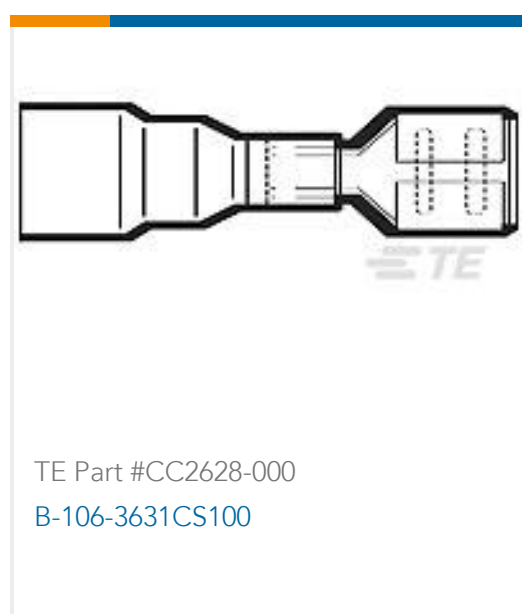
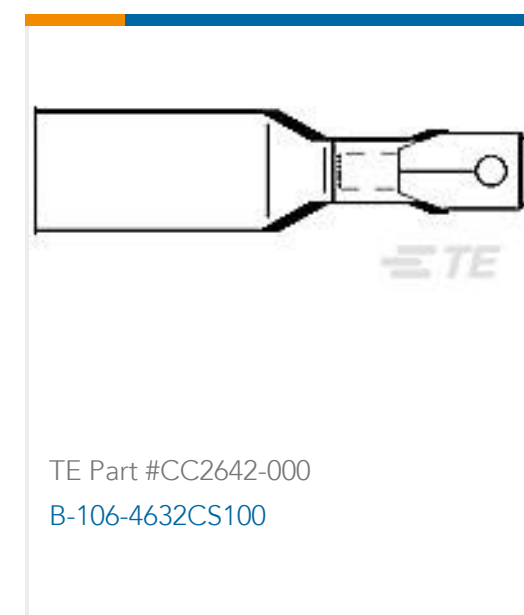
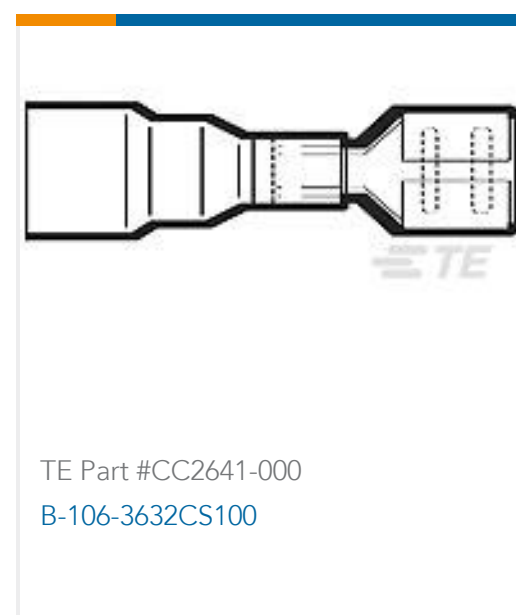
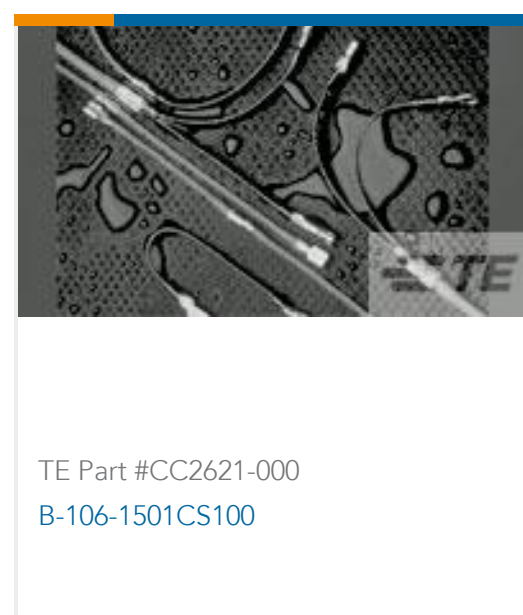
This information is provided based on reasonable inquiry of our suppliers and represents our current actual knowledge based on the information they provided. This information is subject to change. The part numbers that TE has identified as EU RoHS compliant have a maximum concentration of 0.1% by weight in homogenous materials for lead, hexavalent chromium, mercury, PBB, PBDE, DBP, BBP, DEHP, DIBP, and 0.01% for cadmium, or qualify for an exemption to these limits as defined in the Annexes of Directive 2011/65/EU (RoHS2). Finished electrical and electronic equipment products

will be CE marked as required by Directive 2011/65/EU. Components may not be CE marked. Additionally, the part numbers that TE has identified as EU ELV compliant have a maximum concentration of 0.1% by weight in homogenous materials for lead, hexavalent chromium, and mercury, and 0.01% for cadmium, or qualify for an exemption to these limits as defined in the Annexes of Directive 2000/53/EC (ELV). Regarding the REACH Regulation, the information TE provides on SVHC in articles for this part number is based on the latest European Chemicals Agency (ECHA) 'Guidance on requirements for substances in articles' posted at this URL: <https://echa.europa.eu/guidance-documents/guidance-on-reach>

Compatible Parts



Customers Also Bought



Documents

Product Drawings



TERM,COPALUM R 2A 4C (2)1/4

English

CAD Files

[3D PDF](#)

3D

Customer View Model

[ENG_CVM_CVM_55835-1_B.2d_dxf.zip](#)

English

Customer View Model

[ENG_CVM_CVM_55835-1_B.3d_igs.zip](#)

English

Customer View Model

[ENG_CVM_CVM_55835-1_B.3d_stp.zip](#)

English

By downloading the CAD file I accept and agree to the [Terms and Conditions](#) of use.

Datasheets & Catalog Pages

[COPALUM Lite Sealed Terminals and Splices](#)

English

Product Specifications

[Application Specification](#)

English