

62747-1 ✓ ACTIVE

FASTON | FASTON 187

TE Internal #: 62747-1

FASTON 187, PCB Terminals, Tab, Tab, PCB Terminal PCB

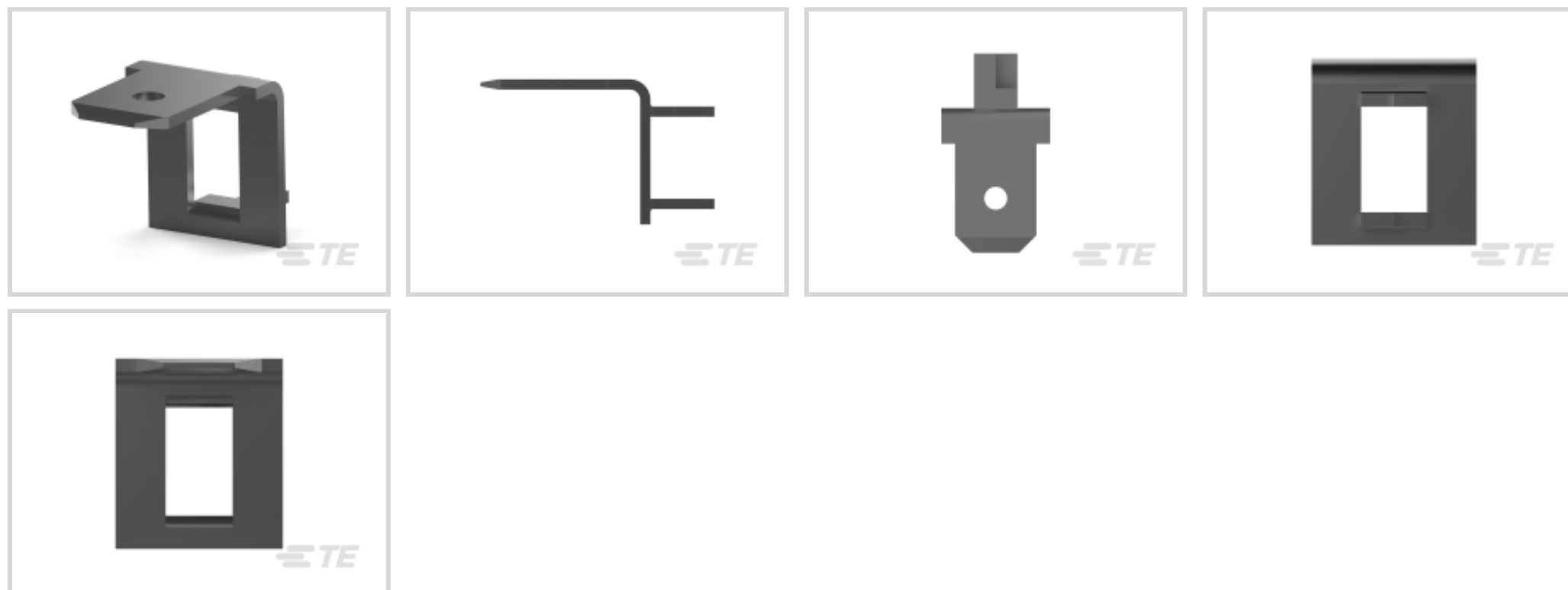
Thickness (Recommended) .062 in [1.57 mm], PCB Terminal Mating

Tab Width .187 in [4.75 mm]

[View on TE.com >](#)



Terminals & Splices > PCB Terminals



Terminal & Splice Type: **Tab**

PCB Terminal Terminal Type: **Tab**

PCB Terminal PCB Thickness (Recommended): **1.57 mm [.062 in]**

PCB Terminal Mating Tab Width: **4.75 mm [.187 in]**

PCB Terminal Mating Tab Thickness: **.51 mm [.02 in]**

Features

Product Type Features

FASTON	Yes
Terminates To	Printed Circuit Board

Configuration Features

Connection Capacity	Single
Stud Hole	No
Terminal Angle	90°

Body Features

Plating Thickness	3.81 μm[150 μin]
PCB Terminal Plating Material	Tin

Contact Features

Contact Plating Material	Tin
Terminal & Splice Type	Tab
PCB Terminal Terminal Type	Tab
Underplating Material	Copper



Terminal Size	4.75
PCB Terminal Terminal Orientation	Straight

Termination Features

PCB Terminal Termination Method	Through Hole - Solder
---------------------------------	-----------------------

Mechanical Attachment

Wire Insulation Support	Without
-------------------------	---------

Dimensions

PCB Terminal PCB Thickness (Recommended)	1.57 mm[.062 in]
PCB Terminal Mating Tab Width	4.75 mm[.187 in]
PCB Terminal Mating Tab Thickness	.51 mm[.02 in]
Height Above PC Board	8.43 mm[.336 in]
Receptacle Terminal Stock Thickness	.51 mm[.02 in]
Extension Below Board	3.18 mm[.125 in]

Usage Conditions

Insulation Requirement	Uninsulated
Operating Temperature Range	-30 – 110 °C[-22 – 230 °F]

Packaging Features

Packaging Quantity	1000
PCB Terminal Packaging Method	Reel

Product Compliance



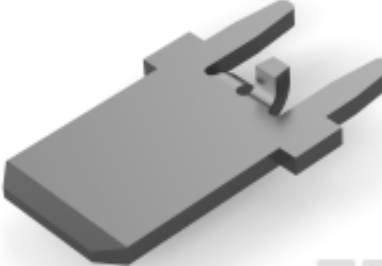


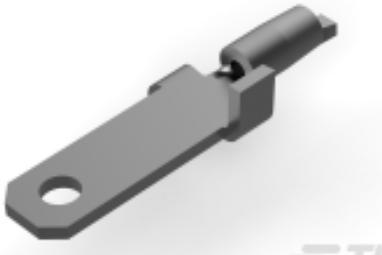





[For compliance documentation, visit the product page on TE.com>](#)

EU RoHS Directive 2011/65/EU	Compliant
EU ELV Directive 2000/53/EC	Compliant
China RoHS 2 Directive MIIT Order No 32, 2016	No Restricted Materials Above Threshold
EU REACH Regulation (EC) No. 1907/2006	Current ECHA Candidate List: JAN 2021 (211) Candidate List Declared Against: JAN 2021 (211) Does not contain REACH SVHC
Halogen Content	Low Halogen - Br, Cl, F, I < 900 ppm per homogenous material. Also BFR/CFR/PVC Free
Solder Process Capability	Pin-in-Paste capable to 260°C

Product Compliance Disclaimer

This information is provided based on reasonable inquiry of our suppliers and represents our current actual knowledge based on the information they provided. This information is subject to change. The part numbers that TE has identified as EU RoHS compliant have a maximum concentration of 0.1% by weight in homogenous materials for lead, hexavalent chromium, mercury, PBB, PBDE, DBP, BBP, DEHP, DIBP, and 0.01% for cadmium, or qualify for an exemption to these limits as defined in the Annexes of Directive 2011/65/EU (RoHS2). Finished electrical and electronic equipment products will be CE marked as required by Directive 2011/65/EU. Components may not be CE marked. Additionally, the part numbers that TE has identified as EU ELV compliant have a maximum concentration of 0.1% by weight in homogenous materials for lead, hexavalent chromium, and mercury, and 0.01% for cadmium, or qualify for an exemption to these limits as defined in the Annexes of Directive 2000/53/EC (ELV). Regarding the REACH Regulation, the information TE provides on SVHC in articles for this part number is based on the latest European Chemicals Agency (ECHA) 'Guidance on requirements for substances in articles' posted at this URL: <https://echa.europa.eu/guidance-documents/guidance-on-reach>

Compatible Parts

 <p>TE Part # 1217057-1 187 FASTON,PCB TAB,TPBR</p>	 <p>TE Part # 63982-1 FASTON 187 PCB TAB TPBR LP</p>	 <p>TE Part # 1742188-1 250 FASTON,PCB TAB,TCBR</p>	 <p>TE Part # 1217156-1 187 FASTON,PCB TAB,TNBR</p>
 <p>TE Part # 1742803-1 FASTON 312 PCB TAB TPBR</p>	 <p>TE Part # 62437-1 FASTON .110 (2.79 MM) PCB TAB TPBR</p>	 <p>TE Part # 60284-2 FASTON .205 (5.21 MM) TAB TPCUBR</p>	 <p>TE Part # 725996-2 PCB 110 TAB FLAG .02 TPBR LP</p>
 <p>TE Part # 1217756-1 187 FASTON,TAB,TNBR</p>	 <p>TE Part # 62705-1 FASTON 187 DUAL TAB PTPBR</p>	 <p>TE Part # 1-1217056-0 250 FASTON,PCB TAB,TPBR</p>	

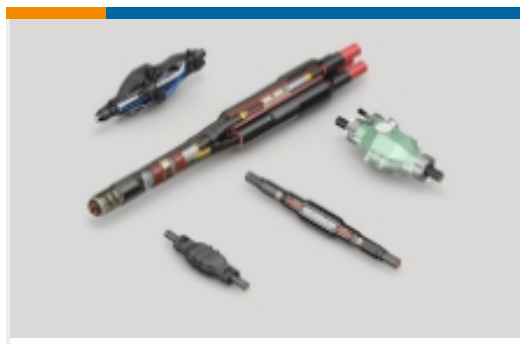
Also in the Series | **FASTON 187**



Crimp Terminal Housings(40)



Insertion & Extraction Tools(1)



Joints & Splices(1)



PCB Terminals(48)



Quick Disconnects(222)



Splices(1)

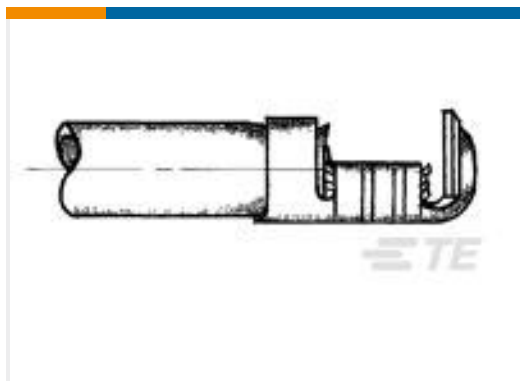
Customers Also Bought



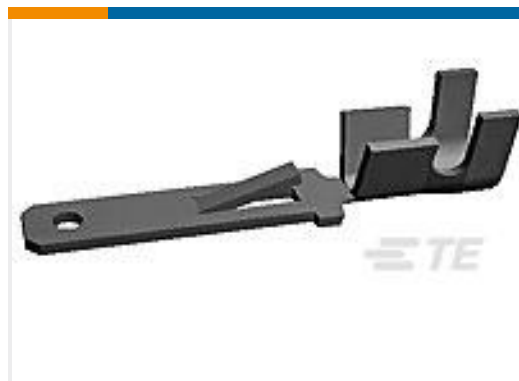
TE Part #178688-2
SIGNAL HEADER



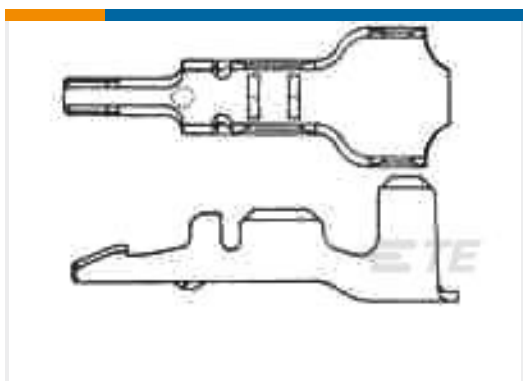
TE Part #1612802-1
TH/.025 CONNECTOR SYSTEM,
HOUSING



TE Part #170023-1
BUTTON CONTACT



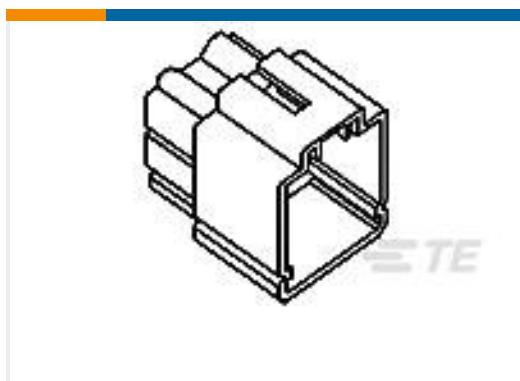
TE Part #170030-5
FF 250 TAB 20-14AWG PTBR



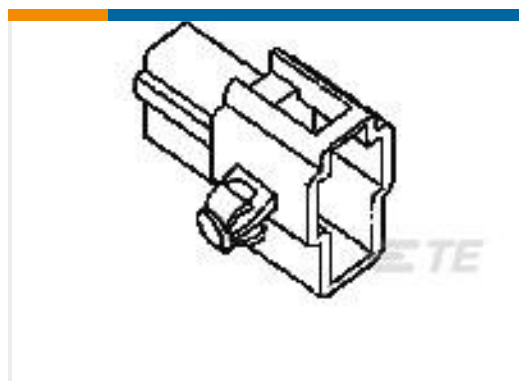
TE Part #170197-2
MINI AMP-IN 24-20 AWG



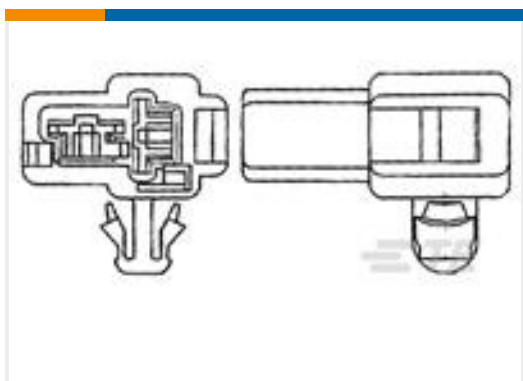
TE Part #172020-1
13P MINI AMPIN HEADER HSG



TE Part #172227-1
FF 250 REC HSG 9P NYLON NAT



TE Part #172383-5
FF 250 REC HSG 2P NYLON BLUE P/M



TE Part #176992-2
250 DBL LOCK CAP IKEI 2P BLACK



TE Part #CP4914-000
ES2000-NO.2-B9-0-60MM-SH

Documents



Product Drawings

FASTON 187 TAB STAKE TPBR

English

CAD Files

3D PDF

3D

Customer View Model

[ENG_CVM_CVM_62747-1_E_c-62747-1-e.2d_dxf.zip](#)

English

Customer View Model

[ENG_CVM_CVM_62747-1_E_c-62747-1-e.3d_igs.zip](#)

English

Customer View Model

[ENG_CVM_CVM_62747-1_E_c-62747-1-e.3d_stp.zip](#)

English

By downloading the CAD file I accept and agree to the [Terms and Conditions](#) of use.

Agency Approvals

UL Report

English