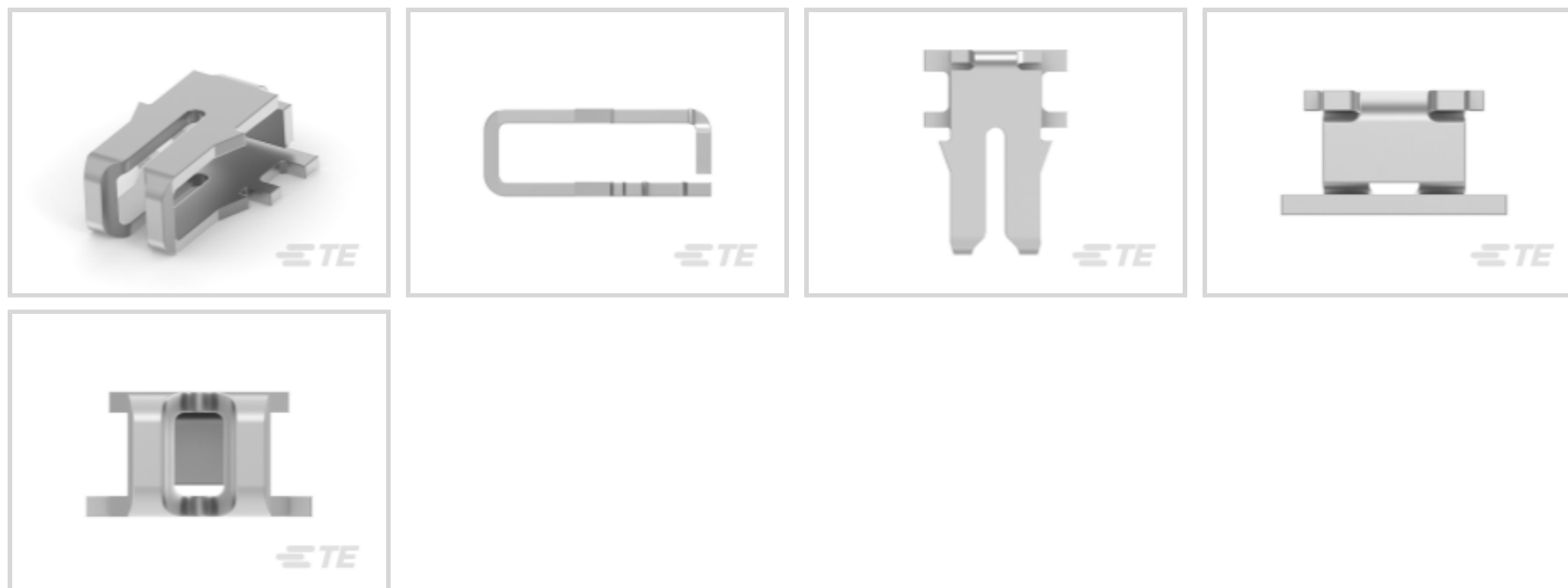


**MAG-MATE**

TE Internal #: 62903-1

TE Internal Description: MAG-MATE SLOT TERM 020 TPBR

[View on TE.com >](#)**Product Compliance**[For compliance documentation, visit the product page on TE.com>](#)

EU RoHS Directive 2011/65/EU	Compliant
EU ELV Directive 2000/53/EC	Compliant
China RoHS 2 Directive MIIT Order No 32, 2016	No Restricted Materials Above Threshold
EU REACH Regulation (EC) No. 1907/2006	Current ECHA Candidate List: JAN 2021 (211) Candidate List Declared Against: JAN 2020 (205) SVHC > Threshold: Not Yet Reviewed
Halogen Content	Low Halogen - Br, Cl, F, I < 900 ppm per homogenous material. Also BFR/CFR/PVC Free
Solder Process Capability	Not applicable for solder process capability

**Product Compliance Disclaimer**

This information is provided based on reasonable inquiry of our suppliers and represents our current actual knowledge based on the information they provided. This information is subject to change. The part numbers that TE has identified as EU RoHS compliant have a maximum concentration of 0.1% by weight in homogenous materials for lead, hexavalent chromium, mercury, PBB, PBDE, DBP, BBP, DEHP, DIBP, and 0.01% for cadmium, or qualify for an exemption to these limits as defined in the Annexes of Directive 2011/65/EU (RoHS2). Finished electrical and electronic equipment products will be CE marked as required by Directive 2011/65/EU. Components may not be CE marked. Additionally, the part numbers that TE has identified as EU ELV compliant have a maximum concentration of 0.1% by weight in homogenous materials for lead, hexavalent chromium, and mercury, and 0.01% for cadmium, or qualify for an exemption to these limits as defined in the Annexes of Directive 2000/53/EC (ELV). Regarding the REACH Regulation, the information TE provides on SVHC in articles for this part number is based on the latest European Chemicals Agency (ECHA) 'Guidance on requirements for substances in articles' posted at this URL: <https://echa.europa.eu/guidance-documents/guidance-on-reach>

**Also in the Series | MAG-MATE**



Insertion &amp; Extraction Tools(8)

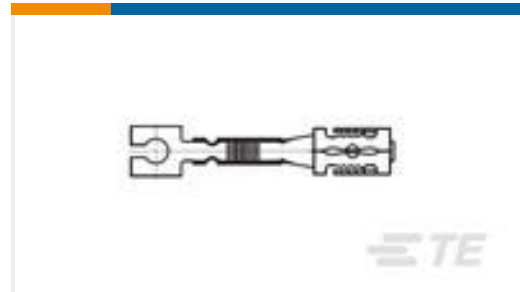
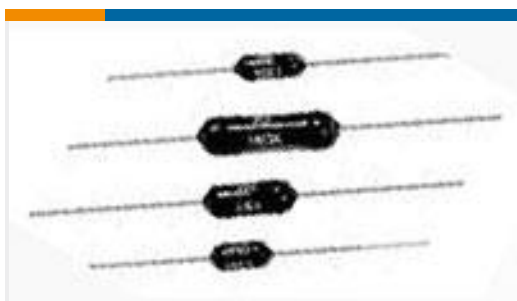
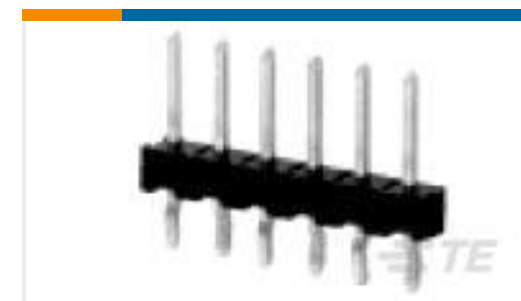
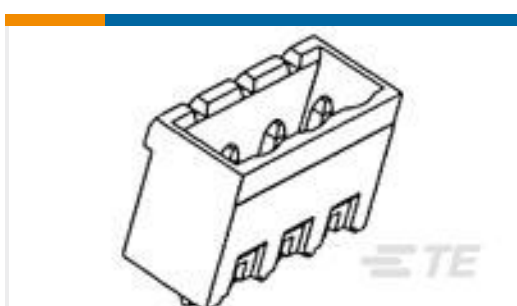


Magnet Wire Terminals(468)



PCB Terminals(1)

## Customers Also Bought

TE Part #2-1393243-4  
RTE25524TE Part #1494211-1  
SIZE(2.8) AMPLIVAR FASTON RECPTE Part #5-103326-2  
04 MODII HDR DRRA B/A .100CLTE Part #1623187-1  
CRG0805 1% 300KTE Part #1-1879629-1  
H4P 220K 0.5% 50PPMTE Part #1825142-2  
AE101MD1AG04TE Part #964339-1  
MAG MATE KONT. MKIITE Part #104344-3  
05 MODII HDR SRST B/A W/HDTE Part #1-1546111-0  
EUROSTYLE TB,HEADER,GREY,10POSTE Part #3-2176367-7  
RQ 0603 11K 0.1% 10PPM 1K RL

## Documents

### CAD Files

3D PDF

3D

### Customer View Model

[ENG\\_CVM\\_CVM\\_62903-1\\_L.2d\\_dxf.zip](#)

English

### Customer View Model

[ENG\\_CVM\\_CVM\\_62903-1\\_L.3d\\_igs.zip](#)



English

**Customer View Model**

[ENG\\_CVM\\_CVM\\_62903-1\\_L.3d\\_stp.zip](#)

English

By downloading the CAD file I accept and agree to the [Terms and Conditions](#) of use.

---

**Datasheets & Catalog Pages**

[Magnet Wire Terminals & Splices](#)

English

---

**Product Specifications**

[Application Specification](#)

English

---

**Agency Approvals**

[UL Report](#)

English