

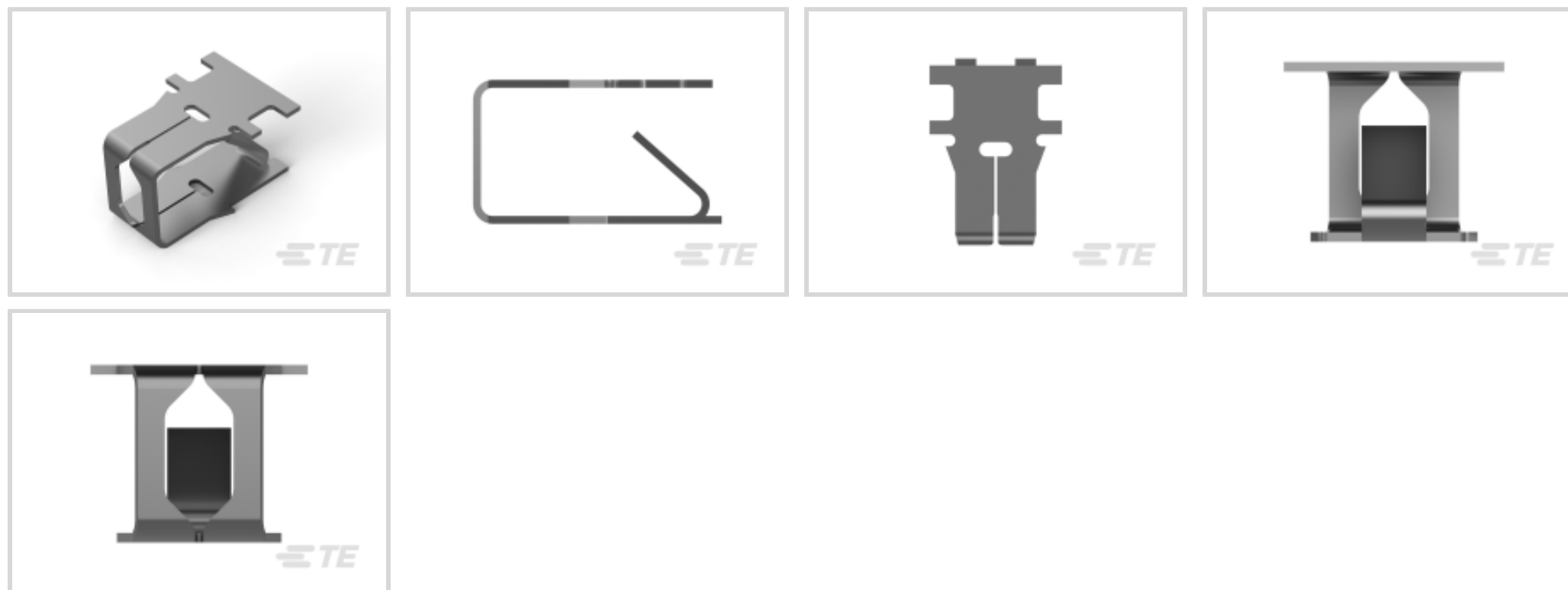
MAG-MATE

TE Internal #: 737432-2

MAG-MATE, Magnet Wire Terminals, Poke-In, Terminal Height 7.6 mm [.3 in], Size 2, Magnet Wire Size .18 – .27 mm, Magnet Wire Size 33 – 31 AWG

[View on TE.com >](#)

Terminals & Splices > Magnet Wire Terminals

Magnet Wire Terminal Terminal Type: **Poke-In**Terminal Height: **7.6 mm [.3 in]**Cavity Size: **Size 2**Magnet Wire Size: **33 – 31 AWG****Features****Product Type Features**

Magnet Wire Terminal Wire/Cable Type	Magnet Wire
Sealable	No

Body Features

Cavity Size	Size 2
Magnet Wire Terminal Plating Material	Tin

Contact Features

Magnet Wire Terminal Terminal Type	Poke-In
Magnet Wire Terminal Terminal Orientation	Straight

Termination Features

Magnet Wire Terminal Termination Method	IDC Standard
---	--------------

Dimensions

Terminal Height	7.6 mm [.3 in]
Magnet Wire Size	33 – 31 AWG
Magnet Wire Terminal Material Thickness	.25 mm [.01 in]



Stock Thickness (Magnet Wire Side)	.25 mm[.01 in]
------------------------------------	----------------

Magnet Wire Terminal Overall Length	8 mm[.314 in]
-------------------------------------	---------------

Usage Conditions

Insulation Requirement	Uninsulated
------------------------	-------------

Operating Temperature Range	-65 – 150 °C[-85 – 302 °F]
-----------------------------	----------------------------

Packaging Features

Packaging Quantity	7000
--------------------	------

Magnet Wire Terminal Packaging Method	Reel/Carton, Strip
---------------------------------------	--------------------

Product Compliance

[For compliance documentation, visit the product page on TE.com>](#)

EU RoHS Directive 2011/65/EU	Compliant
------------------------------	-----------

EU ELV Directive 2000/53/EC	Compliant
-----------------------------	-----------

China RoHS 2 Directive MIIT Order No 32, 2016	No Restricted Materials Above Threshold
---	---

EU REACH Regulation (EC) No. 1907/2006	Current ECHA Candidate List: JAN 2021 (211) Candidate List Declared Against: JAN 2021 (211) Does not contain REACH SVHC
--	---

Halogen Content	Low Halogen - Br, Cl, F, I < 900 ppm per homogenous material. Also BFR/CFR/PVC Free
-----------------	---

Solder Process Capability	Not applicable for solder process capability
---------------------------	--

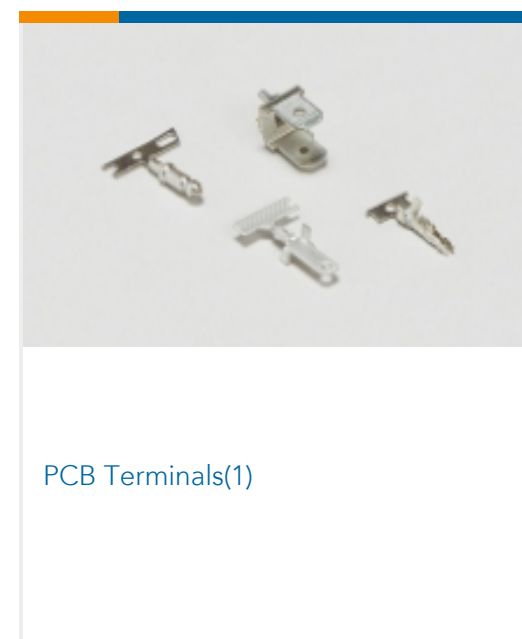
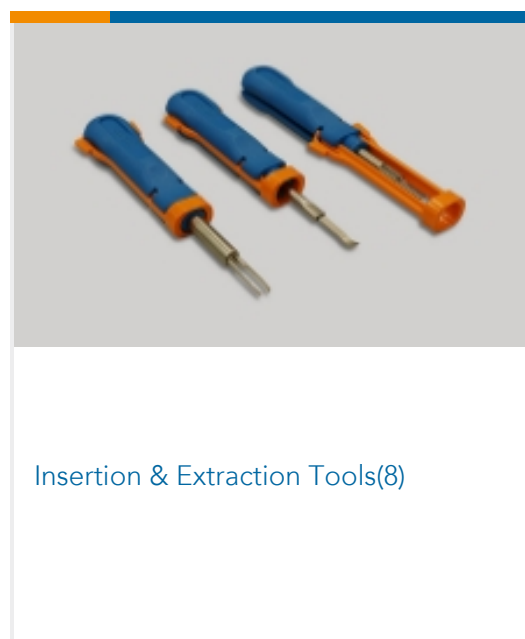
Product Compliance Disclaimer

This information is provided based on reasonable inquiry of our suppliers and represents our current actual knowledge based on the information they provided. This information is subject to change. The part numbers that TE has identified as EU RoHS compliant have a maximum concentration of 0.1% by weight in homogenous materials for lead, hexavalent chromium, mercury, PBB, PBDE, DBP, BBP, DEHP, DIBP, and 0.01% for cadmium, or qualify for an exemption to these limits as defined in the Annexes of Directive 2011/65/EU (RoHS2). Finished electrical and electronic equipment products will be CE marked as required by Directive 2011/65/EU. Components may not be CE marked. Additionally, the part numbers that TE has identified as EU ELV compliant have a maximum concentration of 0.1% by weight in homogenous materials for lead, hexavalent chromium, and mercury, and 0.01% for cadmium, or qualify for an exemption to these limits as defined in the Annexes of Directive 2000/53/EC (ELV). Regarding the REACH Regulation, the information TE provides on SVHC in articles for this part number is based on the latest European Chemicals Agency (ECHA) 'Guidance on requirements for substances in articles' posted at this URL: <https://echa.europa.eu/guidance-documents/guidance-on-reach>

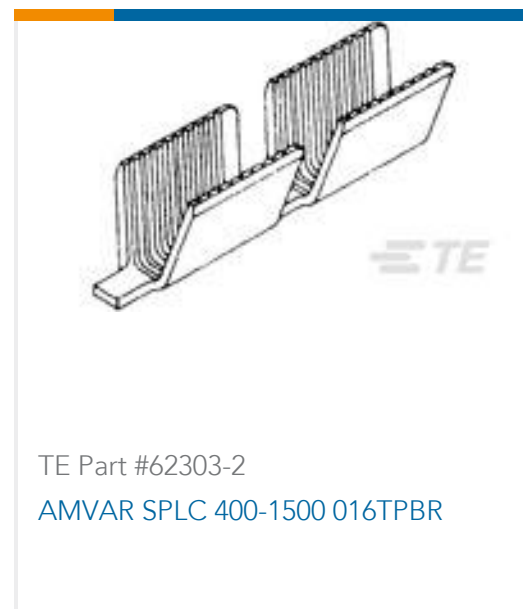
Compatible Parts

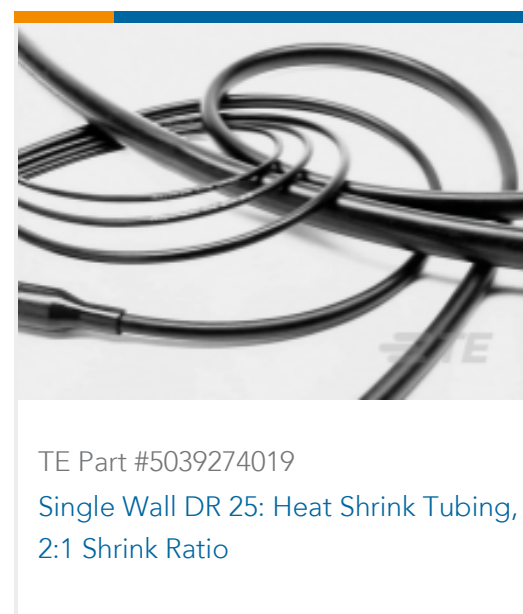
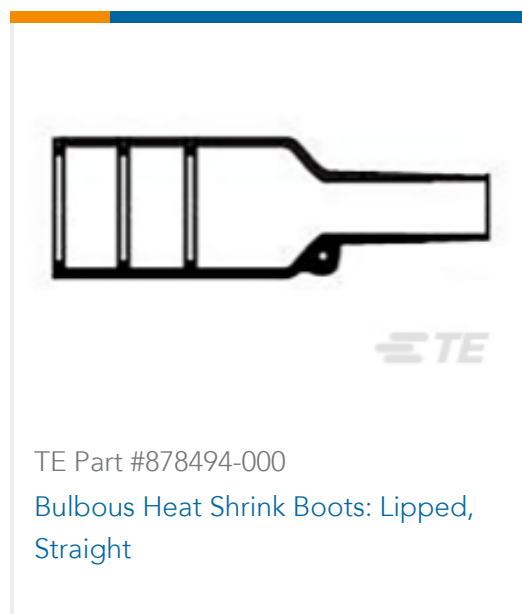


Also in the Series | **MAG-MATE**



Customers Also Bought





Documents

Product Drawings

MAG-MATE POKE-IN TERMINAL

English

CAD Files

3D PDF

3D

Customer View Model

[ENG_CVM_CVM_737432-2_E.2d_dxf.zip](#)

English

Customer View Model

[ENG_CVM_CVM_737432-2_E.3d_igs.zip](#)

English

Customer View Model

[ENG_CVM_CVM_737432-2_E.3d_stp.zip](#)

English

By downloading the CAD file I accept and agree to the [Terms and Conditions](#) of use.

Datasheets & Catalog Pages

Magnet Wire Terminals & Splices

English

Product Specifications

Application Specification

English