

770199-1 ✓ ACTIVE

### Timer Connector System

TE Internal #: 770199-1

Timer Connector System, Crimp Terminal Housings, Receptacle, Receptacle, 18 Position, Straight, UL 94V-2, Black Crimp Terminal Housing Housing Color

[View on TE.com >](#)



Terminals & Splices > Terminal Housings, Insulation Sleeves & Blocks > Crimp Terminal Housings



Terminal & Splice Type: **Receptacle**

Housing Type: **Receptacle**

Number of Crimp Terminal Housing Positions: **18**

Crimp Terminal Housing Terminal Orientation: **Straight**

Crimp Terminal Housing UL Flammability Rating: **UL 94V-2**

## Features

### Product Type Features

Product Type	Terminal Housing
Terminates To	Wire & Cable
Connector System	Wire-to-Board, Wire-to-Wire
Housing Type	Receptacle
Sealable	No
Insulated	No

### Configuration Features

Number of Crimp Terminal Housing Positions	18
--	----

### Body Features

Crimp Terminal Housing Housing Color	Black
Crimp Terminal Housing Mating Retention	With
Crimp Terminal Housing Mating Alignment	With

### Contact Features

Terminal & Splice Type	Receptacle
------------------------	------------



Crimp Terminal Housing Terminal Orientation	Straight
---	----------

### Mechanical Attachment

Mating Alignment Type	Polarization
Mating Retention Type	Latch
Crimp Terminal Housing Mounting Style	Cable Mount (Free-Hanging)

### Housing Features

Crimp Terminal Housing Housing Material	Nylon
---	-------

### Dimensions

Length	40.38 mm
Width	19.63 mm
Crimp Terminal Housing Centerline	5.59 mm [.22 in]

### Usage Conditions

Operating Temperature Range	-40 – 105 °C [-40 – 221 °F]
-----------------------------	-----------------------------

### Industry Standards

Crimp Terminal Housing UL Flammability Rating	UL 94V-2
---	----------

### Packaging Features

Packaging Quantity	1
Crimp Terminal Housing Packaging Method	Carton

## Product Compliance

[For compliance documentation, visit the product page on TE.com>](#)

EU RoHS Directive 2011/65/EU	Compliant
EU ELV Directive 2000/53/EC	Compliant
China RoHS 2 Directive MIIT Order No 32, 2016	No Restricted Materials Above Threshold
EU REACH Regulation (EC) No. 1907/2006	Current ECHA Candidate List: JAN 2021 (211) Candidate List Declared Against: JAN 2021 (211) Does not contain REACH SVHC
Halogen Content	BFR/CFR/PVC Free, but Br/Cl >900 ppm in other sources.
Solder Process Capability	Not applicable for solder process capability

Product Compliance Disclaimer

This information is provided based on reasonable inquiry of our suppliers and represents our current actual knowledge based on the information they provided. This information is subject to change. The part numbers that TE has identified as EU RoHS compliant have a maximum concentration of 0.1% by weight in homogenous materials for lead, hexavalent chromium, mercury, PBB, PBDE, DBP, BBP, DEHP, DIBP, and 0.01% for cadmium, or qualify for an exemption to these limits as defined in the Annexes of Directive 2011/65/EU (RoHS2). Finished electrical and electronic equipment products will be CE marked as required by Directive 2011/65/EU. Components may not be CE marked. Additionally, the part numbers that TE has identified as EU ELV compliant have a maximum concentration of 0.1% by weight in homogenous materials for lead, hexavalent chromium, and mercury, and 0.01% for cadmium, or qualify for an exemption to these limits as defined in the Annexes of Directive 2000/53/EC (ELV). Regarding the REACH Regulation, the information TE provides on SVHC in articles for this part number is based on the latest European Chemicals Agency (ECHA) 'Guidance on requirements for substances in articles' posted at this URL: <https://echa.europa.eu/guidance-documents/guidance-on-reach>

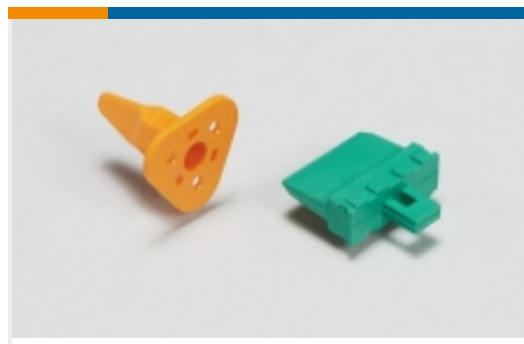
## Compatible Parts



Also in the Series | [Timer Connector System](#)



Automotive Connector Caps & Covers (11)



Automotive Connector Locks & Position Assurance(16)



Automotive Headers(79)



Automotive Housings(212)



Automotive Seals & Cavity Plugs(31)



Automotive Terminals(143)



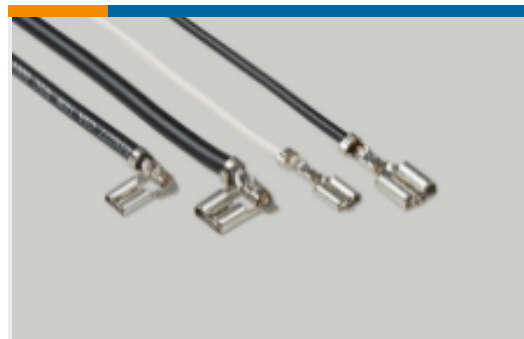
Crimp Terminal Housings(13)



Insertion & Extraction Tools(20)



Other Automotive Connector Accessories(1)



Quick Disconnects(4)

## Customers Also Bought



TE Part #60546-1  
EXTRUDED RING CRIMP 18-14 AWG BR



TE Part #63617-1  
FASTON 250 RECEPTACLE 12-10 AWG BR



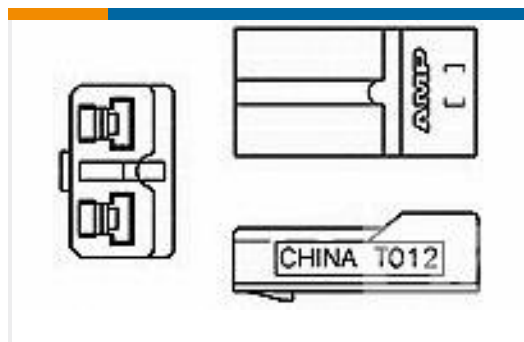
TE Part #1969206-1  
ULTRA POD: Straight, Receptacle Assembly, Unplated, .250 inch



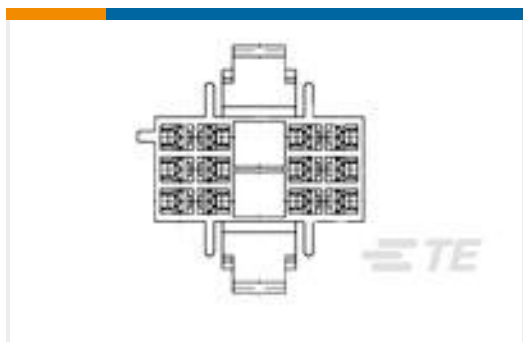
TE Part #521229-2  
PL 250 HOUSING RECEPTACLE RED NYLON 6/6



TE Part #5-1241961-8  
3POS STD-TIMER HOUSING PITCH5 MK II



TE Part #521073-2  
PLUG .125 HOUSING NYLON 66/6



TE Part #521163-2  
POWER BLADE HSG 12P NYLON BLACK



TE Part #63498-2  
PL MKII 187 REC 20-16AWG BR



## Documents

### Product Drawings

TIMER CONNECTOR 18P HSG R/H BK NYLON6/6

English

### CAD Files

3D PDF

3D

Customer View Model

[ENG\\_CVM\\_CVM\\_770199-1\\_AP.2d\\_dxf.zip](#)

English

Customer View Model

[ENG\\_CVM\\_CVM\\_770199-1\\_AP.3d\\_igs.zip](#)

English

Customer View Model

[ENG\\_CVM\\_CVM\\_770199-1\\_AP.3d\\_stp.zip](#)

English

By downloading the CAD file I accept and agree to the [Terms and Conditions](#) of use.

### Product Specifications

[Application Specification](#)

English

### Product Environmental Compliance

[TE Material Declaration](#)

English