

917745-1 ✓ ACTIVE

## Power Double Lock

TE Internal #: 917745-1

Power Double Lock, Rectangular Power Connectors, Header, Plug, Wire-to-Board, 2 Position, 13mm [.511in] Centerline, Printed Circuit Board, UL 94V-0

[View on TE.com >](#)



Connectors > Power Connectors > Rectangular Power > Rectangular Power Connectors



Rectangular Power Connector Type: **Header**

Connector & Housing Type: **Plug**

Connector System: **Wire-to-Board**

Number of Positions: **2**

Centerline (Pitch): **13 mm [ .511 in ]**

### Features

#### Product Type Features

Header Type	Shrouded
Rectangular Power Connector Type	Header
Connector & Housing Type	Plug
Connector System	Wire-to-Board
Sealable	No
Connector & Contact Terminates To	Printed Circuit Board

#### Configuration Features

Number of Positions	2
PCB Mount Orientation	Vertical
Number of Power Positions	2
Number of Signal Positions	0
Number of Rows	1

#### Electrical Characteristics

Operating Voltage	300 VAC
-------------------	---------



### Contact Features

Contact Layout	Inline
Contact Current Rating (Max)	3 A, 14 A
Contact Retention Within Housing	Without
Contact Type	Tab
PCB Contact Termination Area Plating Material	Tin
Contact Mating Area Plating Material	Tin
Contact Mating Area Plating Material Thickness	31.49 $\mu\text{m}$ [.8 $\mu\text{in}$ ]

### Termination Features

Termination Method to Printed Circuit Board	Through Hole - Press-Fit
---------------------------------------------	--------------------------

### Mechanical Attachment

Mating Alignment Type	Polarization
Mating Alignment	With
PCB Mount Alignment	With
PCB Mount Retention	With
PCB Mount Retention Type	Mounting Post
Connector Mounting Type	Board Mount
Mating Retention	With
Mating Retention Type	Latch

### Housing Features

Centerline (Pitch)	13 mm [.511 in]
Housing Color	Natural
Housing Material	Nylon 6/6

### Usage Conditions

Operating Temperature Range	-30 – 105 $^{\circ}\text{C}$ [-22 – 221 $^{\circ}\text{F}$ ]
-----------------------------	--------------------------------------------------------------

### Operation/Application

Circuit Application	Power
---------------------	-------

### Industry Standards

UL Flammability Rating	UL 94V-0
Glow Wire Rating	Standard Part - Not Glow Wire

### Packaging Features

Packaging Method	Box
------------------	-----



Packaging Quantity	240
--------------------	-----

**Other**

Position Locations Omitted	2
For Use With	Plug: 179938

**Product Compliance**

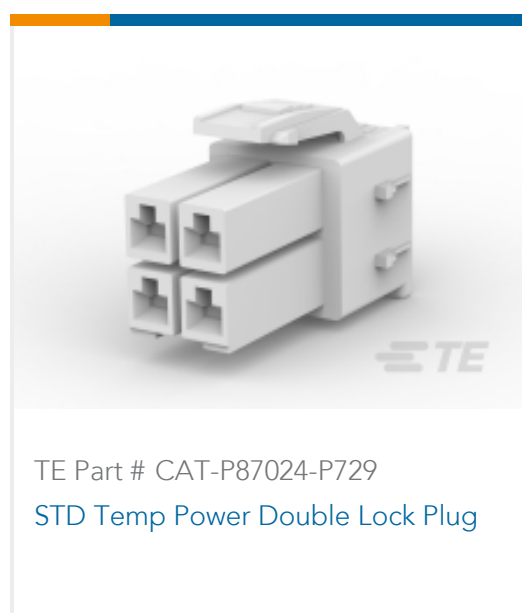
[For compliance documentation, visit the product page on TE.com>](#)

EU RoHS Directive 2011/65/EU	Compliant
EU ELV Directive 2000/53/EC	Compliant
China RoHS 2 Directive MIIT Order No 32, 2016	No Restricted Materials Above Threshold
EU REACH Regulation (EC) No. 1907/2006	Current ECHA Candidate List: JAN 2021 (211) Candidate List Declared Against: JAN 2021 (211) Does not contain REACH SVHC
Halogen Content	Not Low Halogen - contains Br or Cl > 900 ppm.
Solder Process Capability	Wave solder capable to 265°C

Product Compliance Disclaimer

This information is provided based on reasonable inquiry of our suppliers and represents our current actual knowledge based on the information they provided. This information is subject to change. The part numbers that TE has identified as EU RoHS compliant have a maximum concentration of 0.1% by weight in homogenous materials for lead, hexavalent chromium, mercury, PBB, PBDE, DBP, BBP, DEHP, DIBP, and 0.01% for cadmium, or qualify for an exemption to these limits as defined in the Annexes of Directive 2011/65/EU (RoHS2). Finished electrical and electronic equipment products will be CE marked as required by Directive 2011/65/EU. Components may not be CE marked. Additionally, the part numbers that TE has identified as EU ELV compliant have a maximum concentration of 0.1% by weight in homogenous materials for lead, hexavalent chromium, and mercury, and 0.01% for cadmium, or qualify for an exemption to these limits as defined in the Annexes of Directive 2000/53/EC (ELV). Regarding the REACH Regulation, the information TE provides on SVHC in articles for this part number is based on the latest European Chemicals Agency (ECHA) 'Guidance on requirements for substances in articles' posted at this URL: <https://echa.europa.eu/guidance-documents/guidance-on-reach>

**Compatible Parts**



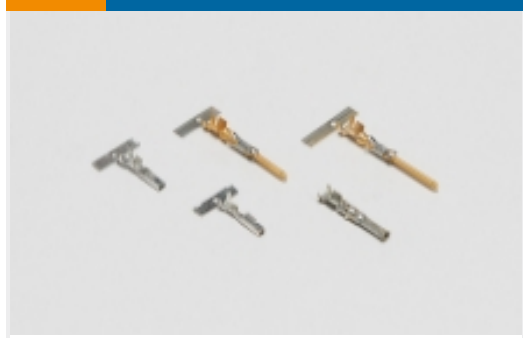
## Also in the Series | Power Double Lock



Connector Contacts(1)



Insertion & Extraction Tools(2)



Power Contacts(18)



Rectangular Connector Locking(14)



Rectangular Power Connectors(277)

## Customers Also Bought



TE Part #1376382-1  
STD Temp Power Key Header



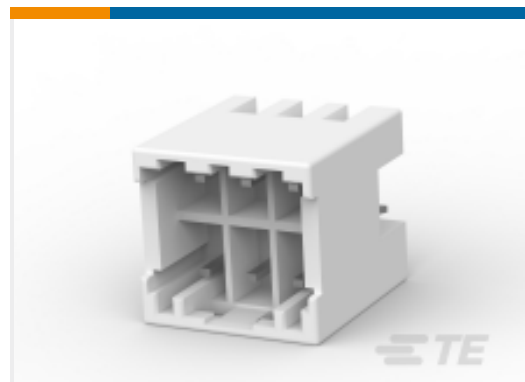
TE Part #1376383-1  
Glow Wire Power Key Header



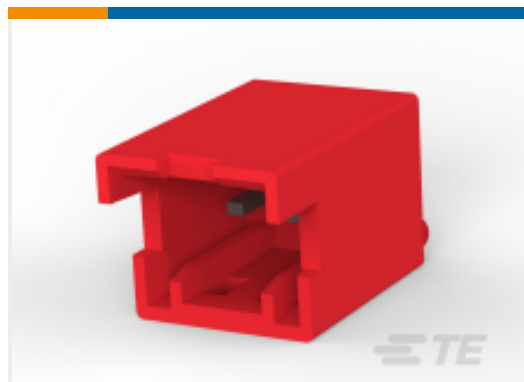
TE Part #917845-1  
AMP POWER TAB HDR ASSY 8P V



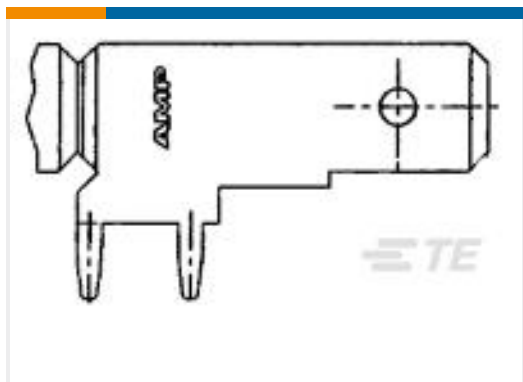
TE Part #1217214-1  
TAB, POKE-IN, MAG-MATE



TE Part #1-1971906-5  
Glow Wire GRACE INERTIA Header



TE Part #1-1871843-2  
GIC2.5 HDR ASSY TIN VERSION 2P RED



TE Part #1217754-1  
250 FASTON, FLAG, PCB TAB, TNBR



TE Part #1376385-1  
5mm B-T-W Conn. 6P HDR ASSEMBL



TE Part #1-1971906-4  
HEADER ASSY 8POS,KEYING-A,NEW GIC3.3



TE Part #1-1971906-2  
HEADER ASSY 4POS,KEYING-A,NEW GIC3.3



## Documents

### Product Drawings

#### AMP POWER D/L TAB HDR ASY 2P V

English

---

### CAD Files

#### 3D PDF

3D

#### Customer View Model

[ENG\\_CVM\\_917745-1\\_B.3d\\_igs.zip](#)

English

#### Customer View Model

[ENG\\_CVM\\_917745-1\\_B.3d\\_stp.zip](#)

English

#### Customer View Model

[ENG\\_CVM\\_917745-1\\_B.2d\\_dxf.zip](#)

English

#### 3D PDF

English

#### Customer View Model

[ENG\\_CVM\\_CVM\\_917745-1\\_C.2d\\_dxf.zip](#)

English

#### Customer View Model

[ENG\\_CVM\\_CVM\\_917745-1\\_C.3d\\_igs.zip](#)

English

#### Customer View Model

[ENG\\_CVM\\_CVM\\_917745-1\\_C.3d\\_stp.zip](#)

English

By downloading the CAD file I accept and agree to the [Terms and Conditions](#) of use.

---

### Datasheets & Catalog Pages

#### SOFT\_SHELL\_PIN\_AND\_SOCKET\_CONNECTORS\_CATALOG

English

---

### Product Specifications

#### Product Specification

English

---

### Product Environmental Compliance

#### TE Material Declaration

English

---

### Agency Approvals

#### UL Report

English

917745-1

Power Double Lock, Rectangular Power Connectors, Header, Plug, Wire-to-Board, 2  
Position, 13mm [.511in] Centerline, Printed Circuit Board, UL 94V-0

