



Raychem

TE Internal #: A75131-000

Standard Rectangular Connectors, Housing Kit, Plug, Mating Alignment, Keyed Mating Alignment Type, Mating Retention, Jackscrew Mating Retention Type

[View on TE.com >](#)

Connectors > Rectangular Connectors > Standard Rectangular Connectors



Connector Product Type: **Housing Kit**

Connector & Housing Type: **Plug**

Mating Alignment: **With**

Mating Alignment Type: **Keyed**

Mating Retention: **With**

Features

Product Type Features

Shell Size	25.4 [1.0]
Boxmount	No
Connector Type	Connector Assembly Kit
Kit Type	Connector Kit
Housing Type	EME Mount
Connector Product Type	Housing Kit
Connector & Housing Type	Plug
Connector System	Wire-to-Wire
Sealable	Yes
Connector & Contact Terminates To	Wire & Cable

Configuration Features

Keying	AA
PCB Mount Orientation	Vertical
Number of Positions	20
Number of Rows	2
Panel Gasket	Without

Electrical Characteristics

Operating Voltage	954 VDC
-------------------	---------

Body Features

Plating Material	Nickel
------------------	--------

Contact Features

Contact Type	Pin
Wire Contact Termination Area Plating Material	Gold
Contact Mating Area Plating Material	Gold
Contact Retention Within Housing	With
Contact Current Rating (Max)	5 A

Termination Features

Termination Method to Wire & Cable	Crimp
------------------------------------	-------

Mechanical Attachment

Mating Hardware	Quick Disconnect
Flange	Without
Mating Alignment	With
Mating Alignment Type	Keyed
Mating Retention	With
Mating Retention Type	Jackscrew
Connector Mounting Type	Fixing Screw

Housing Features

Centerline (Pitch)	2.54 mm[.1 in]
--------------------	----------------

Dimensions

Row-to-Row Spacing	2.54 mm[.1 in]
--------------------	----------------

Usage Conditions

Operating Temperature Range	-65 – 125 °C[-85 – 257 °F]
-----------------------------	----------------------------

Operation/Application

Option	With Cable Clamp and With Ears On Shell
Shielded	Yes
Circuit Application	Power & Signal

Industry Standards

UL Flammability Rating	UL 94V-0
------------------------	----------

Product Compliance



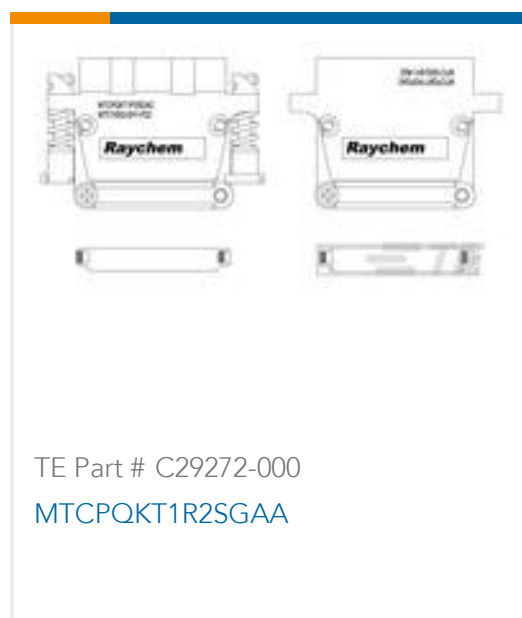
[For compliance documentation, visit the product page on TE.com>](#)

EU RoHS Directive 2011/65/EU	Compliant
EU ELV Directive 2000/53/EC	Compliant
China RoHS 2 Directive MIIT Order No 32, 2016	No Restricted Materials Above Threshold
EU REACH Regulation (EC) No. 1907/2006	Current ECHA Candidate List: JAN 2021 (211) Candidate List Declared Against: JAN 2021 (211) Does not contain REACH SVHC
Halogen Content	Not Yet Reviewed for halogen content
Solder Process Capability	Not applicable for solder process capability

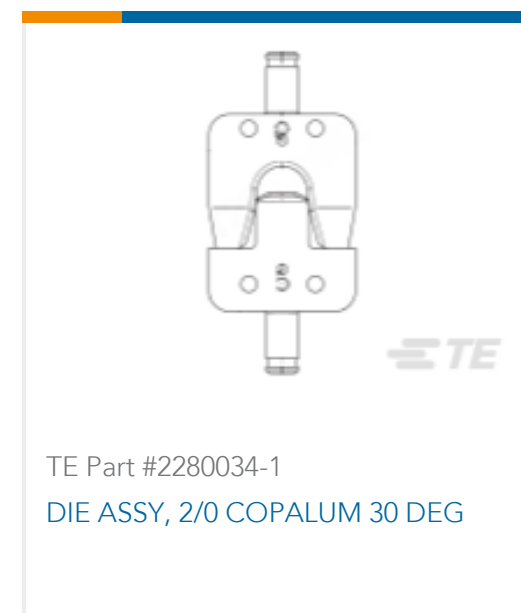
Product Compliance Disclaimer

This information is provided based on reasonable inquiry of our suppliers and represents our current actual knowledge based on the information they provided. This information is subject to change. The part numbers that TE has identified as EU RoHS compliant have a maximum concentration of 0.1% by weight in homogenous materials for lead, hexavalent chromium, mercury, PBB, PBDE, DBP, BBP, DEHP, DIBP, and 0.01% for cadmium, or qualify for an exemption to these limits as defined in the Annexes of Directive 2011/65/EU (RoHS2). Finished electrical and electronic equipment products will be CE marked as required by Directive 2011/65/EU. Components may not be CE marked. Additionally, the part numbers that TE has identified as EU ELV compliant have a maximum concentration of 0.1% by weight in homogenous materials for lead, hexavalent chromium, and mercury, and 0.01% for cadmium, or qualify for an exemption to these limits as defined in the Annexes of Directive 2000/53/EC (ELV). Regarding the REACH Regulation, the information TE provides on SVHC in articles for this part number is based on the latest European Chemicals Agency (ECHA) 'Guidance on requirements for substances in articles' posted at this URL: <https://echa.europa.eu/guidance-documents/guidance-on-reach>

Compatible Parts



Customers Also Bought

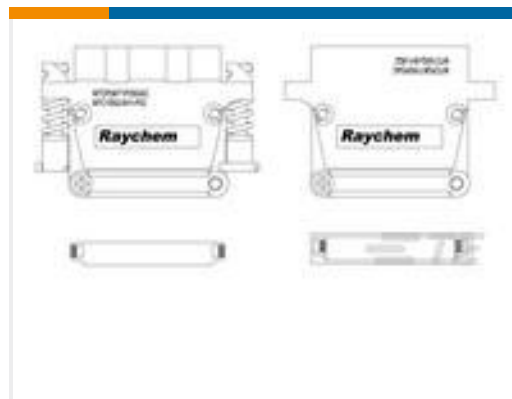




TE Part #615669-000
D-609-07CS2717



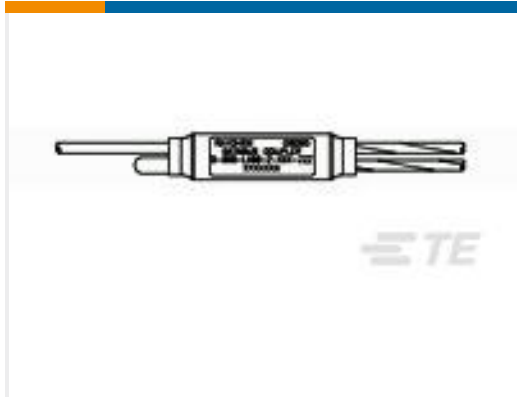
TE Part #ZPF000000000037216
983-6SE 24-30 S6 L



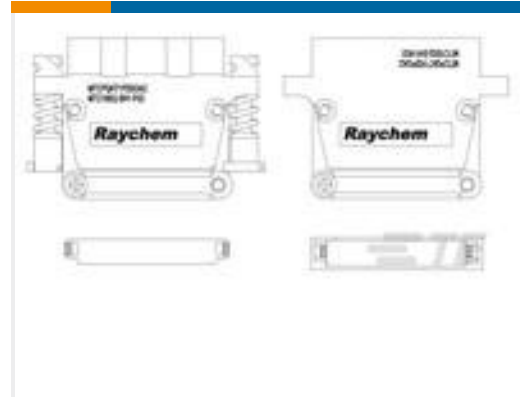
TE Part #CN1338-000
MTCPQKT1R2SGCA



TE Part #CW0499-000
D-500-L458-2-4Y3-120



TE Part #CZ7561-000
D-500-L458-2-614-240



TE Part #D49626-000
MTCPQKT1P2PGCA

Documents

Product Drawings

MTCPQKT1P2PGAA

English

CAD Files

3D PDF

3D

Customer View Model

[ENG_CVM_CVM_A75131-000_R.2d_dxf.zip](#)

English

Customer View Model

[ENG_CVM_CVM_A75131-000_R.3d_igs.zip](#)

English

Customer View Model

[ENG_CVM_CVM_A75131-000_R.3d_stp.zip](#)

English

By downloading the CAD file I accept and agree to the [Terms and Conditions](#) of use.

Datasheets & Catalog Pages

Products for Aerospace and Defense

English

Product Specifications

MTC Quick-Disconnect Connectors with Removable Contacts

English