

1055091-1 ✓ ACTIVE

[AMP](#) | [AMP SMA](#)

TE Internal #: 1055091-1

AMP SMA, In-Series Adapters, SMA, Right Angle, Beryllium Copper, Gold, 50 Ω , Cable-to-Cable, 1 Position, Wire & Cable, Signal

[View on TE.com >](#)



[Connectors](#) > [RF Coax Connectors](#) > [RF Adapters](#) > [In-Series Adapters](#)



RF Connector Type: **SMA**

Body Angle: **Right Angle**

RF Connector Center Contact Material: **Beryllium Copper**

RF Connector Center Contact Plating Material: **Gold**

Impedance: **50 Ω**

Features

Product Type Features

Isolated Ground	No
RF Connector Type	SMA
Connector System	Cable-to-Cable
Connector & Contact Terminates To	Wire & Cable

Configuration Features

Number of Positions	1
---------------------	---

Electrical Characteristics

Impedance	50 Ω
-----------	-------------

Signal Characteristics

Frequency	12.4 GHz
-----------	----------

Body Features

Body Insulation	Without
Body Plating Finish	Passivated
Body Material	Stainless Steel
Hermetically Sealed	No
Body Angle	Right Angle

Contact Features

RF Connector Center Contact Material	Beryllium Copper
--------------------------------------	------------------



RF Connector Center Contact Plating Material	Gold
--	------

Mechanical Attachment

Coupling Nut Material	Stainless Steel
Connector Mounting Type	Cable Mount (Free-Hanging)

Usage Conditions

Operating Temperature Range	-65 – 125 °C[-85 – 257 °F]
-----------------------------	----------------------------

Operation/Application

Circuit Application	Signal
---------------------	--------

Packaging Features

Packaging Method	Package
------------------	---------

Other

Gasket Material	Silicone Rubber
Dielectric Material	PTFE Fluorocarbon

Product Compliance

[For compliance documentation, visit the product page on TE.com>](#)

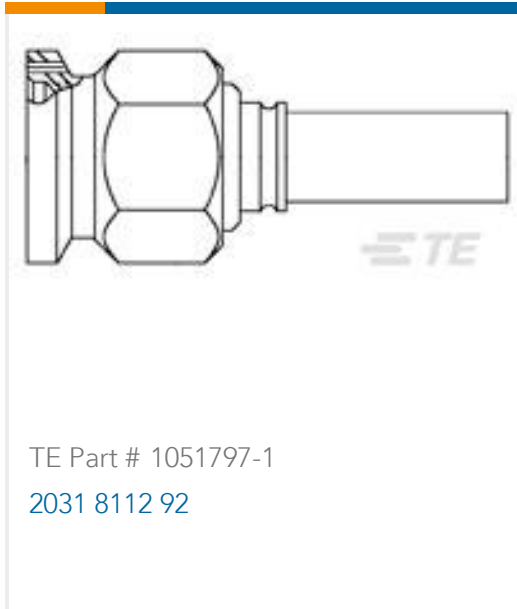
EU RoHS Directive 2011/65/EU	Compliant with Exemptions
EU ELV Directive 2000/53/EC	Compliant with Exemptions
China RoHS 2 Directive MIIT Order No 32, 2016	Restricted Materials Above Threshold
EU REACH Regulation (EC) No. 1907/2006	Current ECHA Candidate List: JAN 2021 (211) Candidate List Declared Against: JUL 2019 (201) SVHC > Threshold: Pb (.6% in base metal) Article Safe Usage Statements: Do not eat, drink or smoke when using this product. Wash thoroughly after handling. Recycle if possible and dispose of the article by following all applicable governmental regulations relevant to your geographic location.
Halogen Content	Low Bromine/Chlorine - Br and Cl < 900 ppm per homogenous material. Also BFR /CFR/PVC Free
Solder Process Capability	Not applicable for solder process capability

Product Compliance Disclaimer

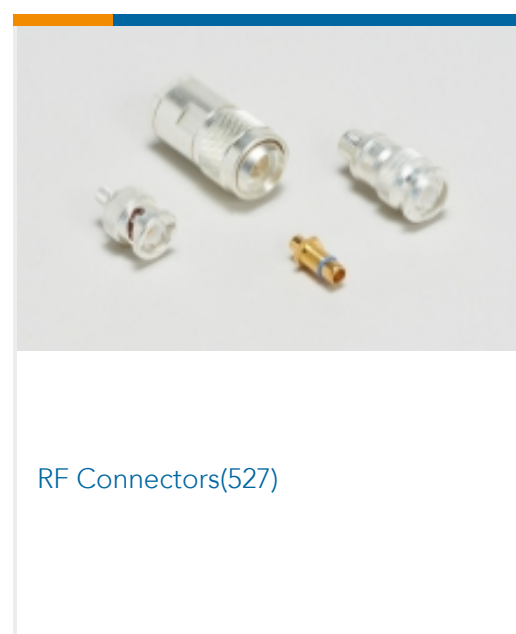
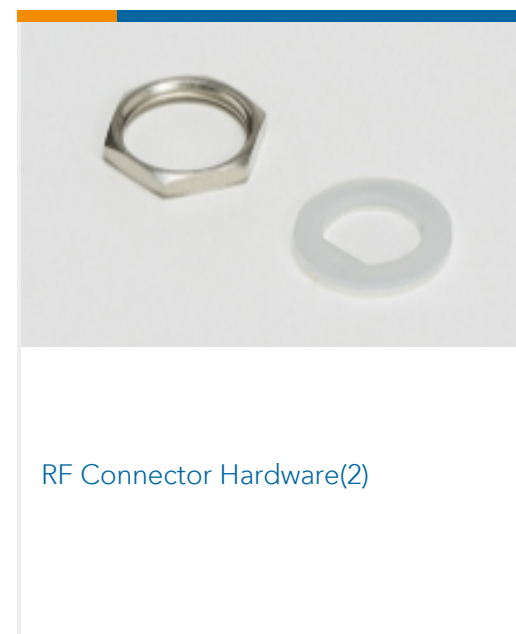
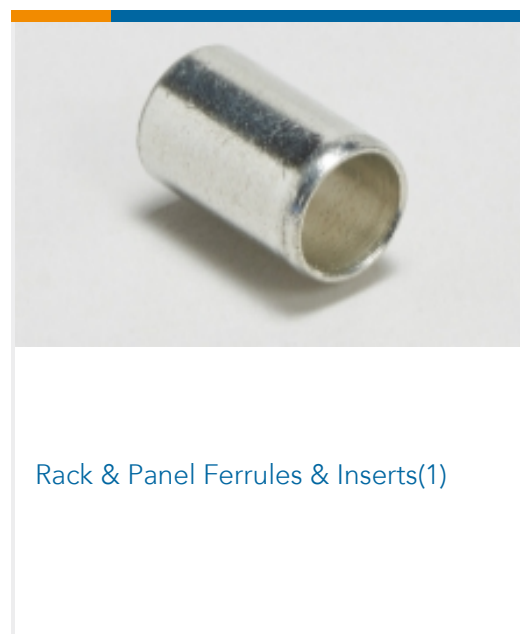
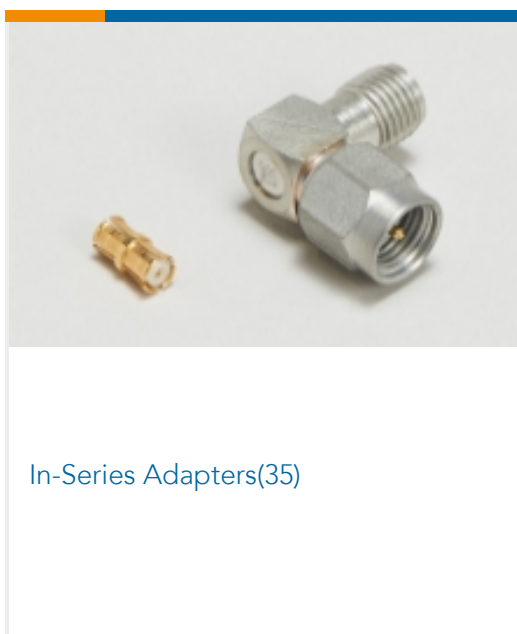
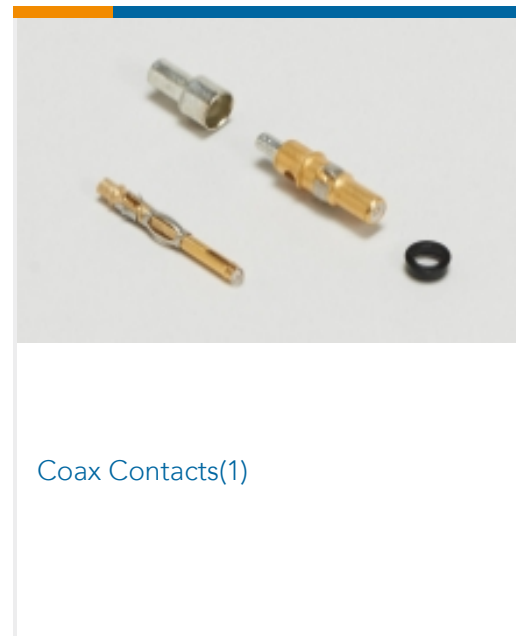
This information is provided based on reasonable inquiry of our suppliers and represents our current actual knowledge based on the information they provided. This information is subject to change. The part numbers that TE has identified as EU RoHS compliant have a maximum concentration of 0.1% by weight in homogenous materials for lead, hexavalent chromium, mercury, PBB, PBDE, DBP, BBP, DEHP, DIBP, and 0.01% for cadmium, or qualify for an exemption to these limits as defined in the Annexes of Directive 2011/65/EU (RoHS2). Finished electrical and electronic equipment products

will be CE marked as required by Directive 2011/65/EU. Components may not be CE marked. Additionally, the part numbers that TE has identified as EU ELV compliant have a maximum concentration of 0.1% by weight in homogenous materials for lead, hexavalent chromium, and mercury, and 0.01% for cadmium, or qualify for an exemption to these limits as defined in the Annexes of Directive 2000/53/EC (ELV). Regarding the REACH Regulation, the information TE provides on SVHC in articles for this part number is based on the latest European Chemicals Agency (ECHA) 'Guidance on requirements for substances in articles' posted at this URL: <https://echa.europa.eu/guidance-documents/guidance-on-reach>

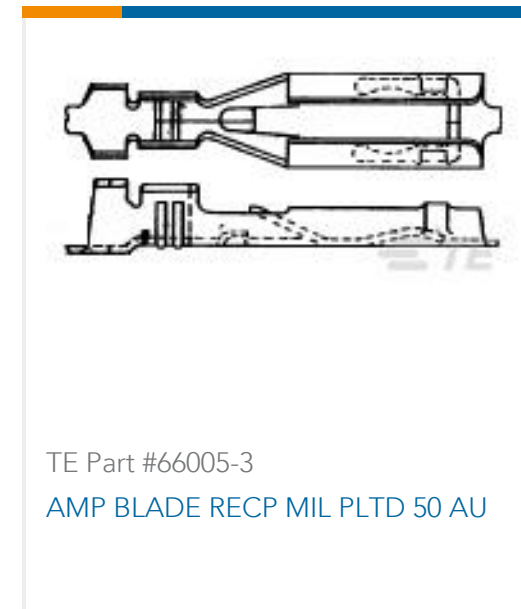
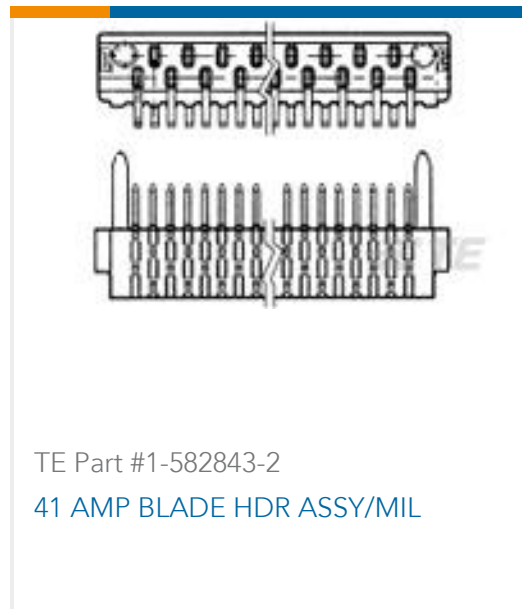
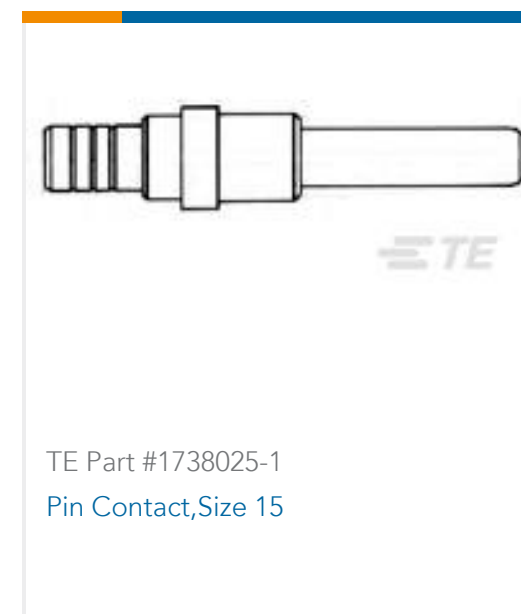
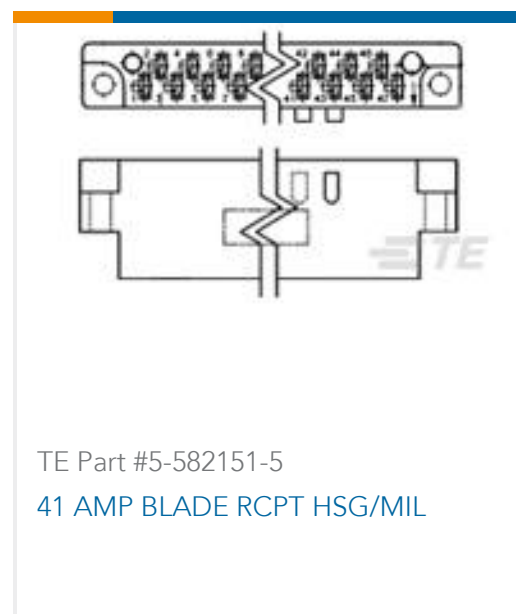
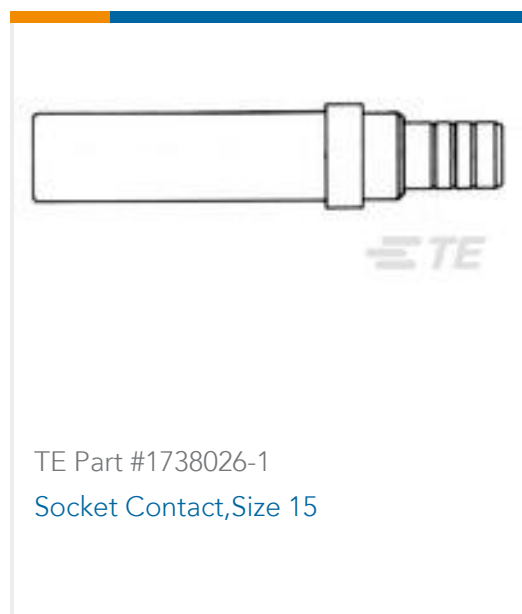
Compatible Parts



Also in the Series | AMP SMA



Customers Also Bought



Documents

Product Drawings

[SMA Jack-Plug R/A Adapter 2088 8001 92](#)

English

CAD Files

[3D PDF](#)

3D

Customer View Model

[ENG_CVM_CVM_1055091-1_G.2d_dxf.zip](#)

English

Customer View Model

[ENG_CVM_CVM_1055091-1_G.3d_igs.zip](#)

English

Customer View Model

[ENG_CVM_CVM_1055091-1_G.3d_stp.zip](#)

English

By downloading the CAD file I accept and agree to the [Terms and Conditions](#) of use.

Datasheets & Catalog Pages



[Products for Aerospace and Defense](#)

English