

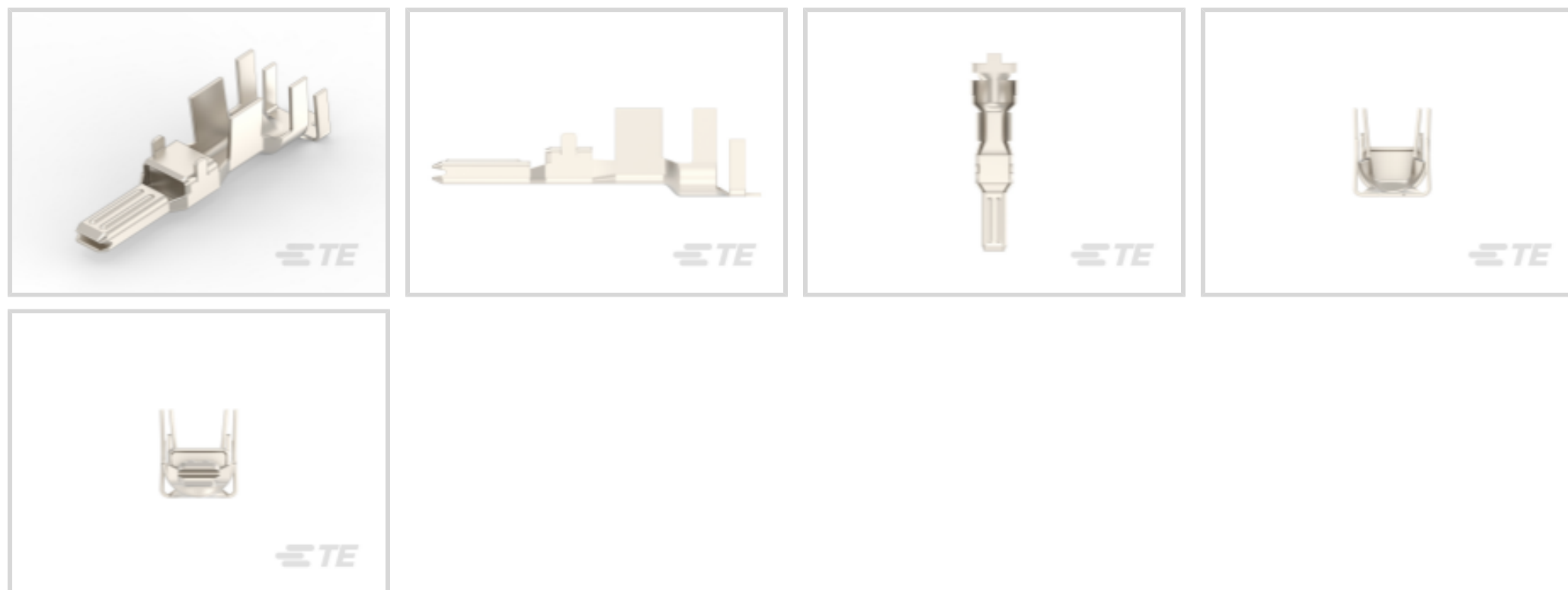


Power Triple Lock

TE Internal #: 1971780-1

TE Internal Description: PTL TAB CONTACT, 12 AWG

[View on TE.com >](#)



Product Compliance

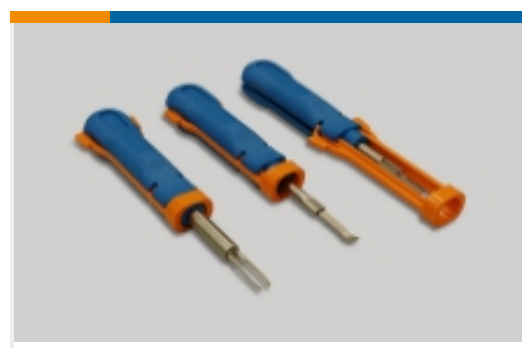
[For compliance documentation, visit the product page on TE.com>](#)

EU RoHS Directive 2011/65/EU	Compliant
EU ELV Directive 2000/53/EC	Compliant
China RoHS 2 Directive MIIT Order No 32, 2016	No Restricted Materials Above Threshold
EU REACH Regulation (EC) No. 1907/2006	Current ECHA Candidate List: JAN 2021 (211) Candidate List Declared Against: JAN 2020 (205) SVHC > Threshold: Not Yet Reviewed
Halogen Content	Low Halogen - Br, Cl, F, I < 900 ppm per homogenous material. Also BFR/CFR/PVC Free
Solder Process Capability	Not reviewed for solder process capability

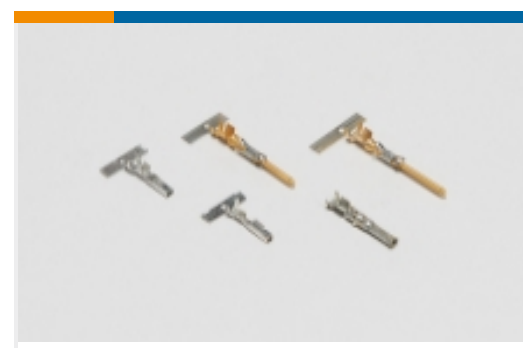
Product Compliance Disclaimer

This information is provided based on reasonable inquiry of our suppliers and represents our current actual knowledge based on the information they provided. This information is subject to change. The part numbers that TE has identified as EU RoHS compliant have a maximum concentration of 0.1% by weight in homogenous materials for lead, hexavalent chromium, mercury, PBB, PBDE, DBP, BBP, DEHP, DIBP, and 0.01% for cadmium, or qualify for an exemption to these limits as defined in the Annexes of Directive 2011/65/EU (RoHS2). Finished electrical and electronic equipment products will be CE marked as required by Directive 2011/65/EU. Components may not be CE marked. Additionally, the part numbers that TE has identified as EU ELV compliant have a maximum concentration of 0.1% by weight in homogenous materials for lead, hexavalent chromium, and mercury, and 0.01% for cadmium, or qualify for an exemption to these limits as defined in the Annexes of Directive 2000/53/EC (ELV). Regarding the REACH Regulation, the information TE provides on SVHC in articles for this part number is based on the latest European Chemicals Agency (ECHA) 'Guidance on requirements for substances in articles' posted at this URL: <https://echa.europa.eu/guidance-documents/guidance-on-reach>

Also in the Series | Power Triple Lock



Insertion & Extraction Tools(1)



Power Contacts(20)



Rectangular Connector Locking(12)



Rectangular Power Connectors(296)

Customers Also Bought



TE Part #1735482-2
Free Height Receptacle Conn: Board-Board, Vertical, 60, 0.8mm



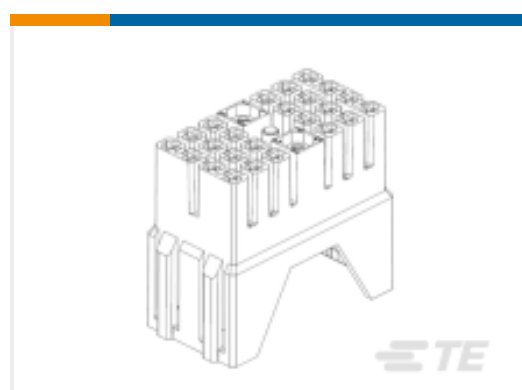
TE Part #3-1630027-2
Power Resistors: Aluminum Housed, HSC



TE Part #926895-7
UNIVERSAL M-N-L SOCKET



TE Part #1614770-4
Resistor Power BDS2A250



TE Part #284874-1
24 POS PLUG HOUSING ASS'Y



TE Part #4-1393243-2
RT423024



TE Part #55992-1
AMPOWER TERMINAL 2 STUD HOLES



TE Part #1241390-2
AMP MCP, RECEPTACLE AND TAB



TE Part #ASA158F12390235000
623 PLUG



TE Part #ZPF000000000205378
CONTACT MALE ANG.90, CAL20, 120MM2 - FXP

Documents

CAD Files

3D PDF

3D

Customer View Model

[ENG_CVM_CVM_1971780-1_D.2d_dxf.zip](#)

English

Customer View Model

[ENG_CVM_CVM_1971780-1_D.3d_igs.zip](#)



English

Customer View Model

[ENG_CVM_CVM_1971780-1_D.3d_stp.zip](#)

English

By downloading the CAD file I accept and agree to the [Terms and Conditions](#) of use.

Datasheets & Catalog Pages

[1-1773734-9 TE Power Triple Lock Quick Reference Guide - German](#)

German

[9-1773465-1 Power Triple Lock QRG](#)

English

Product Specifications

[Application Specification](#)

English

Product Environmental Compliance

[TE Material Declaration](#)

English

Instruction Sheets

[Instruction Sheet \(U.S.\)](#)

English