

3-353294-0 ✓ ACTIVE

AMP Mini CT

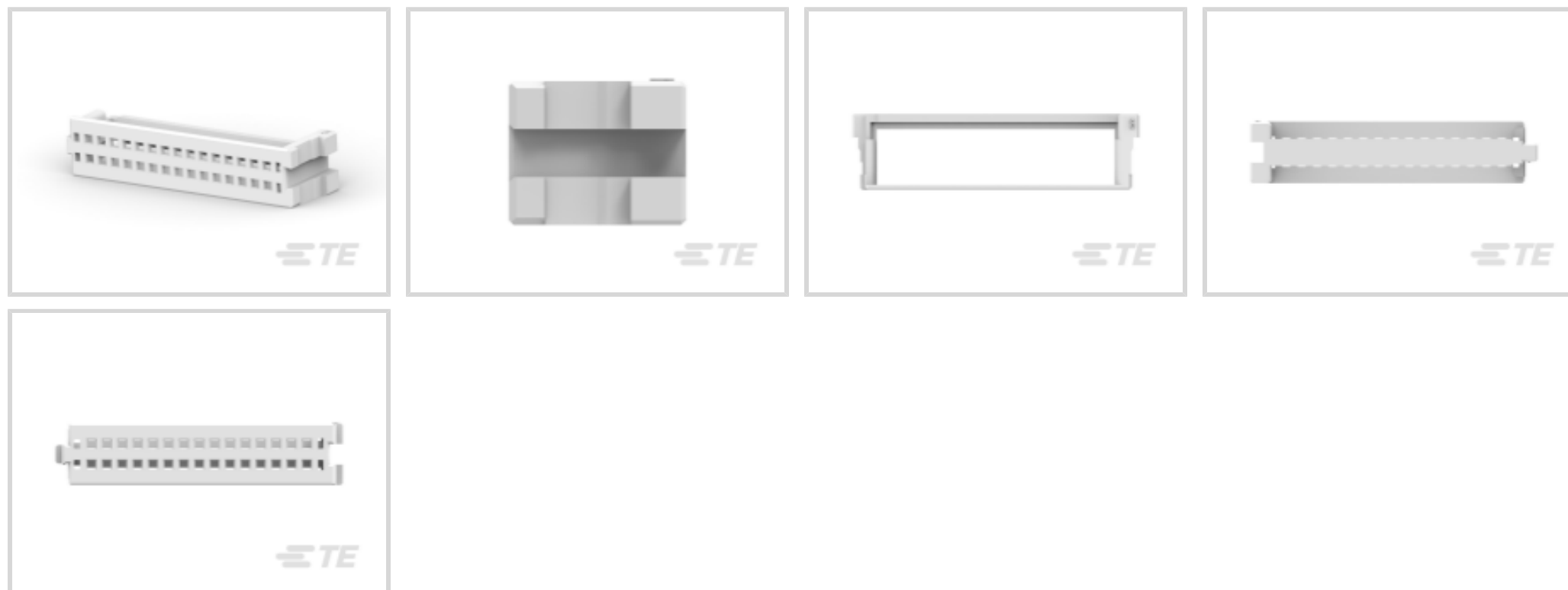
TE Internal #: 3-353294-0

AMP Mini CT, PCB Connector Mounting, Holder, 30 Position, 1.5 mm [.059in] Centerline, Natural, Operating Temperature Range -30 – 105 °C [-22 – 221 °F]

[View on TE.com >](#)



Connectors > PCB Connectors > PCB Connector Accessories > PCB Connector Hardware > Mounting



Connector Mounting Accessory Type: **Holder**

Number of Positions: **30**

Centerline (Pitch): **1.5 mm [.059 in]**

Primary Product Color: **Natural**

Sealable: **No**

Features

Product Type Features

Connector Mounting Accessory Type	Holder
Sealable	No

Configuration Features

Number of Positions	30
---------------------	----

Body Features

Primary Product Color	Natural
-----------------------	---------

Housing Features

Centerline (Pitch)	1.5 mm [.059 in]
--------------------	------------------

Usage Conditions

Operating Temperature Range	-30 – 105 °C [-22 – 221 °F]
-----------------------------	-----------------------------

Industry Standards

UL Flammability Rating	UL 94V-0
------------------------	----------

Packaging Features



Packaging Quantity	500
Packaging Method	Bag

Product Compliance

[For compliance documentation, visit the product page on TE.com>](#)

EU RoHS Directive 2011/65/EU	Compliant
EU ELV Directive 2000/53/EC	Compliant
China RoHS 2 Directive MIIT Order No 32, 2016	No Restricted Materials Above Threshold
EU REACH Regulation (EC) No. 1907/2006	Current ECHA Candidate List: JAN 2021 (211) Candidate List Declared Against: JAN 2021 (211) Does not contain REACH SVHC
Halogen Content	Low Halogen - Br, Cl, F, I < 900 ppm per homogenous material. Also BFR/CFR/PVC Free
Solder Process Capability	Not applicable for solder process capability

Product Compliance Disclaimer

This information is provided based on reasonable inquiry of our suppliers and represents our current actual knowledge based on the information they provided. This information is subject to change. The part numbers that TE has identified as EU RoHS compliant have a maximum concentration of 0.1% by weight in homogenous materials for lead, hexavalent chromium, mercury, PBB, PBDE, DBP, BBP, DEHP, DIBP, and 0.01% for cadmium, or qualify for an exemption to these limits as defined in the Annexes of Directive 2011/65/EU (RoHS2). Finished electrical and electronic equipment products will be CE marked as required by Directive 2011/65/EU. Components may not be CE marked. Additionally, the part numbers that TE has identified as EU ELV compliant have a maximum concentration of 0.1% by weight in homogenous materials for lead, hexavalent chromium, and mercury, and 0.01% for cadmium, or qualify for an exemption to these limits as defined in the Annexes of Directive 2000/53/EC (ELV). Regarding the REACH Regulation, the information TE provides on SVHC in articles for this part number is based on the latest European Chemicals Agency (ECHA) 'Guidance on requirements for substances in articles' posted at this URL: <https://echa.europa.eu/guidance-documents/guidance-on-reach>

Compatible Parts



TE Part # CAT-AM7053-H342
MINI COMMON TERMINATION HEADERS



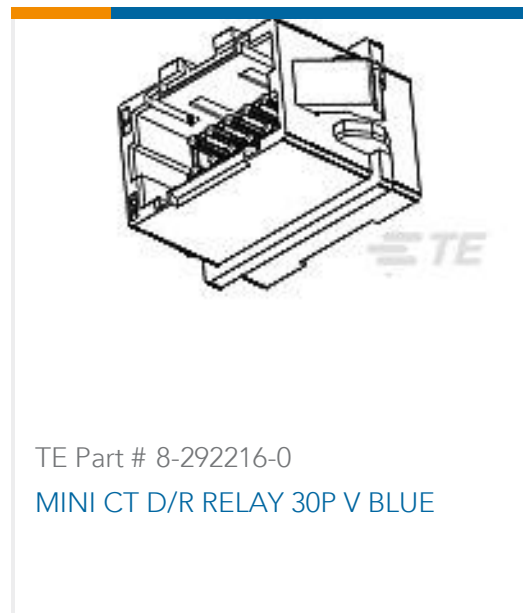
TE Part # 1-353293-3
MINI CT MT REC ASSY 13P GRAY



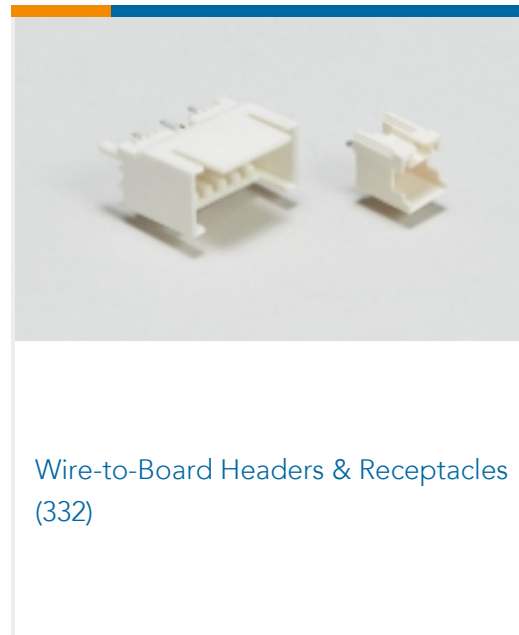
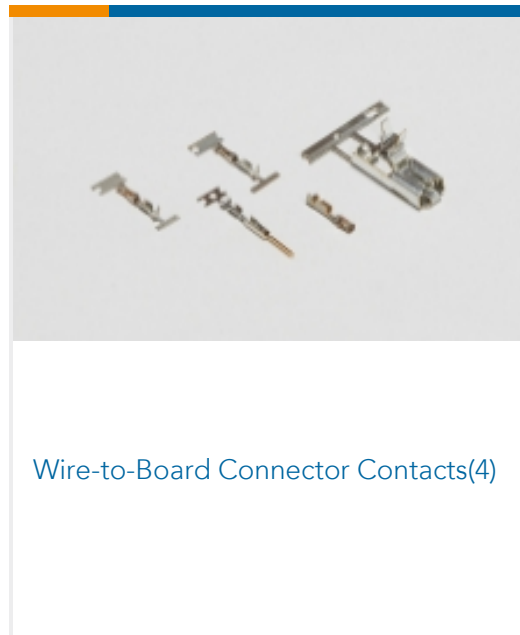
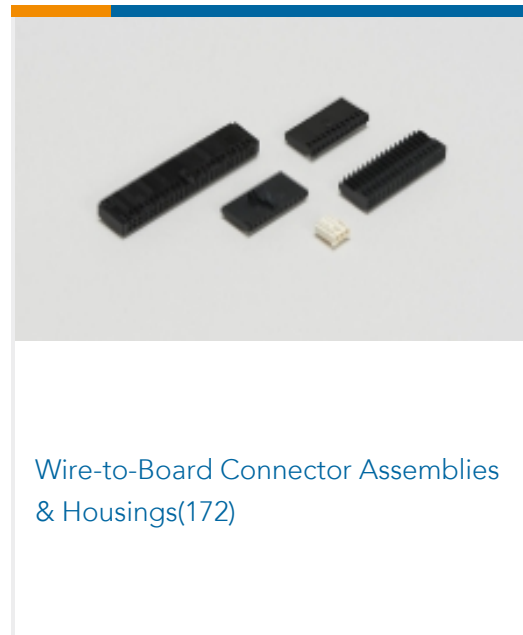
TE Part # 1-353293-5
1.5 MINI-CT RECEPTACLE



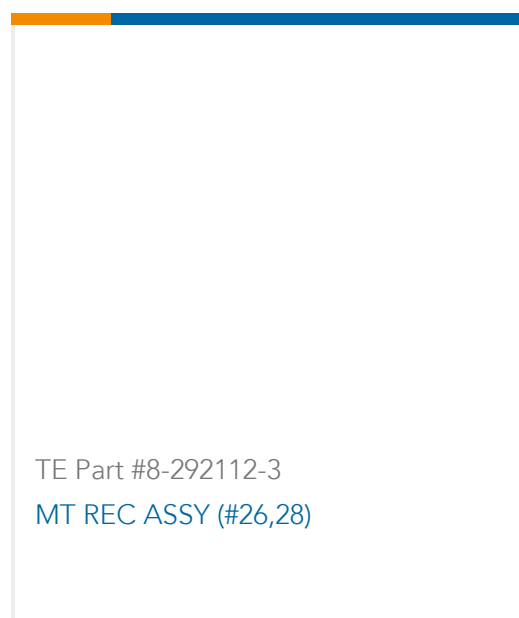
TE Part # CAT-AM7053-C7671
MINI COMMON TERMINATION CONTACTS



Also in the Series | AMP Mini CT



Customers Also Bought



Documents

Product Drawings

AMP MINI D/R HDR HSG 30P NATU

English

CAD Files

3D PDF

English



Customer View Model

[ENG_CVM_3-353294-0_E.3d_igs.zip](#)

English

Customer View Model

[ENG_CVM_3-353294-0_E.3d_stp.zip](#)

English

Customer View Model

[ENG_CVM_3-353294-0_E.2d_dxf.zip](#)

English

By downloading the CAD file I accept and agree to the [Terms and Conditions](#) of use.

Datasheets & Catalog Pages

[6-1773454-5_AMP_Mini_CT_Connector_Series_QRG](#)

English

Product Specifications

[Application Specification](#)

English

Product Environmental Compliance

[MD_3-353294-0_04202016332_dmtec](#)

English

[MD_3-353294-0_04202016332_dmtec](#)

English