



### Product Compliance

[For compliance documentation, visit the product page on TE.com>](#)

EU RoHS Directive 2011/65/EU	Compliant
EU ELV Directive 2000/53/EC	Compliant
China RoHS 2 Directive MIIT Order No 32, 2016	No Restricted Materials Above Threshold
EU REACH Regulation (EC) No. 1907/2006	Current ECHA Candidate List: JAN 2021 (211) Candidate List Declared Against: JUL 2017 (174) SVHC > Threshold: Not Yet Reviewed
Halogen Content	Not Low Halogen - contains Br or Cl > 900 ppm.
Solder Process Capability	Not reviewed for solder process capability

#### Product Compliance Disclaimer

This information is provided based on reasonable inquiry of our suppliers and represents our current actual knowledge based on the information they provided. This information is subject to change. The part numbers that TE has identified as EU RoHS compliant have a maximum concentration of 0.1% by weight in homogenous materials for lead, hexavalent chromium, mercury, PBB, PBDE, DBP, BBP, DEHP, DIBP, and 0.01% for cadmium, or qualify for an exemption to these limits as defined in the Annexes of Directive 2011/65/EU (RoHS2). Finished electrical and electronic equipment products will be CE marked as required by Directive 2011/65/EU. Components may not be CE marked. Additionally, the part numbers that TE has identified as EU ELV compliant have a maximum concentration of 0.1% by weight in homogenous materials for lead, hexavalent chromium, and mercury, and 0.01% for cadmium, or qualify for an exemption to these limits as defined in the Annexes of Directive 2000/53/EC (ELV). Regarding the REACH Regulations, TE's information on SVHC in articles for this part number is still based on the European Chemical Agency (ECHA) 'Guidance on requirements for substances in articles' (Version: 2, April 2011), applying the 0.1% weight on weight concentration threshold at the finished product level. TE is aware of the European Court of Justice ruling of September 10th, 2015 also known as O5A (Once An Article Always An Article) stating that, in case of 'complex object', the threshold for a SVHC must be applied to both the product as a whole and simultaneously to each of the articles forming part of its composition. TE has evaluated this ruling based on the new ECHA "Guidance on requirements for substances in articles" (June 2017, version 4.0) and will be updating its statements accordingly.

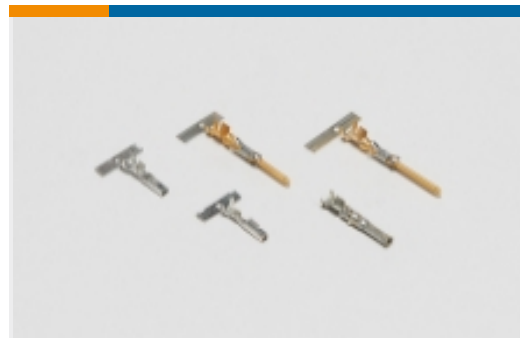
## Also in the Series | Micro MATE-N-LOK



Connector Contacts(1)



Insertion & Extraction Tools(1)



Power Contacts(26)

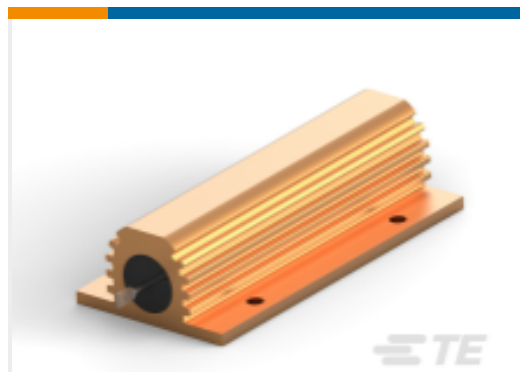


Rectangular Power Connectors(712)

## Customers Also Bought



TE Part #1735482-2  
Free Height Receptacle Conn: Board-Board, Vertical, 60, 0.8mm



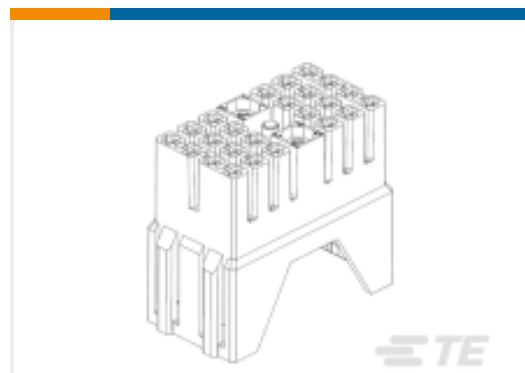
TE Part #3-1630027-2  
Power Resistors: Aluminum Housed, HSC



TE Part #926895-7  
UNIVERSAL M-N-L SOCKET



TE Part #1614770-4  
Resistor Power BDS2A250



TE Part #284874-1  
24 POS PLUG HOUSING ASS'Y



TE Part #4-1393243-2  
RT423024



TE Part #55992-1  
AMPOWER TERMINAL 2 STUD HOLES



TE Part #1241390-2  
AMP MCP, RECEPTACLE AND TAB



TE Part #ASA158F12390235000  
623 PLUG



TE Part #ZPF000000000205388  
CONTACT FEMALE CAL.20, M12 - FXP

## Documents

### Product Drawings

PANEL MT DBL ROW HSG 2 POS

English

### Product Specifications

Application Specification

English



[Agency Approvals](#)

[UL Report](#)

English