

641414-1 x OBSOLETE

[Power Blade Products](#)

TE Internal #: 641414-1

TE Internal Description: 18P TIMER CONN HSG R/H NATL

[View on TE.com >](#)



Product Compliance

[For compliance documentation, visit the product page on TE.com>](#)

EU RoHS Directive 2011/65/EU	Compliant
EU ELV Directive 2000/53/EC	Compliant
China RoHS 2 Directive MIIT Order No 32, 2016	No Restricted Materials Above Threshold
EU REACH Regulation (EC) No. 1907/2006	Current ECHA Candidate List: JAN 2021 (211) Candidate List Declared Against: JAN 2018 (181) SVHC > Threshold: Not Yet Reviewed
Halogen Content	Low Halogen - Br, Cl, F, I < 900 ppm per homogenous material. Also BFR/CFR/PVC Free
Solder Process Capability	Not applicable for solder process capability

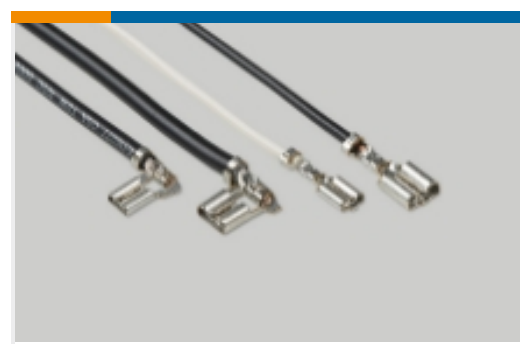
Product Compliance Disclaimer

This information is provided based on reasonable inquiry of our suppliers and represents our current actual knowledge based on the information they provided. This information is subject to change. The part numbers that TE has identified as EU RoHS compliant have a maximum concentration of 0.1% by weight in homogenous materials for lead, hexavalent chromium, mercury, PBB, PBDE, DBP, BBP, DEHP, DIBP, and 0.01% for cadmium, or qualify for an exemption to these limits as defined in the Annexes of Directive 2011/65/EU (RoHS2). Finished electrical and electronic equipment products will be CE marked as required by Directive 2011/65/EU. Components may not be CE marked. Additionally, the part numbers that TE has identified as EU ELV compliant have a maximum concentration of 0.1% by weight in homogenous materials for lead, hexavalent chromium, and mercury, and 0.01% for cadmium, or qualify for an exemption to these limits as defined in the Annexes of Directive 2000/53/EC (ELV). Regarding the REACH Regulations, TE's information on SVHC in articles for this part number is still based on the European Chemical Agency (ECHA) 'Guidance on requirements for substances in articles' (Version: 2, April 2011), applying the 0.1% weight on weight concentration threshold at the finished product level. TE is aware of the European Court of Justice ruling of September 10th, 2015 also known as O5A (Once An Article Always An Article) stating that, in case of 'complex object', the threshold for a SVHC must be applied to both the product as a whole and simultaneously to each of the articles forming part of its composition. TE has evaluated this ruling based on the new ECHA "Guidance on requirements for substances in articles" (June 2017, version 4.0) and will be updating its statements accordingly.

Also in the Series | [Power Blade Products](#)

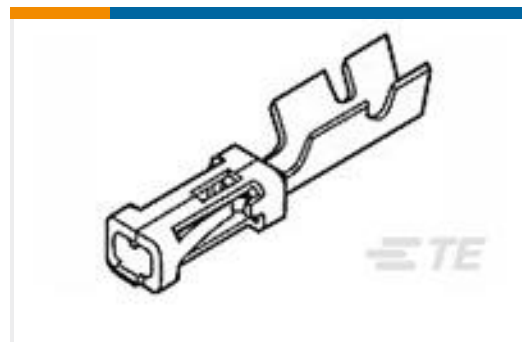


PCB Terminals(1)



Quick Disconnects(1)

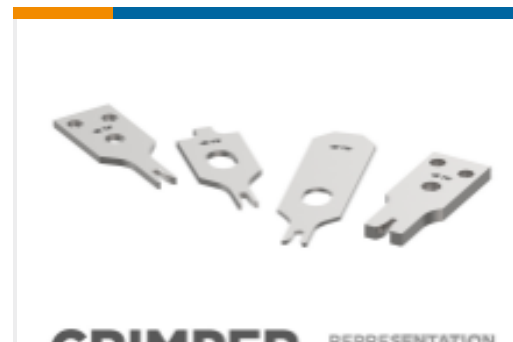
Customers Also Bought



TE Part #7-87522-2
MOD IV RECP PLTD 30 DPLX LF



TE Part #1703061-2
PLUG, 2 CIRCUIT, UNIVERSAL MATE-N-LOK



TE Part #1803208-5
CRIMPER, INSUL OVERLAP PREM



TE Part #2151582-1
OCEAN_2.0_Applicator-S-110F1650



TE Part #2151757-1
OC-AT-S-FM-100F155F-001-0331



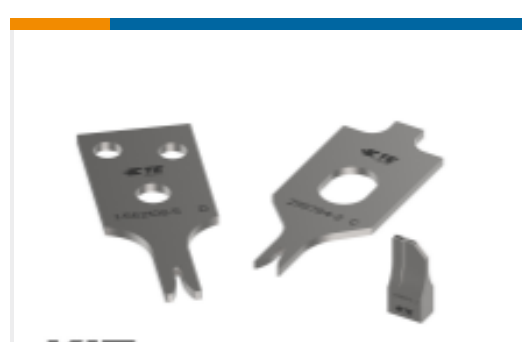
TE Part #215882-6
AMP-LATCH MIL TYPE RCPT CONNECTOR



TE Part #2836077-1
OCEAN_2.0_Applicator-S-070F1000



TE Part #7-2150373-7
OCEAN-055F080F-CRIMPTOOLINGKIT



TE Part #7-2266813-7
OCEAN_2.0_SPARE_PART_KIT-055F062F



TE Part #964976-7
MODU2MM BU-GEH 2X7P

Documents

Product Drawings

18P TIMER CONN HSG R/H NATL

English

CAD Files

3D PDF

3D

Customer View Model

ENG_CVM_CVM_641414-1_Y.2d_dxf.zip



English

Customer View Model

[ENG_CVM_CVM_641414-1_Y.3d_igs.zip](#)

English

Customer View Model

[ENG_CVM_CVM_641414-1_Y.3d_stp.zip](#)

English

By downloading the CAD file I accept and agree to the [Terms and Conditions](#) of use.

Product Specifications

[Application Specification](#)

English