



AMPLIMITE | AMPLIMITE Kit

TE Internal #: 745508-2

AMPLIMITE Kit, D-Sub Backshells & Clamps, Ferrule, Split-Ring, Compatible With Connector Shell Size 1, Shielded

[View on TE.com >](#)

Connectors > D-Shaped Connectors > D-Sub Accessories > D-Sub Backshells & Clamps



D-Shaped Connector Accessories: **Ferrule**

Ferrule Type: **Split-Ring**

Compatible With Connector Shell Size: **1**

Shielded: **Yes**

Features

Product Type Features

Product Type	Accessory
D-Shaped Connector Accessories	Ferrule

Body Features

Ferrule Type	Split-Ring
--------------	------------

Operation/Application

Compatible With Connector Shell Size	1
Shielded	Yes

Packaging Features

Packaging Quantity	1
Packaging Method	Package

Product Compliance

[For compliance documentation, visit the product page on TE.com>](#)

EU RoHS Directive 2011/65/EU	Compliant
EU ELV Directive 2000/53/EC	Compliant

China RoHS 2 Directive MIIT Order No 32, 2016

No Restricted Materials Above Threshold

EU REACH Regulation (EC) No. 1907/2006

Current ECHA Candidate List: JAN 2021 (211)

Candidate List Declared Against: JAN 2021 (211)

Does not contain REACH SVHC

Halogen Content

Low Halogen - Br, Cl, F, I < 900 ppm per homogenous material. Also BFR/CFR/PVC Free

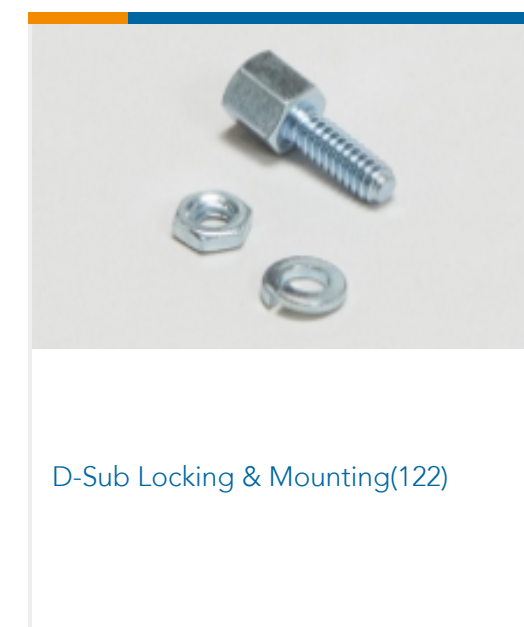
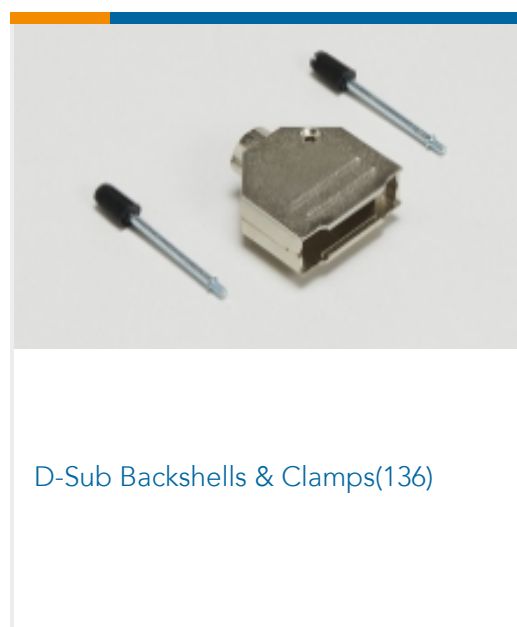
Solder Process Capability

Not applicable for solder process capability

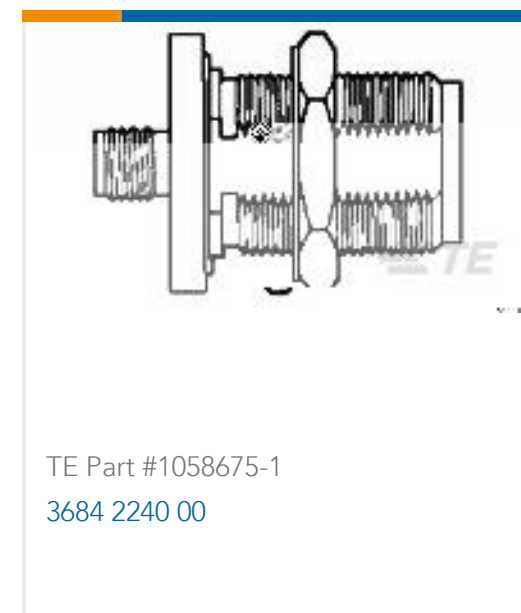
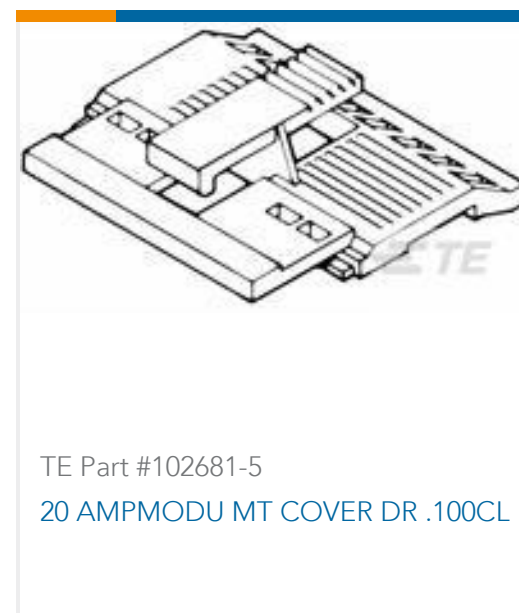
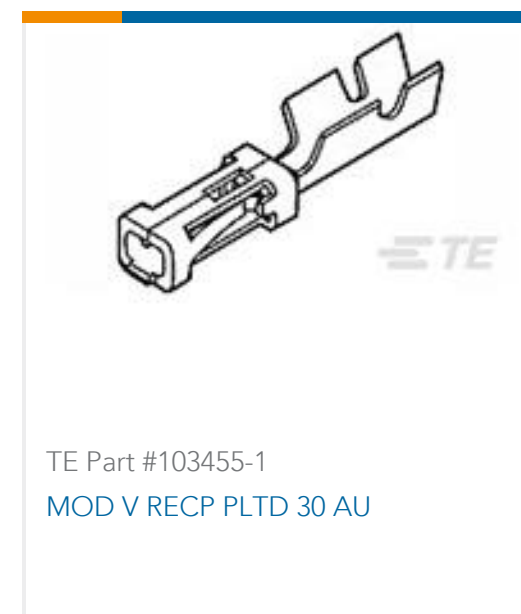
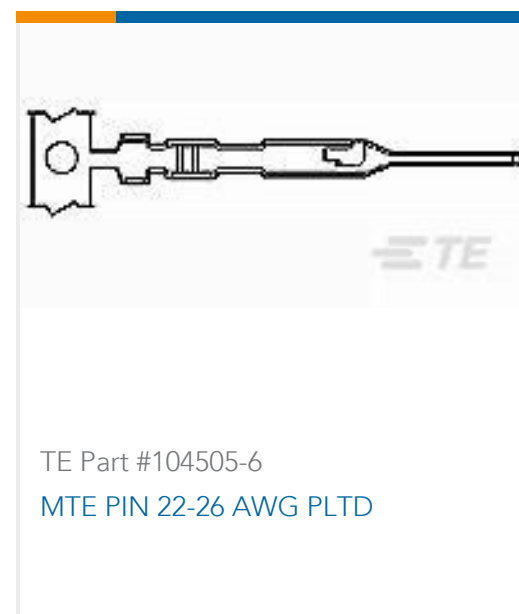
Product Compliance Disclaimer

This information is provided based on reasonable inquiry of our suppliers and represents our current actual knowledge based on the information they provided. This information is subject to change. The part numbers that TE has identified as EU RoHS compliant have a maximum concentration of 0.1% by weight in homogenous materials for lead, hexavalent chromium, mercury, PBB, PBDE, DBP, BBP, DEHP, DIBP, and 0.01% for cadmium, or qualify for an exemption to these limits as defined in the Annexes of Directive 2011/65/EU (RoHS2). Finished electrical and electronic equipment products will be CE marked as required by Directive 2011/65/EU. Components may not be CE marked. Additionally, the part numbers that TE has identified as EU ELV compliant have a maximum concentration of 0.1% by weight in homogenous materials for lead, hexavalent chromium, and mercury, and 0.01% for cadmium, or qualify for an exemption to these limits as defined in the Annexes of Directive 2000/53/EC (ELV). Regarding the REACH Regulation, the information TE provides on SVHC in articles for this part number is based on the latest European Chemicals Agency (ECHA) 'Guidance on requirements for substances in articles' posted at this URL: <https://echa.europa.eu/guidance-documents/guidance-on-reach>

Compatible Parts

Also in the Series | **AMPLIMITE Kit**

Customers Also Bought



Documents

Product Drawings

FERRULE SPLIT RING, HD

English

CAD Files

3D PDF

3D

Customer View Model

[ENG_CVM_CVM_745508-2_B.2d_dxf.zip](#)

English

Customer View Model

[ENG_CVM_CVM_745508-2_B.3d_igs.zip](#)

English

Customer View Model

[ENG_CVM_CVM_745508-2_B.3d_stp.zip](#)

English

By downloading the CAD file I accept and agree to the [Terms and Conditions](#) of use.

Datasheets & Catalog Pages



[AMPLIMITE Subminiature D Connectors - Cable Connectors](#)

English

[AMPLIMITE Cable Connectors and Shielding Hardware Kits QRG](#)

English

[Product Environmental Compliance](#)

[MD_745508-2_07212015946_dmtec](#)

English

[MD_745508-2_07212015946_dmtec](#)

English

[Instruction Sheets](#)

[Instruction Sheet \(U.S.\)](#)

English