

770200-1 **x** OBSOLETE

Power Blade Products

TE Internal #: 770200-1

TE Internal Description: TIMER CONNECTOR 18P HSG L/H NAT

NYLON6/6

[View on TE.com >](#)



Product Compliance

[For compliance documentation, visit the product page on TE.com>](#)

EU RoHS Directive 2011/65/EU	Compliant
EU ELV Directive 2000/53/EC	Compliant
China RoHS 2 Directive MIIT Order No 32, 2016	No Restricted Materials Above Threshold
EU REACH Regulation (EC) No. 1907/2006	Current ECHA Candidate List: JAN 2021 (211) Candidate List Declared Against: JAN 2021 (211) Does not contain REACH SVHC
Halogen Content	Low Halogen - Br, Cl, F, I < 900 ppm per homogenous material. Also BFR/CFR/PVC Free
Solder Process Capability	Not applicable for solder process capability

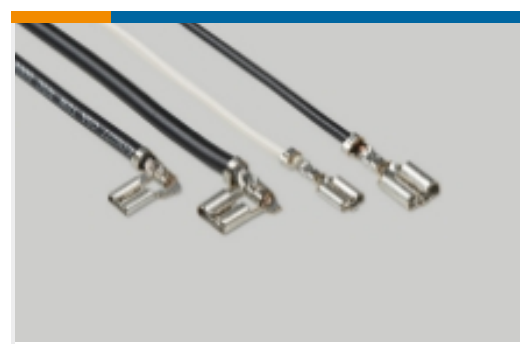
Product Compliance Disclaimer

This information is provided based on reasonable inquiry of our suppliers and represents our current actual knowledge based on the information they provided. This information is subject to change. The part numbers that TE has identified as EU RoHS compliant have a maximum concentration of 0.1% by weight in homogenous materials for lead, hexavalent chromium, mercury, PBB, PBDE, DBP, BBP, DEHP, DIBP, and 0.01% for cadmium, or qualify for an exemption to these limits as defined in the Annexes of Directive 2011/65/EU (RoHS2). Finished electrical and electronic equipment products will be CE marked as required by Directive 2011/65/EU. Components may not be CE marked. Additionally, the part numbers that TE has identified as EU ELV compliant have a maximum concentration of 0.1% by weight in homogenous materials for lead, hexavalent chromium, and mercury, and 0.01% for cadmium, or qualify for an exemption to these limits as defined in the Annexes of Directive 2000/53/EC (ELV). Regarding the REACH Regulation, the information TE provides on SVHC in articles for this part number is based on the latest European Chemicals Agency (ECHA) 'Guidance on requirements for substances in articles' posted at this URL: <https://echa.europa.eu/guidance-documents/guidance-on-reach>

Also in the Series | Power Blade Products

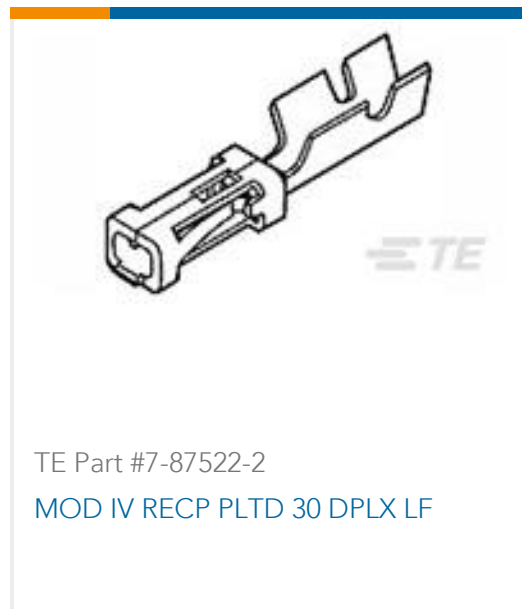


PCB Terminals(1)



Quick Disconnects(1)

Customers Also Bought



TE Part #7-87522-2
MOD IV RECP PLTD 30 DPLX LF



TE Part #1703061-2
PLUG, 2 CIRCUIT, UNIVERSAL MATE-N-LOK



TE Part #1803208-5
CRIMPER, INSUL OVERLAP PREM



TE Part #2151582-1
OCEAN_2.0_Applicator-S-110F1650



TE Part #2151757-1
OC-AT-S-FM-100F155F-001-0331



TE Part #215882-6
AMP-LATCH MIL TYPE RCPT CONNECTOR



TE Part #2836077-1
OCEAN_2.0_Applicator-S-070F1000



TE Part #7-2150373-7
OCEAN-055F080F-CRIMPTOOLINGKIT



KIT
TE Part #7-2266813-7
OCEAN_2.0_SPARE_PART_KIT-055F062F



TE Part #964976-7
MODU2MM BU-GEH 2X7P

Documents

Product Drawings

TIMER CONNECTOR 18P HSG L/H NAT NYLON6/6

English

CAD Files

3D PDF

3D

Customer View Model

ENG_CVM_CVM_770200-1_AP_c-770200-1-ap.2d_dxf.zip



English

Customer View Model

[ENG_CVM_CVM_770200-1_AP_c-770200-1-ap.3d_igs.zip](#)

English

Customer View Model

[ENG_CVM_CVM_770200-1_AP_c-770200-1-ap.3d_stp.zip](#)

English

By downloading the CAD file I accept and agree to the [Terms and Conditions](#) of use.

Product Specifications

[Application Specification](#)

English

Product Environmental Compliance

[TE Material Declaration](#)

English