

1050774-1 ✓ ACTIVE

[AMP](#) | [AMP SMA](#)

TE Internal #: 1050774-1

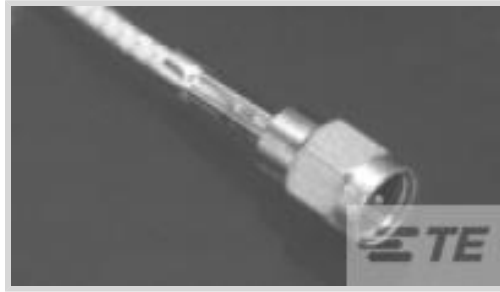
AMP SMA, RF Connectors, SMA RF Interface, Plug, RF Connector

Mated Outer Diameter (Approximate) .354 in [8.99 mm], 50 Ω

[View on TE.com >](#)



[Connectors](#) > [RF Coax Connectors](#) > [RF Connectors](#)



RF Interface: **SMA**

RF Connector Style: **Plug**

RF Connector Mated Outer Diameter (Approximate): **8.99 mm [ .354 in ]**

Impedance: **50 Ω**

Compatible With RF Cable Type: **RG 405 Semi-Rigid**

## Features

### Product Type Features

Connector Product Type	Connector Assembly
RF Interface	SMA
RF Connector Style	Plug
Compatible With RF Cable Type	RG 405 Semi-Rigid
Connector & Contact Terminates To	Wire & Cable
Connector Seal Type	Interfacial Seal

### Configuration Features

Number of Positions	1
Number of Coaxial Contacts	1

### Electrical Characteristics

Impedance	50 Ω
-----------	------

### Body Features

Cable Connector Orientation	Straight
Body Material	Stainless Steel
Body Material Finish	Plated
Body Plating Material	Gold

### Contact Features

RF Connector Center Contact Underplating Material	Copper, Nickel
---	----------------

RF Connector Center Contact Plating Material	Gold
--	------

RF Connector Center Contact Material	Beryllium Copper
--------------------------------------	------------------

### Termination Features

Termination Method to Wire & Cable	Solder
------------------------------------	--------

### Mechanical Attachment

Mating Retention Type	Safety Wire Holes
-----------------------	-------------------

RF Connector Coupling Mechanism	Threaded
---------------------------------	----------

Connector Mounting Type	Cable Mount (Free-Hanging)
-------------------------	----------------------------

RF Contact Captivation Method	Solder
-------------------------------	--------

### Dimensions

Product Length	11.18 mm[.44 in]
----------------	------------------

RF Connector Mated Outer Diameter (Approximate)	8.99 mm[.354 in]
---	------------------

### Usage Conditions

Operating Temperature Range	-65 – 105 °C[-85 – 221 °F]
-----------------------------	----------------------------

### Operation/Application

Operating Frequency	18 GHz
---------------------	--------

### Packaging Features

Packaging Method	Package
------------------	---------

### Other

Grade	Military
-------	----------

Coupling Nut Plating Finish	Passivated
-----------------------------	------------

Mounting Nut Material	Stainless Steel
-----------------------	-----------------

Coupling Nut Base Material	Stainless Steel
----------------------------	-----------------

Military Category	B
-------------------	---

Dielectric Material	PTFE
---------------------	------

### Product Compliance

[For compliance documentation, visit the product page on TE.com>](#)

EU RoHS Directive 2011/65/EU	Compliant with Exemptions
------------------------------	---------------------------

EU ELV Directive 2000/53/EC	Compliant with Exemptions
-----------------------------	---------------------------

China RoHS 2 Directive MIIT Order No 32, 2016	Restricted Materials Above Threshold
---	--------------------------------------

EU REACH Regulation (EC) No. 1907/2006	
--	--



Current ECHA Candidate List: JAN 2021  
 (211)  
 Candidate List Declared Against: JAN 2019  
 (197)  
 SVHC > Threshold:  
 Not Yet Reviewed

Halogen Content	Not Yet Reviewed for halogen content
Solder Process Capability	Not applicable for solder process capability

Product Compliance Disclaimer

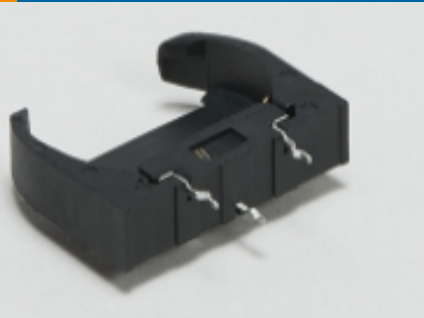
This information is provided based on reasonable inquiry of our suppliers and represents our current actual knowledge based on the information they provided. This information is subject to change. The part numbers that TE has identified as EU RoHS compliant have a maximum concentration of 0.1% by weight in homogenous materials for lead, hexavalent chromium, mercury, PBB, PBDE, DBP, BBP, DEHP, DIBP, and 0.01% for cadmium, or qualify for an exemption to these limits as defined in the Annexes of Directive 2011/65/EU (RoHS2). Finished electrical and electronic equipment products will be CE marked as required by Directive 2011/65/EU. Components may not be CE marked. Additionally, the part numbers that TE has identified as EU ELV compliant have a maximum concentration of 0.1% by weight in homogenous materials for lead, hexavalent chromium, and mercury, and 0.01% for cadmium, or qualify for an exemption to these limits as defined in the Annexes of Directive 2000/53/EC (ELV). Regarding the REACH Regulations, TE's information on SVHC in articles for this part number is still based on the European Chemical Agency (ECHA) 'Guidance on requirements for substances in articles' (Version: 2, April 2011), applying the 0.1% weight on weight concentration threshold at the finished product level. TE is aware of the European Court of Justice ruling of September 10th, 2015 also known as O5A (Once An Article Always An Article) stating that, in case of 'complex object', the threshold for a SVHC must be applied to both the product as a whole and simultaneously to each of the articles forming part of its composition. TE has evaluated this ruling based on the new ECHA "Guidance on requirements for substances in articles" (June 2017, version 4.0) and will be updating its statements accordingly.

### Compatible Parts




TE Part # 1053372-1  
 2062 8001 90,OSM JACK, QPL


### Also in the Series | AMP SMA




Battery Holders(1)



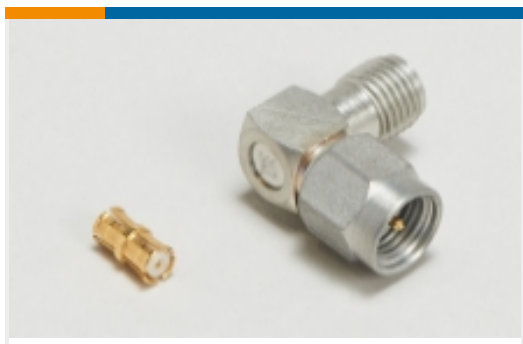
Between Series Adapters(3)



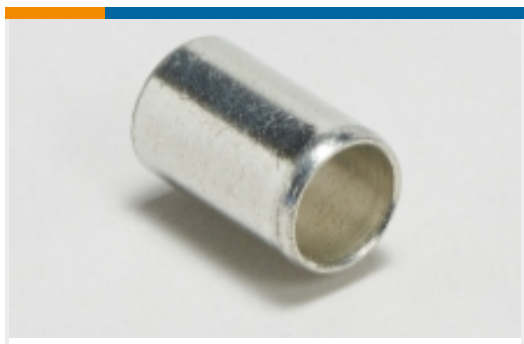
Coax Contacts(1)



Coax Terminators(1)



In-Series Adapters(35)



Rack & Panel Ferrules & Inserts(1)



RF Cable Assemblies(2)



RF Connector Hardware(2)



RF Connector Launchers(13)



RF Connector Shrouds(10)



RF Connectors(527)

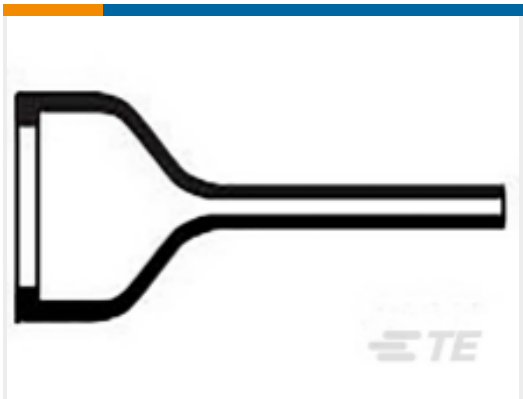
### Customers Also Bought



TE Part #814726-000  
Heat Shrink Boots: Non Lipped, Right Angle



TE Part #1969608-7  
7P VAL-U-LOK TPA 22-18 AWG



TE Part #880719-000  
Heat Shrink Boots: Lipped, Straight



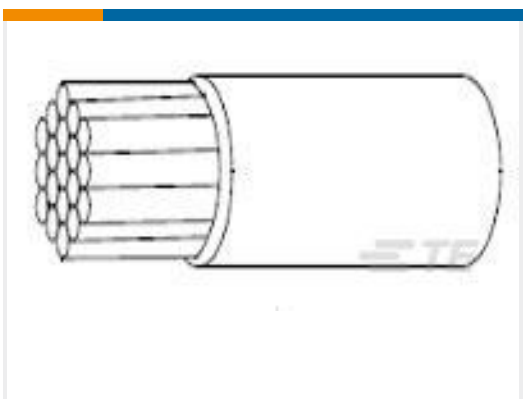
TE Part #YDTS26T09-98SAV001  
D38999: Straight Plug, 09-98 Insert



TE Part #3-1532186-1  
M83513/03-H14C, MCKS-C2-B-100P6G9-72.0



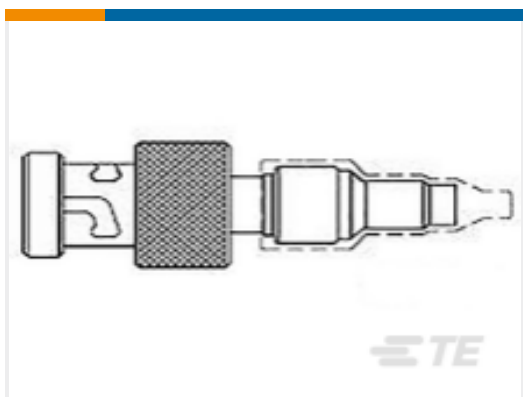
TE Part #6162-239-1277  
COAX KIT PIN



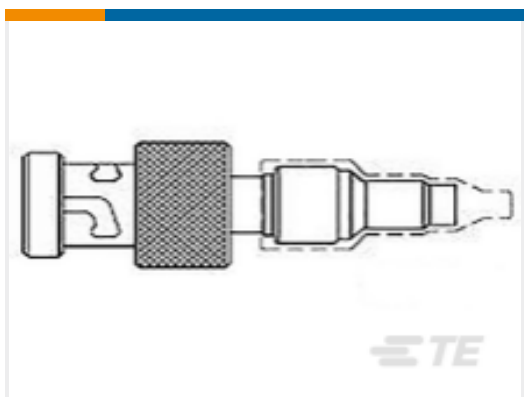
TE Part #418973-001  
22759/33-20-7



TE Part #3-1532183-0  
M83513/03-E14C, MCKS-C2-B-31P6G9-72.0



TE Part #582693-000  
DK-621-1640-4S



TE Part #986829-000  
DK-621-1638-3P

### Documents



### Product Drawings

[2001 8001 92](#)

English

---

### CAD Files

[3D PDF](#)

3D

Customer View Model

[ENG\\_CVM\\_CVM\\_1050774-1\\_E.2d\\_dxf.zip](#)

English

Customer View Model

[ENG\\_CVM\\_CVM\\_1050774-1\\_E.3d\\_igs.zip](#)

English

Customer View Model

[ENG\\_CVM\\_CVM\\_1050774-1\\_E.3d\\_stp.zip](#)

English

By downloading the CAD file I accept and agree to the [Terms and Conditions](#) of use.

---

### Datasheets & Catalog Pages

[Products for Aerospace and Defense](#)

English

---

### Instruction Sheets

[Instruction Sheet \(U.S.\)](#)

English