



Alcoswitch

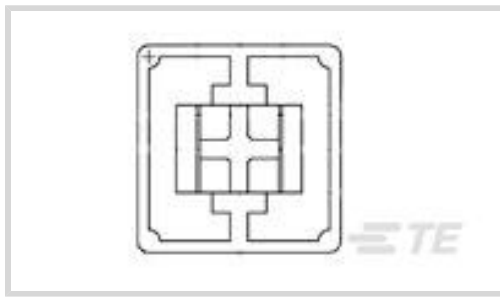
TE Internal #: 1571384-2

Switch Boots & Accessories, Key Cap, Command Series Square

Button Switches, Square Style, Orange

[View on TE.com >](#)

Relays, Contactors & Switches > Switches > Hardware & Seals



Switch Boot Accessory Type: **Key Cap**

Switch Boot & Accessory For Use With: **Command Series Square Button Switches**

Style: **Square**

Switch Boot & Accessory Color: **Orange**

**Features**

**Product Type Features**

Product Type	Accessory
Illuminated	No
Switch Boot Accessory Type	Key Cap
Style	Square

**Configuration Features**

Tactile	No
---------	----

**Body Features**

Cap Color	Orange
Switch Boot & Accessory Color	Orange

**Mechanical Attachment**

Attachment Method	Snap-Fit
-------------------	----------

**Housing Features**

Process Sealed	No
----------------	----

**Dimensions**

Cap Height	5.5 mm[.216 in]
------------	-----------------

**Operation/Application**

Switch Boot & Accessory For Use With	Command Series Square Button Switches
--------------------------------------	---------------------------------------

**Packaging Features**

Packaging Method	Loose Piece
------------------	-------------



## Product Compliance

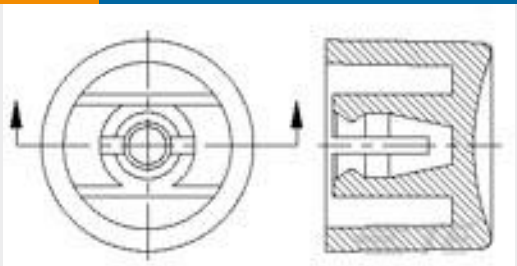
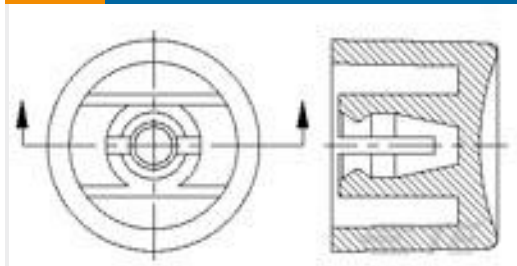


[For compliance documentation, visit the product page on TE.com>](#)

EU RoHS Directive 2011/65/EU	Compliant
EU ELV Directive 2000/53/EC	Compliant
China RoHS 2 Directive MIIT Order No 32, 2016	No Restricted Materials Above Threshold
EU REACH Regulation (EC) No. 1907/2006	Current ECHA Candidate List: JAN 2021 (211) Candidate List Declared Against: JAN 2019 (197) SVHC > Threshold: Not Yet Reviewed
Halogen Content	BFR/CFR/PVC Free, but Br/Cl >900 ppm in other sources.
Solder Process Capability	Not applicable for solder process capability

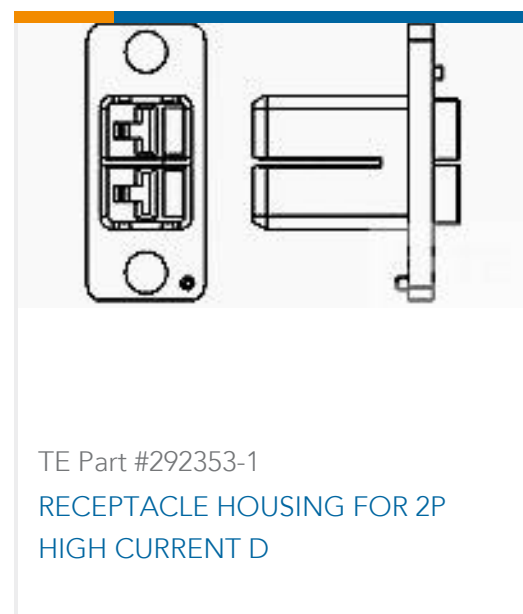
### Product Compliance Disclaimer

This information is provided based on reasonable inquiry of our suppliers and represents our current actual knowledge based on the information they provided. This information is subject to change. The part numbers that TE has identified as EU RoHS compliant have a maximum concentration of 0.1% by weight in homogenous materials for lead, hexavalent chromium, mercury, PBB, PBDE, DBP, BBP, DEHP, DIBP, and 0.01% for cadmium, or qualify for an exemption to these limits as defined in the Annexes of Directive 2011/65/EU (RoHS2). Finished electrical and electronic equipment products will be CE marked as required by Directive 2011/65/EU. Components may not be CE marked. Additionally, the part numbers that TE has identified as EU ELV compliant have a maximum concentration of 0.1% by weight in homogenous materials for lead, hexavalent chromium, and mercury, and 0.01% for cadmium, or qualify for an exemption to these limits as defined in the Annexes of Directive 2000/53/EC (ELV). Regarding the REACH Regulation, the information TE provides on SVHC in articles for this part number is based on the latest European Chemicals Agency (ECHA) 'Guidance on requirements for substances in articles' posted at this URL: <https://echa.europa.eu/guidance-documents/guidance-on-reach>

## Compatible Parts

 <p>TE Part # 1825068-1 C22004 CAP BLACK</p>	 <p>TE Part # 1825068-2 C22204 CAP RED</p>	 <p>TE Part # 1825068-5 C22504 CAP GREEN</p>	 <p>TE Part # 1825068-7 C22904 CAP WHITE .39 DIA.</p>
---	--	---	--

## Customers Also Bought



## Documents

### Product Drawings

CAP,ORANGE

English

### CAD Files

3D PDF

3D

Customer View Model

[ENG\\_CVM\\_CVM\\_1571384-2\\_G.2d\\_dxf.zip](#)

English

Customer View Model

[ENG\\_CVM\\_CVM\\_1571384-2\\_G.3d\\_igs.zip](#)

English

Customer View Model

[ENG\\_CVM\\_CVM\\_1571384-2\\_G.3d\\_stp.zip](#)

English

By downloading the CAD file I accept and agree to the [Terms and Conditions](#) of use.

### Datasheets & Catalog Pages



[SWITCHES\\_CORE\\_PROGRAM\\_CATALOG](#)

English