

225532-3 ✓ ACTIVE

AMP | AMP SMA

TE Internal #: 225532-3

AMP SMA, RF Connectors, SMA RF Interface, Plug, RF Connector

Mated Outer Diameter (Approximate) .354 in [8.99 mm], 50 Ω

[View on TE.com >](#)



Connectors > RF Coax Connectors > RF Connectors



RF Interface: **SMA**

RF Connector Style: **Plug**

RF Connector Mated Outer Diameter (Approximate): **8.99 mm [.354 in]**

Impedance: **50 Ω**

Compatible With RF Cable Type: **Belden 84142, RG 142, RG 142A, RG 142B, RG 400**

Features

Product Type Features

Connector Product Type	Connector Assembly
RF Interface	SMA
RF Connector Style	Plug
Compatible With RF Cable Type	Belden 84142, RG 142, RG 142A, RG 142B, RG 400
Connector & Contact Terminates To	Wire & Cable
Connector Seal Type	Interfacial Seal

Configuration Features

Number of Positions	1
Number of Coaxial Contacts	1

Electrical Characteristics

Impedance	50 Ω
-----------	------

Body Features

Cable Connector Orientation	Straight
Body Material	Stainless Steel
Body Material Finish	Passivated

Contact Features

RF Connector Center Contact Underplating Material	Nickel
RF Connector Contact Configuration	Not Captivated

Ferrule Plating Material	Tin-Lead
Crimp Type	Hex
Ferrule Material	Copper
RF Connector Center Contact Plating Material	Gold
RF Connector Center Contact Material	Brass

Termination Features

Termination Method to Wire & Cable	Crimp
------------------------------------	-------

Mechanical Attachment

Mating Retention Type	Safety Wire Holes
RF Connector Coupling Mechanism	Threaded
Connector Mounting Type	Cable Mount (Free-Hanging)
RF Contact Captivation Method	Mechanical

Dimensions

Product Length	26.17 mm[1.03 in]
RF Connector Mated Outer Diameter (Approximate)	8.99 mm[.354 in]

Usage Conditions

Operating Temperature Range	-65 – 165 °C[-85 – 329 °F]
-----------------------------	----------------------------

Operation/Application

Operating Frequency	18 GHz
---------------------	--------

Packaging Features

Packaging Method	Package
------------------	---------

Other

Grade	Military
Coupling Nut Plating Finish	Passivated
Coupling Nut Base Material	Stainless Steel
Military Category	B
Dielectric Material	PTFE

Product Compliance

For compliance documentation, visit the product page on [TE.com](#)>

EU RoHS Directive 2011/65/EU	Not Compliant
EU ELV Directive 2000/53/EC	Not Compliant

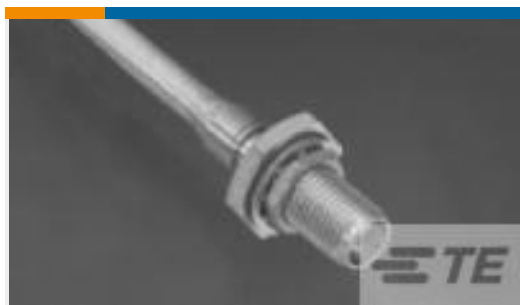


China RoHS 2 Directive MIIT Order No 32, 2016	Restricted Materials Above Threshold
EU REACH Regulation (EC) No. 1907/2006	Current ECHA Candidate List: JAN 2021 (211) Candidate List Declared Against: JAN 2021 (211) SVHC > Threshold: Pb (3.7% in base metal) Article Safe Usage Statements: Do not eat, drink or smoke when using this product. Wash thoroughly after handling. Recycle if possible and dispose of the article by following all applicable governmental regulations relevant to your geographic location.
Halogen Content	BFR/CFR/PVC Free, but Br/Cl >900 ppm in other sources.
Solder Process Capability	Not applicable for solder process capability

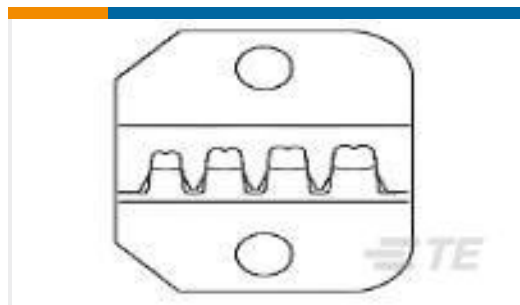
Product Compliance Disclaimer

This information is provided based on reasonable inquiry of our suppliers and represents our current actual knowledge based on the information they provided. This information is subject to change. The part numbers that TE has identified as EU RoHS compliant have a maximum concentration of 0.1% by weight in homogenous materials for lead, hexavalent chromium, mercury, PBB, PBDE, DBP, BBP, DEHP, DIBP, and 0.01% for cadmium, or qualify for an exemption to these limits as defined in the Annexes of Directive 2011/65/EU (RoHS2). Finished electrical and electronic equipment products will be CE marked as required by Directive 2011/65/EU. Components may not be CE marked. Additionally, the part numbers that TE has identified as EU ELV compliant have a maximum concentration of 0.1% by weight in homogenous materials for lead, hexavalent chromium, and mercury, and 0.01% for cadmium, or qualify for an exemption to these limits as defined in the Annexes of Directive 2000/53/EC (ELV). Regarding the REACH Regulation, the information TE provides on SVHC in articles for this part number is based on the latest European Chemicals Agency (ECHA) 'Guidance on requirements for substances in articles' posted at this URL: <https://echa.europa.eu/guidance-documents/guidance-on-reach>

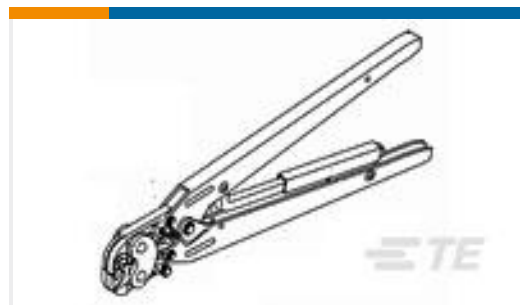
Compatible Parts



TE Part # 6086274-1
2234 7388 36



TE Part # 91908-1
PREM SDE DIE,SMA RG 188,58



TE Part # 220061-1
DAHT COAXICON RG188 RG58 C ASSY

Also in the Series | AMP SMA



Battery Holders(1)



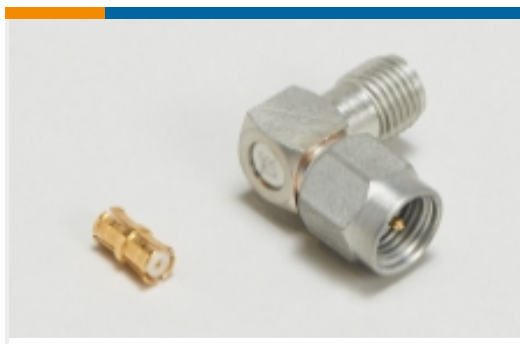
Between Series Adapters(3)



Coax Contacts(1)



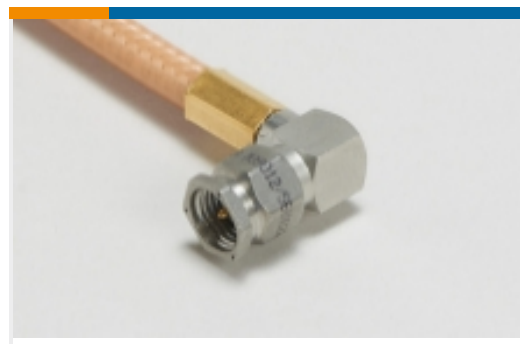
Coax Terminators(1)



In-Series Adapters(35)



Rack & Panel Ferrules & Inserts(1)



RF Cable Assemblies(2)



RF Connector Hardware(2)



RF Connector Launchers(13)



RF Connector Shrouds(10)

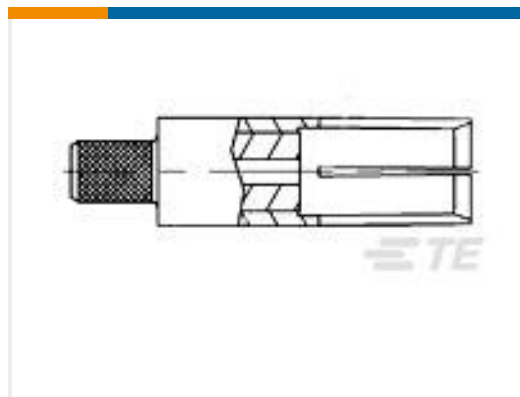


RF Connectors(527)

Customers Also Bought



TE Part #205843-1
CPC SERIES 2



TE Part #225791-2
COAXIAL RF SOCKET, SZ 5



TE Part #1841-1-5616
CONT PIN



TE Part #1841-1-5620
CONT PIN



TE Part #225554-6
TNC RT ANG PLUG DUAL W/P



TE Part #225555-6
TNC PLUG DUAL W/P TR



TE Part #2803-4-0000
CONT SOC ASSY



TE Part #2-331350-9
BNC PLUG



TE Part #2560-218-2031
CONT PIN



TE Part #ZPF000000000015271
DMC-M 12-20 SA

Documents



Product Drawings

[SMA PLUG FLEX](#)

English

[SMA PLUG FLEX](#)

English

[SMA PLUG FLEX](#)

English

CAD Files

[3D PDF](#)

3D

Customer View Model

[ENG_CVM_CVM_225532-3_AH.2d_dxf.zip](#)

English

Customer View Model

[ENG_CVM_CVM_225532-3_AH.3d_igs.zip](#)

English

Customer View Model

[ENG_CVM_CVM_225532-3_AH.3d_stp.zip](#)

English

By downloading the CAD file I accept and agree to the [Terms and Conditions](#) of use.

Datasheets & Catalog Pages

[DEUTSCH MIL-DTL-38999 CIRCULAR CONNECTORS](#)

English

Instruction Sheets

[Instruction Sheet \(U.S.\)](#)

English

[Instruction Sheet \(U.S.\)](#)

English

Agency Approvals

[UL Report](#)

English