

225551-6 ✓ ACTIVE

AMP | AMP TNC

TE Internal #: 225551-6

AMP TNC, RF Connectors, TNC RF Interface, Jack, RF Connector

Mated Outer Diameter (Approximate) .64 in [16.26 mm], 50 Ω

[View on TE.com >](#)



Connectors > RF Coax Connectors > RF Connectors



RF Interface: **TNC**

RF Connector Style: **Jack**

RF Connector Mated Outer Diameter (Approximate): **16.26 mm [ .64 in ]**

Impedance: **50 Ω**

Compatible With RF Cable Type: **RG 142, RG 142A, RG 142B**

## Features

### Product Type Features

RF Interface	TNC
RF Connector Style	Jack
Compatible With RF Cable Type	RG 142, RG 142A, RG 142B
Connector & Contact Terminates To	Wire & Cable
Connector Seal Type	Interfacial Seal

### Configuration Features

Number of Positions	1
Number of Coaxial Contacts	1

### Electrical Characteristics

Impedance	50 Ω
-----------	------

### Body Features

Body Shape	Circular
Cable Connector Orientation	Straight
Body Material	Brass
Body Material Finish	Plated
Body Plating Material	Silver

### Contact Features

RF Connector Center Contact Underplating Material	Copper
---	--------



Crimp Type	Dual
------------	------

RF Connector Center Contact Plating Material	Gold
--	------

RF Connector Center Contact Material	Brass
--------------------------------------	-------

#### Termination Features

Termination Method to Wire & Cable	Crimp
------------------------------------	-------

#### Mechanical Attachment

RF Connector Coupling Mechanism	Threaded
---------------------------------	----------

Connector Mounting Type	Cable Mount (Free-Hanging)
-------------------------	----------------------------

RF Contact Captivation Method	Mechanical
-------------------------------	------------

#### Dimensions

RF Connector Mated Outer Diameter (Approximate)	16.26 mm [.64 in]
---	-------------------

#### Usage Conditions

Operating Temperature Range	-55 – 125 °C [-67 – 257 °F]
-----------------------------	-----------------------------

#### Operation/Application

Operating Frequency	11 GHz
---------------------	--------

#### Packaging Features

Packaging Method	Carton
------------------	--------

#### Other

Grade	Military
-------	----------

Dielectric Material	PTFE
---------------------	------

#### Product Compliance

[For compliance documentation, visit the product page on TE.com>](#)

EU RoHS Directive 2011/65/EU	Compliant with Exemptions
------------------------------	---------------------------

EU ELV Directive 2000/53/EC	Compliant with Exemptions
-----------------------------	---------------------------

China RoHS 2 Directive MIIT Order No 32, 2016	Restricted Materials Above Threshold
---	--------------------------------------

EU REACH Regulation (EC) No. 1907/2006	<p>Current ECHA Candidate List: JAN 2021 (211)  Candidate List Declared Against: JAN 2019 (197)  SVHC &gt; Threshold:  Pb (4% in Contact/Component)</p>
--	---

##### Article Safe Usage Statements:

Do not eat, drink or smoke when using this product. Wash thoroughly after handling. Recycle if possible and dispose of the article by following all applicable governmental regulations relevant to your geographic location.

Halogen Content

Not Yet Reviewed for halogen content

Solder Process Capability

Not applicable for solder process capability

Product Compliance Disclaimer

This information is provided based on reasonable inquiry of our suppliers and represents our current actual knowledge based on the information they provided. This information is subject to change. The part numbers that TE has identified as EU RoHS compliant have a maximum concentration of 0.1% by weight in homogenous materials for lead, hexavalent chromium, mercury, PBB, PBDE, DBP, BBP, DEHP, DIBP, and 0.01% for cadmium, or qualify for an exemption to these limits as defined in the Annexes of Directive 2011/65/EU (RoHS2). Finished electrical and electronic equipment products will be CE marked as required by Directive 2011/65/EU. Components may not be CE marked. Additionally, the part numbers that TE has identified as EU ELV compliant have a maximum concentration of 0.1% by weight in homogenous materials for lead, hexavalent chromium, and mercury, and 0.01% for cadmium, or qualify for an exemption to these limits as defined in the Annexes of Directive 2000/53/EC (ELV). Regarding the REACH Regulation, the information TE provides on SVHC in articles for this part number is based on the latest European Chemicals Agency (ECHA) 'Guidance on requirements for substances in articles' posted at this URL: <https://echa.europa.eu/guidance-documents/guidance-on-reach>

### Compatible Parts

TE Part # 1-1337544-0  
BNC R/A Plg Hex 50Ohm Nickel Pltd RG58C/

TE Part # 220045-2  
DAHT COAXICON RG141 C ASSY

TE Part # 91902-1  
PREM SDE DIE,N SERIES RG 141

### Also in the Series | AMP TNC

Between Series Adapters(1)

RF Connector Caps(1)

RF Connectors(18)

### Customers Also Bought

TE Part #163082-2  
TYPE III CONTACTS LP EMEA

TE Part #163304-2  
MATENLOK SOCKET SDW

TE Part #1-480319-0  
02P CMNL CAP HSG NATL

TE Part #1-1478075-0  
BNC R/A Plg Hex 50Ohm Silver Pltd RG58C/



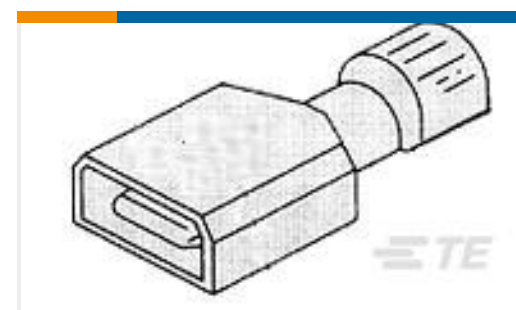
TE Part #1841-1-5620  
CONT PIN



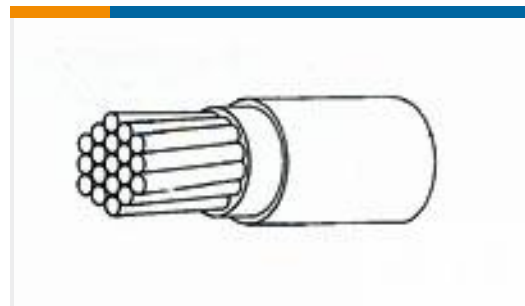
TE Part #1-322338-0  
DG 16-14 HT ALUMEL R 10



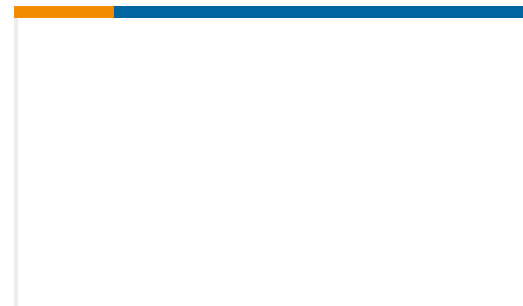
TE Part #100060-56  
CONT PIN



TE Part #2-520103-2  
ULTRA-FAST 250 ASSEMBLY TAB 22-18 AWG BR



TE Part #184523-000  
22759/43-10-9



TE Part #MS27488-22-2  
SEALING PLUG

## Documents

### Product Drawings

#### TNC JACK DUAL W/P

English

### CAD Files

#### 3D PDF

3D

#### Customer View Model

[ENG\\_CVM\\_CVM\\_225551-6\\_M\\_c-225551-6-m.2d\\_dxf.zip](#)

English

#### Customer View Model

[ENG\\_CVM\\_CVM\\_225551-6\\_M\\_c-225551-6-m.3d\\_igs.zip](#)

English

#### Customer View Model

[ENG\\_CVM\\_CVM\\_225551-6\\_M\\_c-225551-6-m.3d\\_stp.zip](#)

English

By downloading the CAD file I accept and agree to the [Terms and Conditions](#) of use.

### Datasheets & Catalog Pages

#### TNC Connectors

English

### Instruction Sheets

#### Instruction Sheet (U.S.)

English

#### COAXICON 50 OHM, R.F. Connectors Series TNC Jacks

English

225551-6

AMP TNC, RF Connectors, TNC RF Interface, Jack, RF Connector Mated Outer  
Diameter (Approximate) .64 in [16.26 mm], 50  $\Omega$

