



Relays, Contactors & Switches > Switches > Tactile Switches



Actuator Style: **Square**

Tactile Switch Mounting Angle: **Vertical**

Features

Product Type Features

Illuminated	With
Actuator Style	Square

Mechanical Attachment

Tactile Switch Mounting Angle	Vertical
-------------------------------	----------

Dimensions

Cap Height	3.9 mm
------------	--------

Usage Conditions

Temperature Rating	-40 – 85 °C
--------------------	-------------

Packaging Features

Packaging Method	Loose Piece
------------------	-------------

Product Compliance

[For compliance documentation, visit the product page on TE.com>](#)

EU RoHS Directive 2011/65/EU	Compliant
EU ELV Directive 2000/53/EC	Compliant
China RoHS 2 Directive MIIT Order No 32, 2016	No Restricted Materials Above Threshold
EU REACH Regulation (EC) No. 1907/2006	



Current ECHA Candidate List: JAN 2021
 (211)
 Candidate List Declared Against: JAN 2021
 (211)
 Does not contain REACH SVHC

Halogen Content	Not Yet Reviewed for halogen content
Solder Process Capability	Not reviewed for solder process capability

Product Compliance Disclaimer

This information is provided based on reasonable inquiry of our suppliers and represents our current actual knowledge based on the information they provided. This information is subject to change. The part numbers that TE has identified as EU RoHS compliant have a maximum concentration of 0.1% by weight in homogenous materials for lead, hexavalent chromium, mercury, PBB, PBDE, DBP, BBP, DEHP, DIBP, and 0.01% for cadmium, or qualify for an exemption to these limits as defined in the Annexes of Directive 2011/65/EU (RoHS2). Finished electrical and electronic equipment products will be CE marked as required by Directive 2011/65/EU. Components may not be CE marked. Additionally, the part numbers that TE has identified as EU ELV compliant have a maximum concentration of 0.1% by weight in homogenous materials for lead, hexavalent chromium, and mercury, and 0.01% for cadmium, or qualify for an exemption to these limits as defined in the Annexes of Directive 2000/53/EC (ELV). Regarding the REACH Regulation, the information TE provides on SVHC in articles for this part number is based on the latest European Chemicals Agency (ECHA) 'Guidance on requirements for substances in articles' posted at this URL: <https://echa.europa.eu/guidance-documents/guidance-on-reach>

Compatible Parts



TE Part # 2311402-1
 CAP, RD, ILLUMINATED TACT SWITCH, GREEN



TE Part # 2311402-2
 CAP, RD, ILLUMINATED TACT SWITCH, BLACK



TE Part # 2311402-3
 CAP, RD, ILLUMINATED TACT SWITCH, RED



TE Part # 2311402-4
 CAP, RD, ILLUMINATED TACT SWITCH, BLUE



TE Part # 2311402-5
 CAP, RD, ILLUMINATED TACT SWITCH, YELLOW



TE Part # 2311403-2
 CAP, SQ, ILLUMINATED TACT SWITCH, BLACK



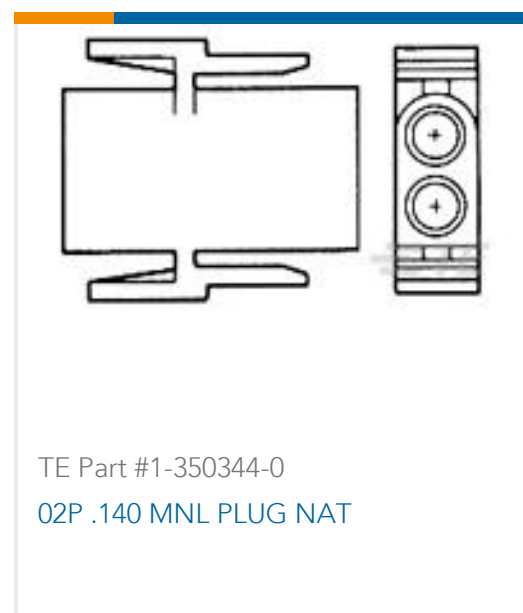
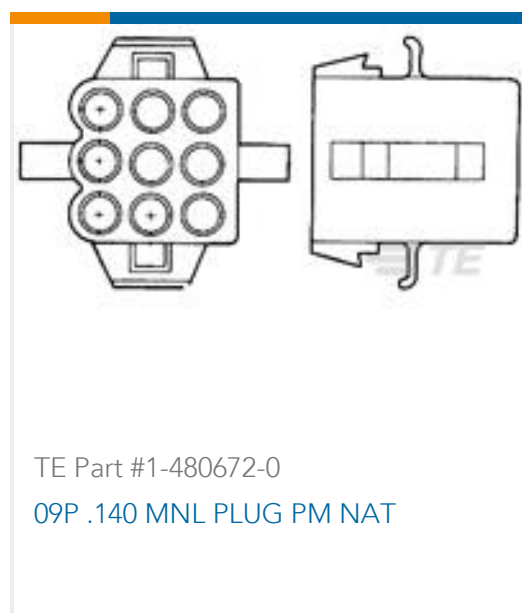
TE Part # 2311403-3
 CAP, SQ, ILLUMINATED TACT SWITCH, RED



TE Part # 2311403-4
 CAP, SQ, ILLUMINATED TACT SWITCH, BLUE



Customers Also Bought



Documents

Product Drawings

CAP, SQ, ILLUMINATED TACT SWITCH, GREEN

English

CAD Files

3D PDF

3D

Customer View Model

ENG_CVM_CVM_2311403-1_A.2d_dxf.zip



English

Customer View Model

[ENG_CVM_CVM_2311403-1_A.3d_igs.zip](#)

English

Customer View Model

[ENG_CVM_CVM_2311403-1_A.3d_stp.zip](#)

English

By downloading the CAD file I accept and agree to the [Terms and Conditions](#) of use.

Datasheets & Catalog Pages

[Illuminated Tactile Switch flyer](#)

English