

435238-1 ✓ ACTIVE

Alcoswitch | Alcoswitch DIP, Alcoswitch DIP 7000 & 7100

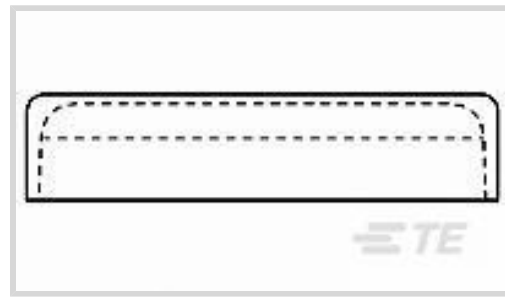
TE Internal #: 435238-1

Alcoswitch DIP, Switch Boots & Accessories, Protective Cover, DIP Switch, Rectangular Style, Natural

[View on TE.com >](#)



Relays, Contactors & Switches > Switches > Hardware & Seals



Switch Boot Accessory Type: **Protective Cover**

Switch Boot & Accessory For Use With: **DIP Switch**

Style: **Rectangular**

Switch Boot & Accessory Color: **Natural**

Features

Product Type Features

Product Type	Accessory
Switch Boot Accessory Type	Protective Cover
Style	Rectangular

Configuration Features

Number of Switches	4
--------------------	---

Body Features

Switch Boot & Accessory Color	Natural
-------------------------------	---------

Contact Features

Auto-Insertable	No
-----------------	----

Housing Features

Housing Color	Natural
Housing Material	Polyethylene

Operation/Application

Switch Boot & Accessory For Use With	DIP Switch
--------------------------------------	------------

Packaging Features

Packaging Method	Bag/Box
------------------	---------

Product Compliance

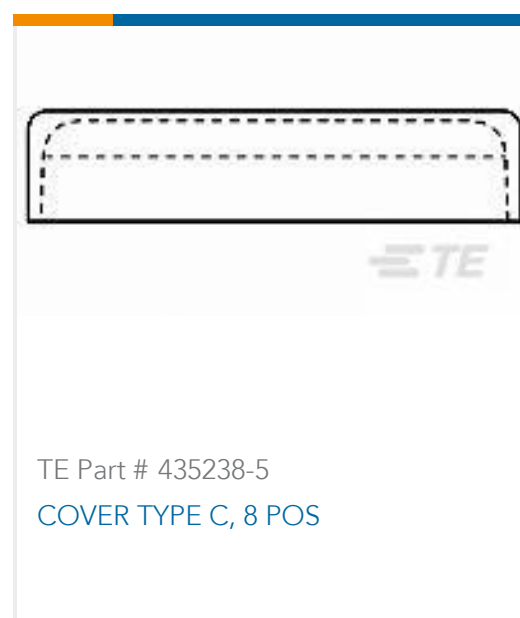
[For compliance documentation, visit the product page on TE.com>](#)

EU RoHS Directive 2011/65/EU	Compliant
EU ELV Directive 2000/53/EC	Compliant
China RoHS 2 Directive MIIT Order No 32, 2016	No Restricted Materials Above Threshold
EU REACH Regulation (EC) No. 1907/2006	Current ECHA Candidate List: JAN 2021 (211) Candidate List Declared Against: JUN 2020 (209) SVHC > Threshold: Not Yet Reviewed
Halogen Content	Low Halogen - Br, Cl, F, I < 900 ppm per homogenous material. Also BFR/CFR/PVC Free
Solder Process Capability	Not applicable for solder process capability

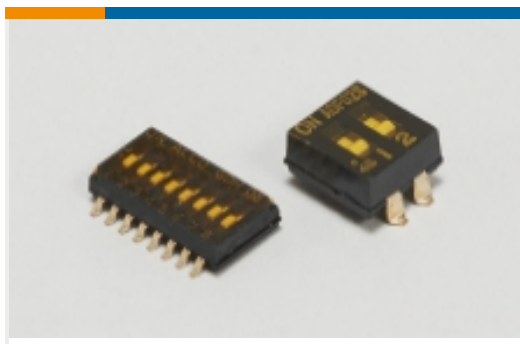
Product Compliance Disclaimer

This information is provided based on reasonable inquiry of our suppliers and represents our current actual knowledge based on the information they provided. This information is subject to change. The part numbers that TE has identified as EU RoHS compliant have a maximum concentration of 0.1% by weight in homogenous materials for lead, hexavalent chromium, mercury, PBB, PBDE, DBP, BBP, DEHP, DIBP, and 0.01% for cadmium, or qualify for an exemption to these limits as defined in the Annexes of Directive 2011/65/EU (RoHS2). Finished electrical and electronic equipment products will be CE marked as required by Directive 2011/65/EU. Components may not be CE marked. Additionally, the part numbers that TE has identified as EU ELV compliant have a maximum concentration of 0.1% by weight in homogenous materials for lead, hexavalent chromium, and mercury, and 0.01% for cadmium, or qualify for an exemption to these limits as defined in the Annexes of Directive 2000/53/EC (ELV). Regarding the REACH Regulation, the information TE provides on SVHC in articles for this part number is based on the latest European Chemicals Agency (ECHA) 'Guidance on requirements for substances in articles' posted at this URL: <https://echa.europa.eu/guidance-documents/guidance-on-reach>

Compatible Parts



Also in the Series | [Alcoswitch DIP](#)



DIP & SIP Switches(291)

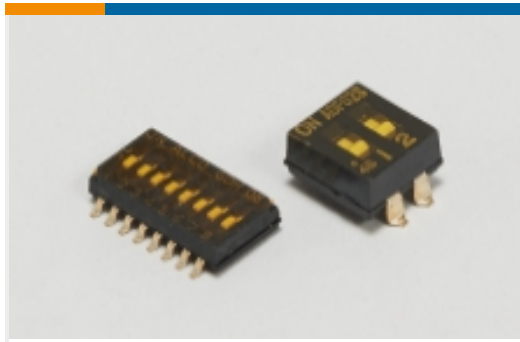


Rotary Switches(34)



Switch Boots & Accessories(1)

Also in the Series | **Alcoswitch DIP 7000 & 7100**



DIP & SIP Switches(56)



Switch Boots & Accessories(1)

Customers Also Bought



TE Part #2-1571552-8
DIP Socket: Standard, Stamped & Formed, Open, Gold



TE Part #2-382811-1
SHUNT, ECON, PHBRN, BLACK



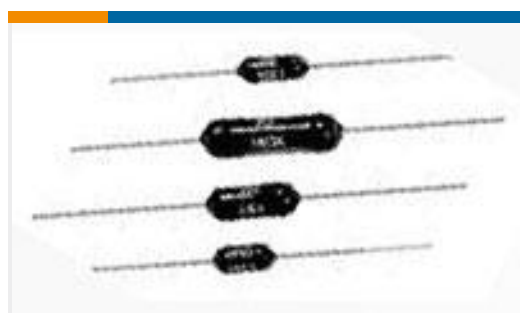
TE Part #1617120-8
J1MSW-6XP = M39016/10-019P



TE Part #T4110401021-000
M12 Field Installable Unshielded



TE Part #3-1393237-3
RTE24024F



TE Part #1-1879618-8
H8 680K 1% 15PPM



TE Part #1614350-5
RN 0603 115R 0.1% 10PPM CUT LENGTH



TE Part #1624247-1
RSS5 51K 5% LOOSE



TE Part #2-1571552-4
816-AG11D-ESL-LF=800 DIP,GF/SN



Documents

Product Drawings

[COVER TYPE C, 4 POS](#)

English

Product Specifications

[Application Specification](#)

English