



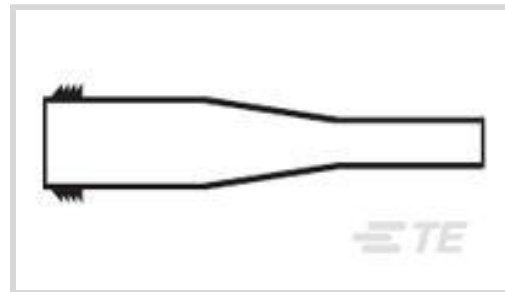
Raychem

TE Internal #: 013206-000

Cable Transitions & Breakouts, Adhesive Pre-Coat, Operating Temperature Range -20 – 60 °C [-4 – 140 °F], Occasional exposure to fluids, /42 Precoat

[View on TE.com >](#)

Wire Protection & Management > Heat Shrink Molded Shapes > Cable Transitions & Breakouts



Adhesive Pre-Coat: **Yes**

Operating Temperature Range: **-20 – 60 °C [-4 – 140 °F]**

Fluid/Chemical Resistance: **Occasional exposure to fluids**

Adhesive Options: **/42 Precoat**

## Features

### Body Features

Material	Polyolefin Flexible Modified
Adhesive Pre-Coat	Yes

### Dimensions

Inside Diameter Range (Body)	24 – 57 mm [.94 – 2.24 in]
Inside Diameter Range (Leg 1)	12 – 57 mm [.47 – 2.24 in]

### Usage Conditions

Operating Temperature Range	-20 – 60 °C [-4 – 140 °F]
-----------------------------	---------------------------

### Operation/Application

Power Cable Accessory	No
-----------------------	----

### Other

Fluid/Chemical Resistance	Occasional exposure to fluids
Adhesive Options	/42 Precoat

## Product Compliance

[For compliance documentation, visit the product page on TE.com>](#)

EU RoHS Directive 2011/65/EU	Compliant
EU ELV Directive 2000/53/EC	Compliant
China RoHS 2 Directive MIIT Order No 32, 2016	No Restricted Materials Above Threshold



EU REACH Regulation (EC) No. 1907/2006

Current ECHA Candidate List: JAN 2021 (211)

Candidate List Declared Against: JAN 2021 (211)

Does not contain REACH SVHC

Halogen Content

Low Halogen - Br, Cl, F, I < 900 ppm per homogenous material. Also BFR/CFR/PVC Free

Solder Process Capability

Not applicable for solder process capability

Product Compliance Disclaimer

This information is provided based on reasonable inquiry of our suppliers and represents our current actual knowledge based on the information they provided. This information is subject to change. The part numbers that TE has identified as EU RoHS compliant have a maximum concentration of 0.1% by weight in homogenous materials for lead, hexavalent chromium, mercury, PBB, PBDE, DBP, BBP, DEHP, DIBP, and 0.01% for cadmium, or qualify for an exemption to these limits as defined in the Annexes of Directive 2011/65/EU (RoHS2). Finished electrical and electronic equipment products will be CE marked as required by Directive 2011/65/EU. Components may not be CE marked. Additionally, the part numbers that TE has identified as EU ELV compliant have a maximum concentration of 0.1% by weight in homogenous materials for lead, hexavalent chromium, and mercury, and 0.01% for cadmium, or qualify for an exemption to these limits as defined in the Annexes of Directive 2000/53/EC (ELV). Regarding the REACH Regulation, the information TE provides on SVHC in articles for this part number is based on the latest European Chemicals Agency (ECHA) 'Guidance on requirements for substances in articles' posted at this URL: <https://echa.europa.eu/guidance-documents/guidance-on-reach>

## Compatible Parts

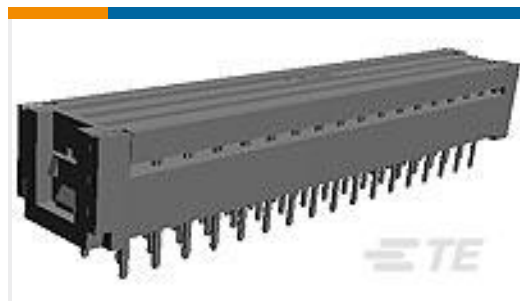


TE Part # CJ2087-000  
HL2010E-KIT-120V

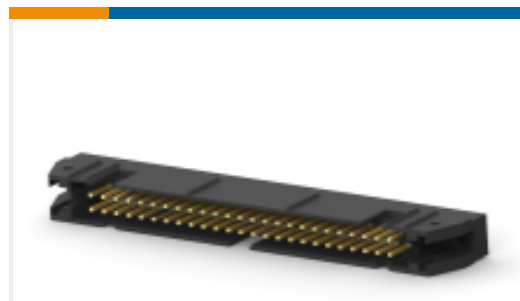
## Customers Also Bought



TE Part #1-1658621-0  
50 NOVO MIL/CTR 15DP, LEAD FREE



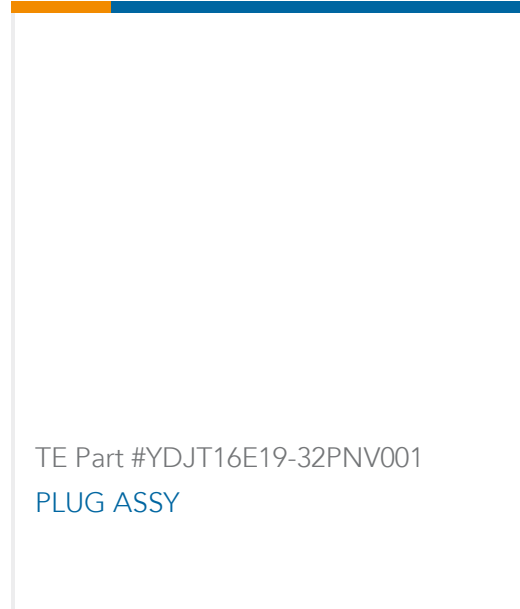
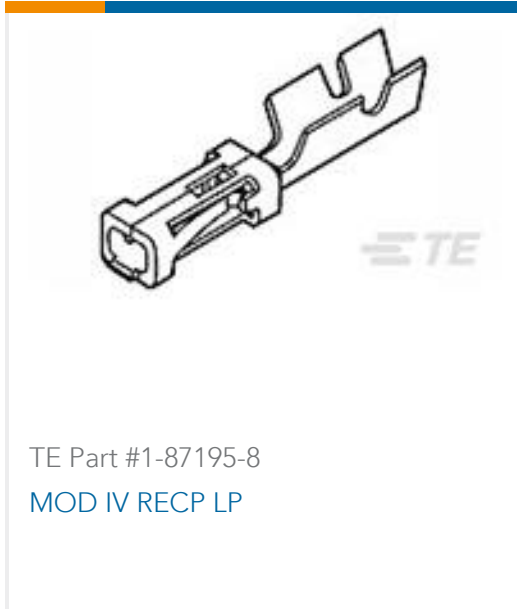
TE Part #1-5111595-5  
080 ASSY SYS 50 PADDLEBOARD



TE Part #1-102159-0  
AMP-LATCH UNIVERSAL HEADERS



TE Part #1-5066683-0  
D-Sub Conn Contacts: Socket, Phosphor Bronze, Signal, Size 20



## Documents

### Product Drawings

[QFT3-130/42-0](#)

English

### Datasheets & Catalog Pages

[Raychem Molded Parts Visual Guide](#)

English

### Product Environmental Compliance

[Safety Datasheet](#)

German

[Safety Datasheet](#)

English

[Safety Datasheet](#)

English

[Safety Datasheet](#)

[Safety Datasheet](#)

French

[Safety Datasheet](#)

[Safety Datasheet](#)

[Safety Datasheet](#)