

W28-XQ1A-0.25 ✓ ACTIVE

Potter & Brumfield | Potter & Brumfield W28

TE Internal #: 1-1393250-9

Potter & Brumfield W28, Circuit Breakers, Thermal, Series Trip, Black Button Color, 250VAC Voltage Rating AC, 32VDC Voltage Rating DC

[View on TE.com >](#)



Relays, Contactors & Switches > Circuit Breakers



Circuit Breaker Type: **Thermal**

Circuit Function: **Series Trip**

Illuminated: **No**

Button Color: **Black**

Voltage Rating AC: **250 VAC**

Features

Product Type Features

Circuit Breaker Style	Fuse Holder Type
Illumination Type	No Light
Product Type	Circuit Breaker
Actuator Type	Push to Reset
Circuit Breaker Type	Thermal
Illuminated	No

Configuration Features

Earthing Switch	Without
Circuit Function	Series Trip

Electrical Characteristics

Voltage Rating AC	250 VAC
Voltage Rating DC	32 VDC
Circuit Breaker Current Rating	.25 A
Interrupt Capacity	1000A @ 250VAC/32VDC

Body Features

Bezel Color	Black with White Rate Marking
Button Color	Black

Contact Features



Pole Configuration	1
Trip Time at 200%	4.5 – 28 seconds

Termination Features

Circuit Breaker Termination Type	6.35 [.25] Straight Quick Connect Tab
----------------------------------	---------------------------------------

Mechanical Attachment

Mounting Options	Snap-In Panel Mount
Mounting Bushing	None
Circuit Breaker Mounting Type	Panel Mount

Dimensions

Panel Thickness	.81 – 1.57 mm [.032 – .062 in]
-----------------	--------------------------------

Product Compliance

[For compliance documentation, visit the product page on TE.com>](#)

EU RoHS Directive 2011/65/EU	Compliant with Exemptions
EU ELV Directive 2000/53/EC	Not Compliant
China RoHS 2 Directive MIIT Order No 32, 2016	Restricted Materials Above Threshold
EU REACH Regulation (EC) No. 1907/2006	Current ECHA Candidate List: JAN 2021 (211) Candidate List Declared Against: JAN 2021 (211) SVHC > Threshold: Cadmium oxide (7.95% in Component) Article Safe Usage Statements: Use personal protective equipment as required. Do not eat, drink or smoke when using this product. Recycle if possible and dispose of the article by following all applicable governmental regulations relevant to your geographic location.
Halogen Content	Not Low Halogen - contains Br or Cl > 900 ppm.
Solder Process Capability	Not applicable for solder process capability

Product Compliance Disclaimer

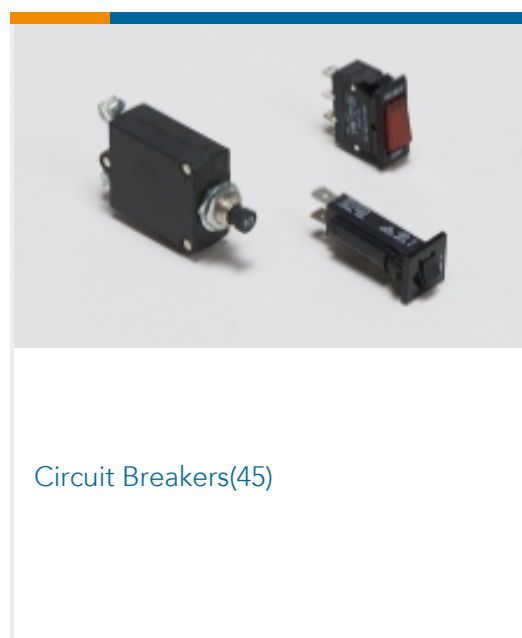
This information is provided based on reasonable inquiry of our suppliers and represents our current actual knowledge based on the information they provided. This information is subject to change. The part numbers that TE has identified as EU RoHS compliant have a maximum concentration of 0.1% by weight in homogenous materials for lead, hexavalent chromium, mercury, PBB, PBDE, DBP, BBP, DEHP, DIBP, and 0.01% for cadmium, or qualify for an exemption to these limits as defined in the Annexes of Directive 2011/65/EU (RoHS2). Finished electrical and electronic equipment products will be CE marked as required by Directive 2011/65/EU. Components may not be CE marked. Additionally, the part numbers that TE has identified as EU ELV compliant have a maximum concentration of 0.1% by weight in homogenous materials for lead, hexavalent chromium, and mercury, and 0.01% for cadmium, or qualify for an exemption to these limits as defined in the Annexes of Directive 2000/53/EC (ELV). Regarding the REACH Regulation, the information TE provides on SVHC in articles for this part number is based on the latest European Chemicals Agency (ECHA) 'Guidance on requirements for substances in articles' posted at this URL: <https://echa.europa.eu/guidance-documents/guidance-on-reach>



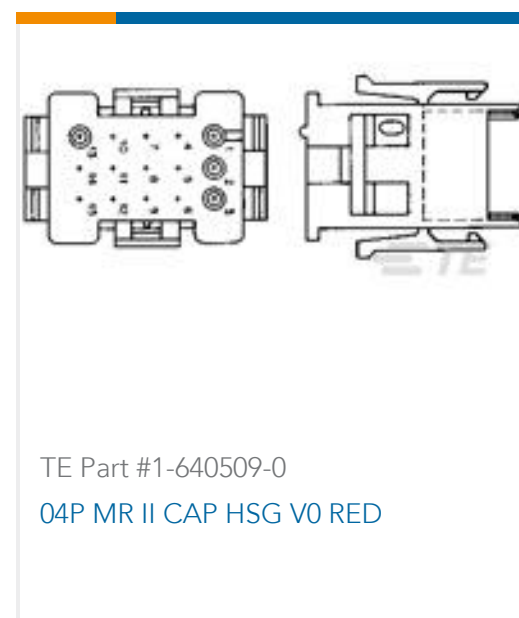
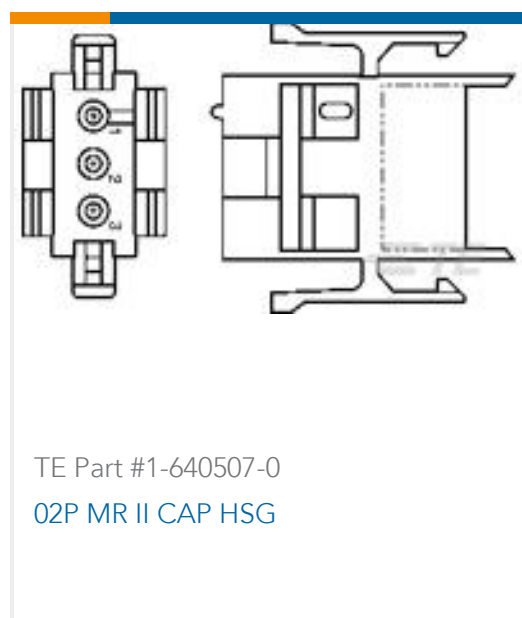
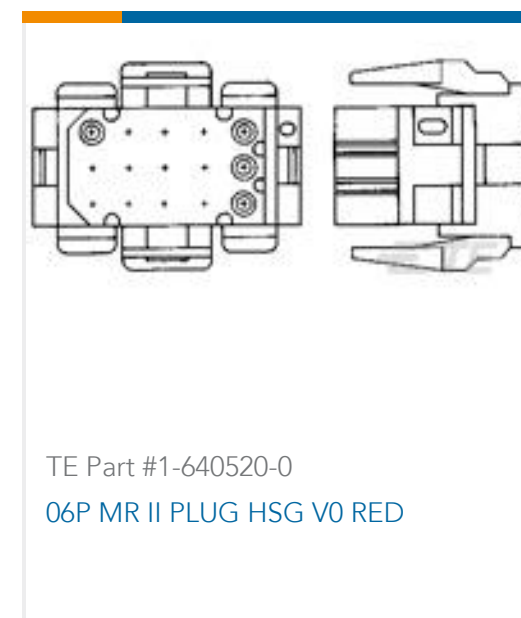
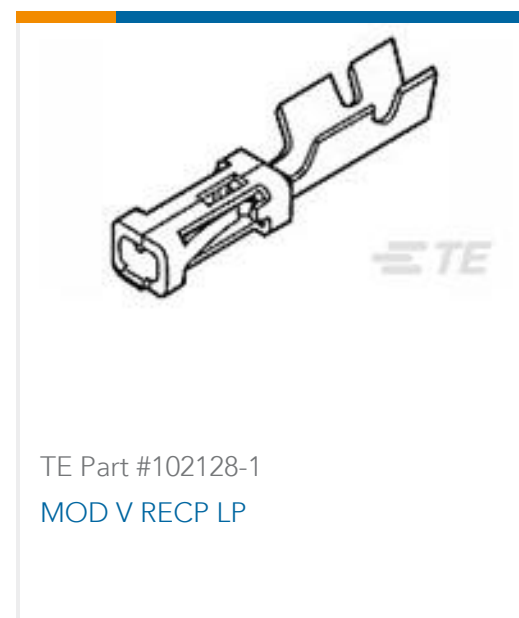
Compatible Parts



Also in the Series | Potter & Brumfield W28



Customers Also Bought





Documents

CAD Files

Customer View Model

[ENG_CVM_1-1393250-9_0706.2d_dxf.zip](#)

English

3D PDF

English

Customer View Model

[ENG_CVM_1-1393250-9_0706.3d_igs.zip](#)

English

Customer View Model

[ENG_CVM_1-1393250-9_0706.3d_stp.zip](#)

English

By downloading the CAD file I accept and agree to the [Terms and Conditions](#) of use.

Datasheets & Catalog Pages

W28 Push to Reset Fuseholder-Type Thermal Circuit Breaker

English

Industrial Relays Quick Reference Guide

English

Industrial Relays Quick Reference Guide

Japanese

Industrial Relays Quick Reference Guide

Agency Approvals

UL

English