

V23100V4024A 1 ✓ ACTIVE

Axicom | Axicom Reed Relay V23100 -V4

TE Internal #: 1-1393763-5

Axicom Reed Relay V23100 -V4, Power Relays, Standard, 288mW
Coil Power Rating DC, 2000Ω Coil Resistance, 24VDC Coil Voltage
Rating

[View on TE.com >](#)



Relays, Contactors & Switches > Relays > Power Relays



Power Relay Type: **Standard**

Coil Power Rating DC: **288 mW**

Coil Resistance: **2000 Ω**

Coil Voltage Rating: **24 VDC**

Contact Arrangement: **1 Form A (NO)**

Features

Product Type Features

Power Relay Type	Standard
------------------	----------

Electrical Characteristics

Coil Power Rating DC	288 mW
Coil Resistance	2000 Ω
Coil Voltage Rating	24 VDC
Contact Switching Voltage (Max)	100 VDC

Contact Features

Contact Arrangement	1 Form A (NO)
Contact Current Rating (Max)	.5 A
Contact Material	Ruthenium
Contact Number of Poles	2
Terminal Type	PCB-THT

Mechanical Attachment

Relay Mounting Type	Printed Circuit Board
---------------------	-----------------------

Product Compliance

[For compliance documentation, visit the product page on TE.com>](#)

EU RoHS Directive 2011/65/EU	Compliant
------------------------------	-----------



EU ELV Directive 2000/53/EC	Compliant
China RoHS 2 Directive MIIT Order No 32, 2016	No Restricted Materials Above Threshold
EU REACH Regulation (EC) No. 1907/2006	Current ECHA Candidate List: JAN 2021 (211) Candidate List Declared Against: JAN 2021 (211) Does not contain REACH SVHC
Halogen Content	Low Halogen - Br, Cl, F, I < 900 ppm per homogenous material. Also BFR/CFR/PVC Free
Solder Process Capability	Wave solder capable to 265°C

Product Compliance Disclaimer

This information is provided based on reasonable inquiry of our suppliers and represents our current actual knowledge based on the information they provided. This information is subject to change. The part numbers that TE has identified as EU RoHS compliant have a maximum concentration of 0.1% by weight in homogenous materials for lead, hexavalent chromium, mercury, PBB, PBDE, DBP, BBP, DEHP, DIBP, and 0.01% for cadmium, or qualify for an exemption to these limits as defined in the Annexes of Directive 2011/65/EU (RoHS2). Finished electrical and electronic equipment products will be CE marked as required by Directive 2011/65/EU. Components may not be CE marked. Additionally, the part numbers that TE has identified as EU ELV compliant have a maximum concentration of 0.1% by weight in homogenous materials for lead, hexavalent chromium, and mercury, and 0.01% for cadmium, or qualify for an exemption to these limits as defined in the Annexes of Directive 2000/53/EC (ELV). Regarding the REACH Regulation, the information TE provides on SVHC in articles for this part number is based on the latest European Chemicals Agency (ECHA) 'Guidance on requirements for substances in articles' posted at this URL: <https://echa.europa.eu/guidance-documents/guidance-on-reach>

Compatible Parts



TE Part # 3-1393763-9
V23100V4324B010

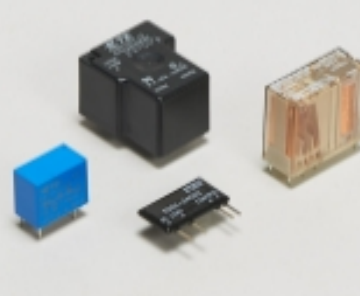


TE Part # 3-1393763-8
V23100V4324B000

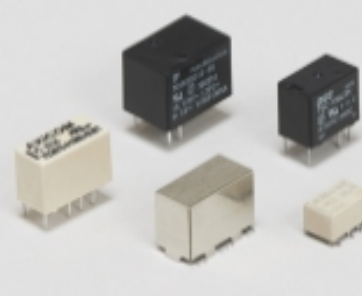


TE Part # 1393803-7
V23100V6003A101

Also in the Series | Axicom Reed Relay V23100 -V4



Power Relays(7)



Signal Relays(43)

Customers Also Bought



TE Part #1-2213755-3
REFLOW UNIVERSAL MATE-N-LOK CONNECTORS



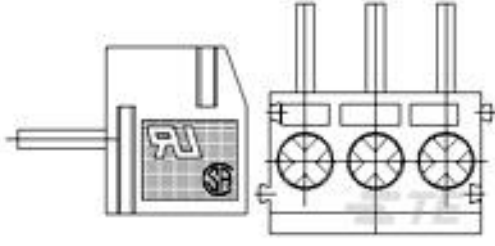
TE Part #YDTS20F09-35SEC001
D38999: Square Flange, 9-35 insert



TE Part #226781-3
ARINC SIZE 15 SOCKET



TE Part #1-1744418-6
16 POS EP 2.5 HDR, GLOW WIRE




TE Part #1776253-8
R/A Top Wire Entry, 3.5mm, HT,



TE Part #1969591-5
HSG,REC,PANEL MOUNT,GWT,
SINGLE ROW,EP2.5



TE Part #1969591-9
HSG,REC,PANEL MOUNT,GWT,
SINGLE ROW,EP2.5



TE Part #2-57748-0
Madison Spec 100-7178 Rev. 2



TE Part #2007815-3
IMP100S,H,V4P10C,RG,LEW39,5.5



TE Part #3-1856387-5
PGC 2,5-4 Bleu

Documents

CAD Files

[3D PDF](#)

[3D](#)

[Customer View Model](#)

[ENG_CVM_CVM_1-1393763-5_A.2d_dxf.zip](#)

English

[Customer View Model](#)

[ENG_CVM_CVM_1-1393763-5_A.3d_igs.zip](#)

English

[Customer View Model](#)

[ENG_CVM_CVM_1-1393763-5_A.3d_stp.zip](#)

English

By downloading the CAD file I accept and agree to the [Terms and Conditions](#) of use.

Datasheets & Catalog Pages

[Industrial Relays Quick Reference Guide](#)

English



Industrial Relays Quick Reference Guide

Japanese

Industrial Relays Quick Reference Guide

Product Specifications

Product Specification

English

Definitions, Handling, Processing, Testing and Use of Relays

English