

7012OK ✓ ACTIVE

Agastat

TE Internal #: 1-1423159-6

Time Delay Relays, Knob, 24VDC Time Delay Relay Input Voltage,
10A@240VACA Time Delay Relay Contact Current Rating, On-Delay

[View on TE.com >](#)



Relays, Contactors & Switches > Relays > Time Delay Relays



Type of Control: **Knob**

Time Delay Relay Input Voltage: **24 VDC**

Time Delay Relay Contact Current Rating: **10A@240VAC A**

Mode of Operation: **On-Delay**

Delay Time: **1 – 300 seconds**

Features

Product Type Features

Product Type	Relay
Relay Type	Time Delay
Product Category	Electromechanical Relays
Magnetic Blow-Out Device	Without

Configuration Features

Multiple Timing Ranges	Without
------------------------	---------

Electrical Characteristics

Actuating System	DC
Time Delay Relay Input Voltage	24 VDC

Contact Features

Contact Arrangement	2 Form C, DPDT, 2 C/O
Type of Control	Knob
Time Delay Relay Contact Current Rating	10A@240VAC A
Delay Time	1 – 300 seconds

Termination Features

Termination Type	Screw Terminals
------------------	-----------------

Mechanical Attachment

Time Delay Relay Mounting Type	Mounting Bracket
--------------------------------	------------------

Dimensions

Dimensions (L x W x H) (Approximate)	114.8 x 65.3 x 71.9 mm[4.523 x 2.572 x 2.832 in]
--------------------------------------	--

Usage Conditions

Operating Temperature Range	-30 – 75 °C
-----------------------------	-------------

Operation/Application

Mode of Operation	On-Delay
-------------------	----------

Other

Repeatability (Max)	±10%
---------------------	------

Product Compliance

[For compliance documentation, visit the product page on TE.com>](#)

EU RoHS Directive 2011/65/EU	Not Compliant
EU ELV Directive 2000/53/EC	Not Compliant
China RoHS 2 Directive MIIT Order No 32, 2016	Restricted Materials Above Threshold
EU REACH Regulation (EC) No. 1907/2006	Current ECHA Candidate List: JAN 2021 (211) Candidate List Declared Against: JAN 2021 (211) Does not contain REACH SVHC
Halogen Content	Not Yet Reviewed for halogen content
Solder Process Capability	Not applicable for solder process capability

Product Compliance Disclaimer

This information is provided based on reasonable inquiry of our suppliers and represents our current actual knowledge based on the information they provided. This information is subject to change. The part numbers that TE has identified as EU RoHS compliant have a maximum concentration of 0.1% by weight in homogenous materials for lead, hexavalent chromium, mercury, PBB, PBDE, DBP, BBP, DEHP, DIBP, and 0.01% for cadmium, or qualify for an exemption to these limits as defined in the Annexes of Directive 2011/65/EU (RoHS2). Finished electrical and electronic equipment products will be CE marked as required by Directive 2011/65/EU. Components may not be CE marked. Additionally, the part numbers that TE has identified as EU ELV compliant have a maximum concentration of 0.1% by weight in homogenous materials for lead, hexavalent chromium, and mercury, and 0.01% for cadmium, or qualify for an exemption to these limits as defined in the Annexes of Directive 2000/53/EC (ELV). Regarding the REACH Regulations, TE's information on SVHC in articles for this part number is still based on the European Chemical Agency (ECHA) 'Guidance on requirements for substances in articles' (Version: 2, April 2011), applying the 0.1% weight on weight concentration threshold at the finished product level. TE is aware of the European Court of Justice ruling of September 10th, 2015 also known as O5A (Once An Article Always An Article) stating that, in case of 'complex object', the threshold for a SVHC must be applied to both the product as a whole and simultaneously to each of the articles forming part of its composition. TE has evaluated this ruling based on the new ECHA "Guidance on requirements for substances in articles" (June 2017, version 4.0) and will be updating its statements accordingly.

Compatible Parts



TE Part # 2-1423157-4
7012AK=RLY,STD,ON,2P,120VAC,30

Customers Also Bought



TE Part #200333-8
TYPE II CONTACTS



TE Part #330966
TERMINAL,T-N R, 4 HD 1/4



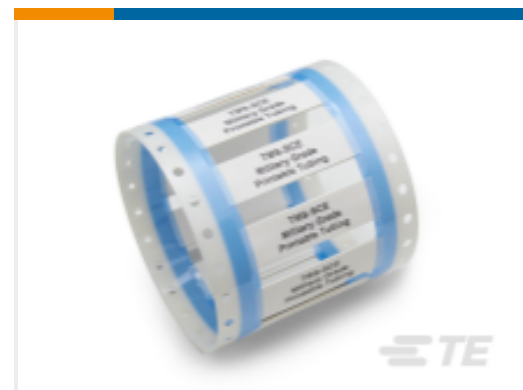
TE Part #1618067-7
20-050-19PX=WILMAR FREQUENCY R



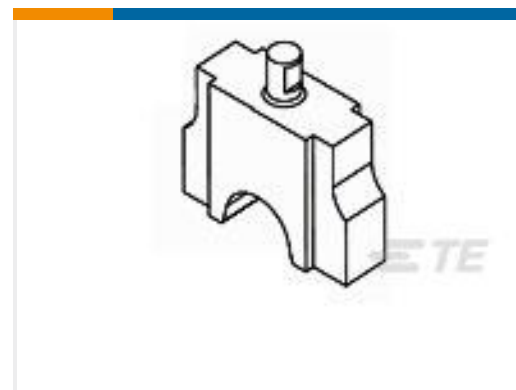
TE Part #3-1825136-2
A101SD9AB04



TE Part #328158
AMPOWER TERMINAL 1 STUD HOLE



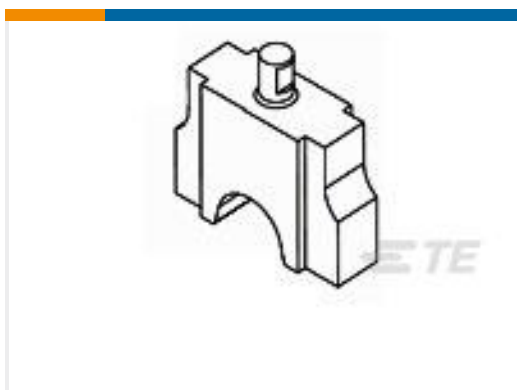
TE Part #CC0072-000
TMS-SCE-2X MILITARY GRADE SLEEVES



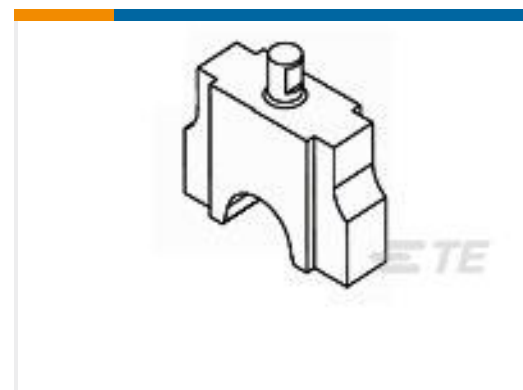
TE Part #1901001-1
NEST #8



TE Part #1437623-9
KS900B1/4=KNOB BLK W/SKIRT 1/4



TE Part #1901000-1
NEST #6



TE Part #1901002-2
INDENTER, SOLISTRAND

Documents

Product Drawings

7012OK=RLY,STD,ON,2P,24VDC,30

English

Datasheets & Catalog Pages

5-1773450-5_sec12_7000

English

7012OK

Time Delay Relays, Knob, 24VDC Time Delay Relay Input Voltage, 10A@240VACA
Time Delay Relay Contact Current Rating, On-Delay

